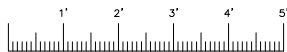
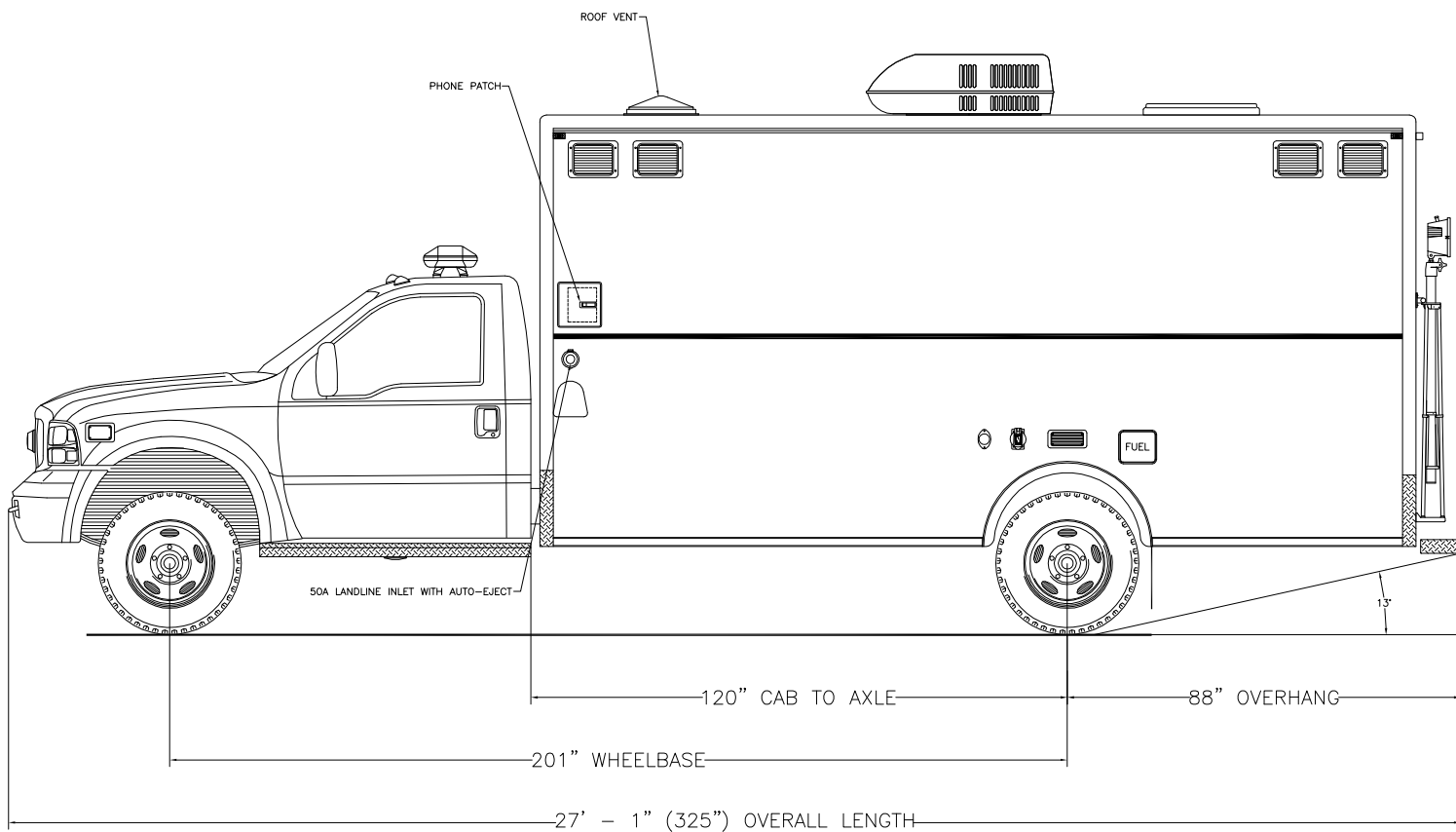


**EMERGENCY VEHICLES, INC.**

*Monroe County Sheriff's Department  
Monroe County, New York*

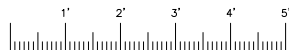
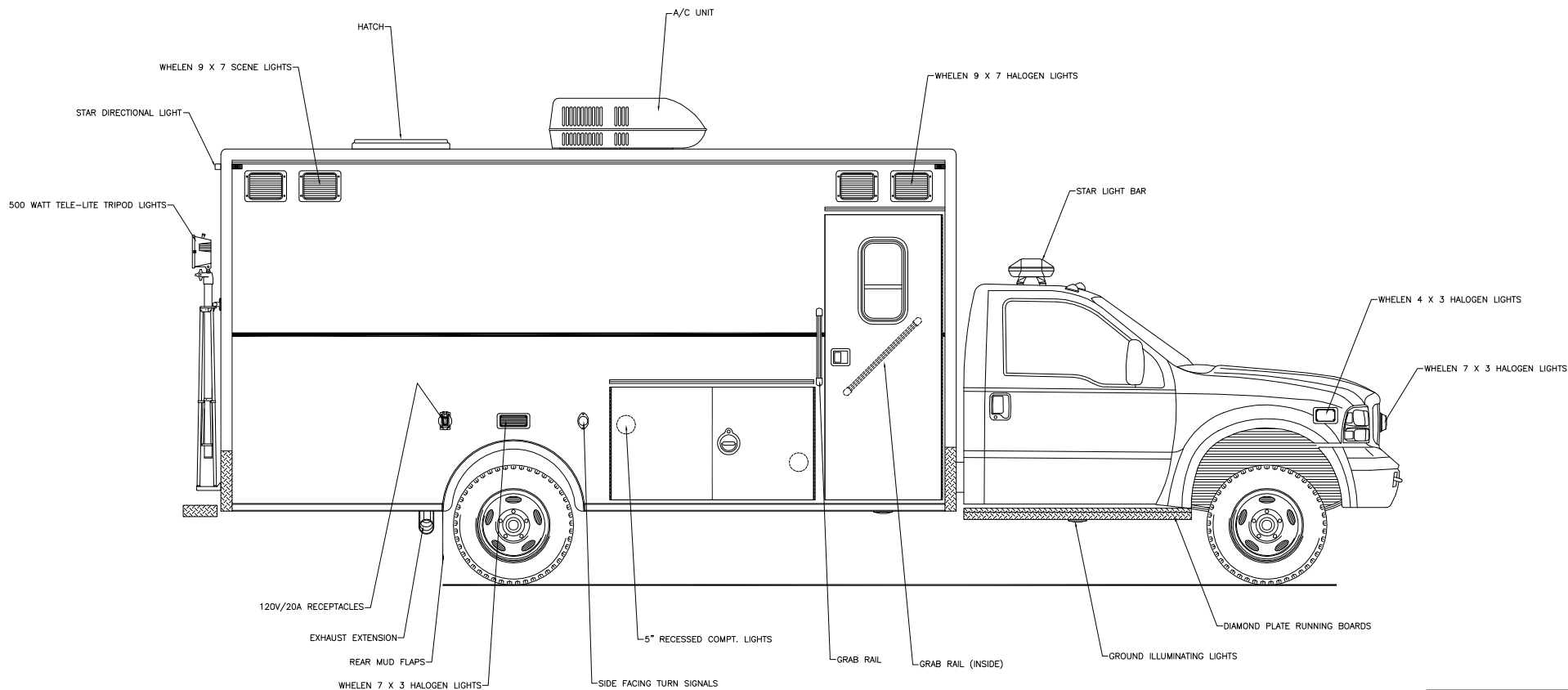


*Streetside Overall*

THESE DESIGN/ENGINEERING DRAWING(S) ARE THE PROPERTY OF EMERGENCY VEHICLES, INC. THEY ARE PROPRIETARY, AND ARE FOR THE EXCLUSIVE USE OF YOUR ENTITY. ANY DIVULGING OF THIS DATA TO A THIRD PARTY IS PROHIBITED.

*[Signature]* DATE: 06/09/06

|            |               |
|------------|---------------|
| REVISION 1 | NS - 01/31/07 |
| REVISION 2 | NS - 02/27/07 |
| REVISION 3 | -             |
| REVISION 4 | -             |
| REVISION 5 | -             |



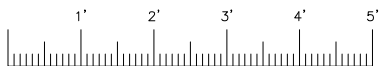
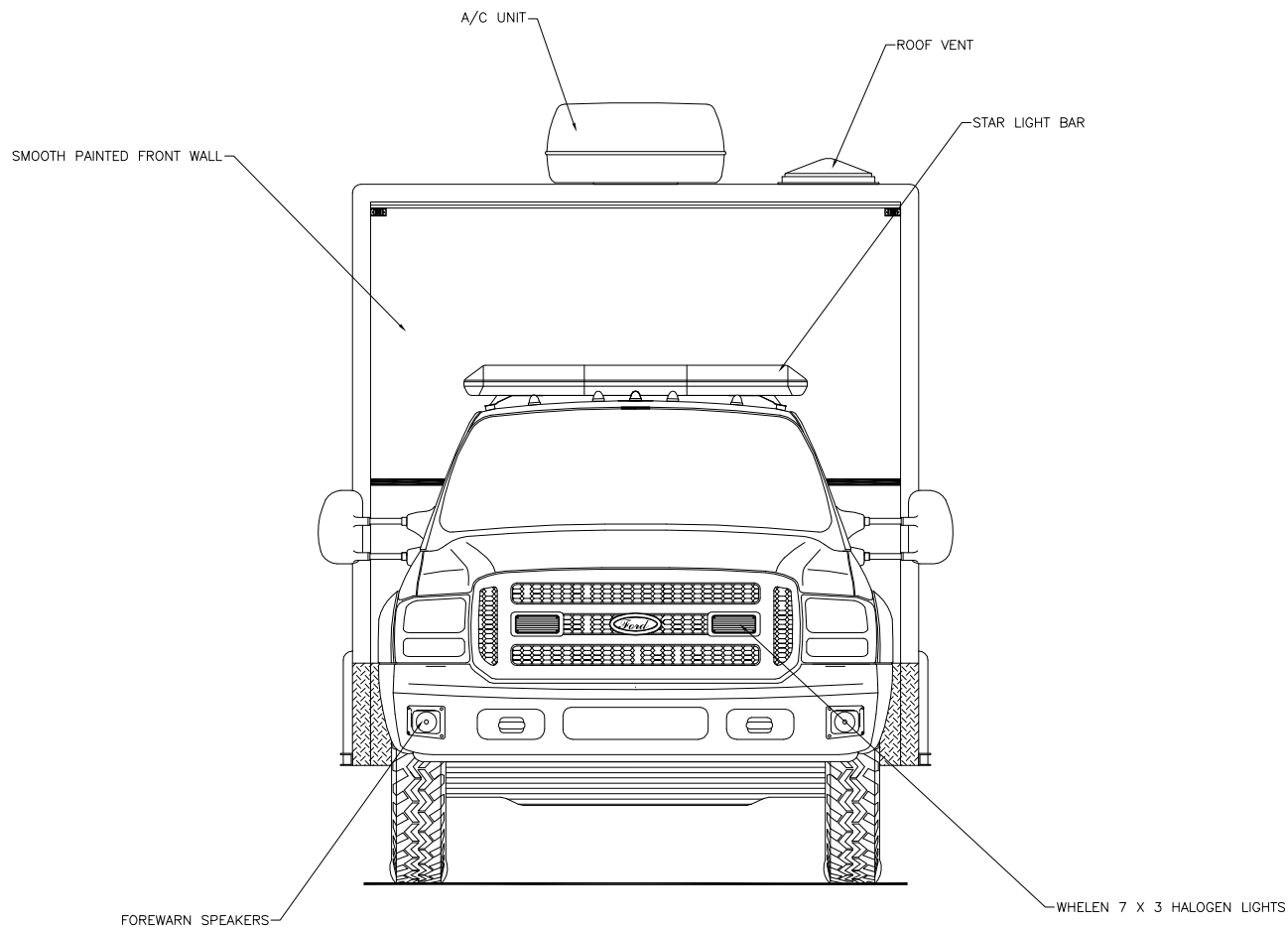
*Curbside Overall*

THESE DESIGN/ENGINEERING DRAWING(S) ARE THE PROPERTY OF EMERGENCY VEHICLES, INC. THEY ARE PROPRIETARY, AND ARE FOR THE EXCLUSIVE USE OF YOUR ENTITY. ANY DIVULGING OF THIS DATA TO A THIRD PARTY IS PROHIBITED.

|            |    |                |
|------------|----|----------------|
|            |    | DATE: 06/09/06 |
| REVISION 1 | NS | - 01/31/07     |
| REVISION 2 | NS | - 02/27/07     |
| REVISION 3 | -  |                |
| REVISION 4 | -  |                |
| REVISION 5 | -  |                |

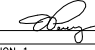
**EMERGENCY VEHICLES, INC.**

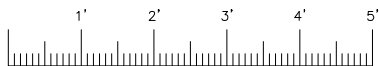
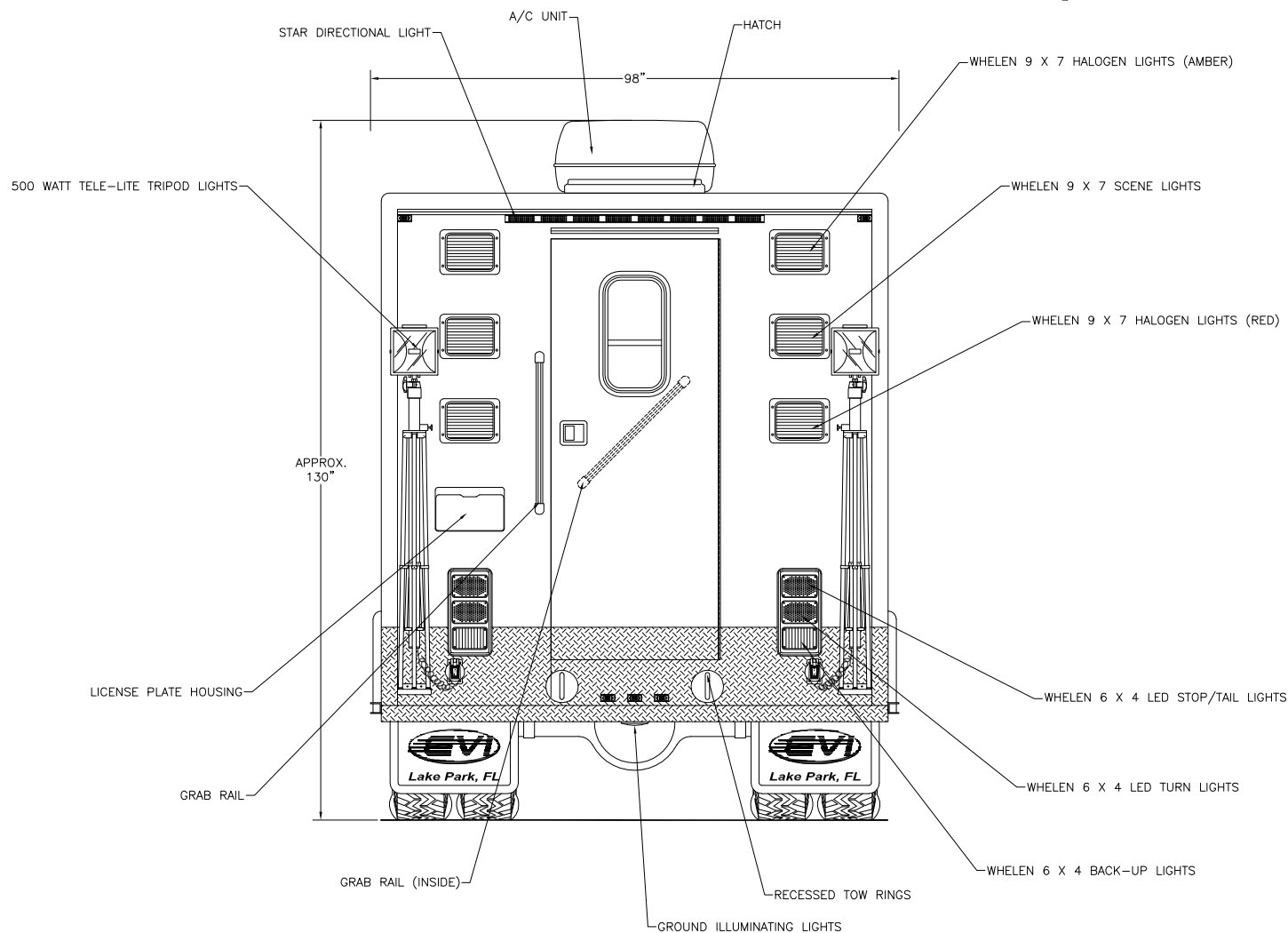
*Monroe County Sheriff's Department  
Monroe County, New York*



*Front View*

THESE DESIGN/ENGINEERING DRAWING(S) ARE THE PROPERTY OF EMERGENCY VEHICLES, INC. THEY ARE PROPRIETARY, AND ARE FOR THE EXCLUSIVE USE OF YOUR ENTITY. ANY DIVULGING OF THIS DATA TO A THIRD PARTY IS PROHIBITED.

|   |    |                |
|---|----|----------------|
|  |    | DATE: 06/09/06 |
| REVISION 1  | NS | - 01/31/07     |
| REVISION 2  | NS | - 02/27/07     |
| REVISION 3  | -  | -              |
| REVISION 4  | -  | -              |
| REVISION 5  | -  | -              |



*Rear View*

THESE DESIGN/ENGINEERING DRAWING(S) ARE THE PROPERTY OF EMERGENCY VEHICLES, INC. THEY ARE PROPRIETARY, AND ARE FOR THE EXCLUSIVE USE OF YOUR ENTITY. ANY DIVULGING OF THIS DATA TO A THIRD PARTY IS PROHIBITED.

*[Signature]* DATE: 06/09/06

|            |               |
|------------|---------------|
| REVISION 1 | NS - 01/31/07 |
| REVISION 2 | NS - 02/27/07 |
| REVISION 3 | -             |
| REVISION 4 | -             |
| REVISION 5 | -             |