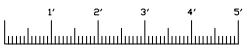
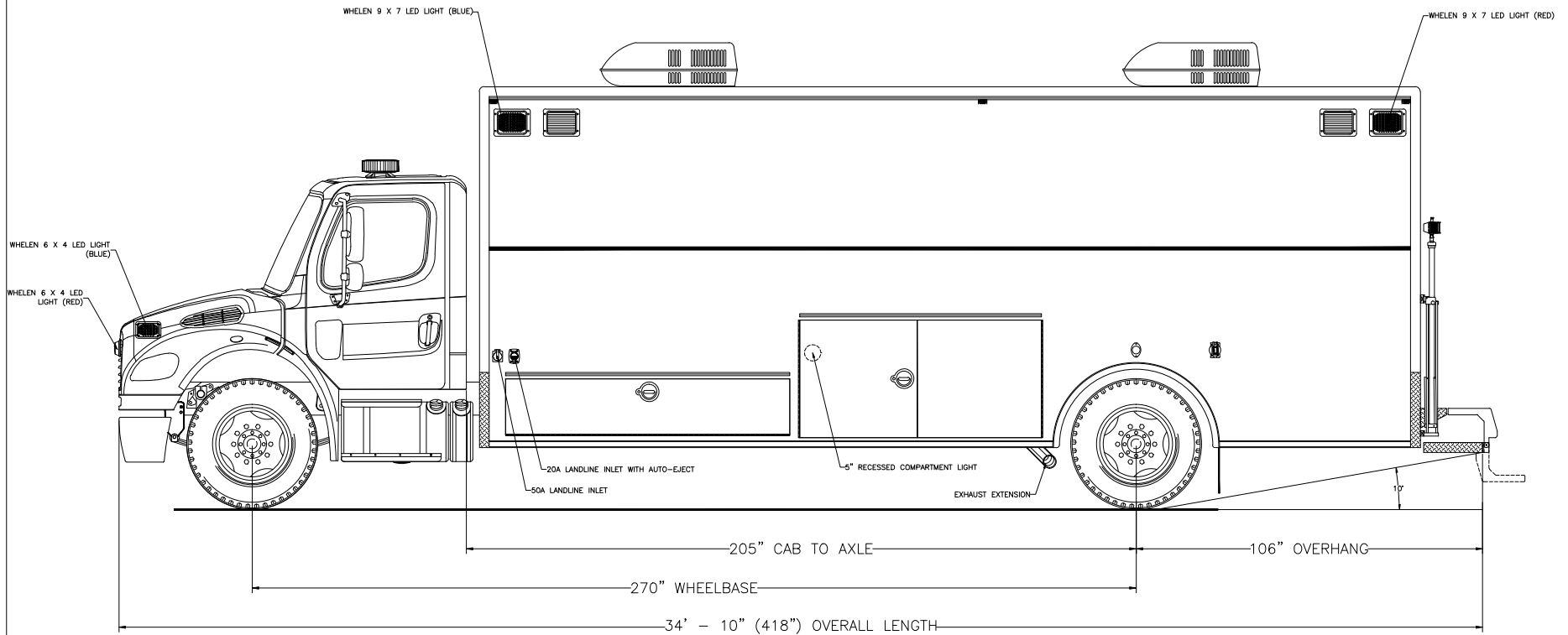


**EMERGENCY VEHICLES, INC.**

*Green Bay Police Department  
Green Bay, Wisconsin*



*Streetside Overall*

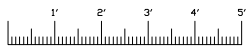
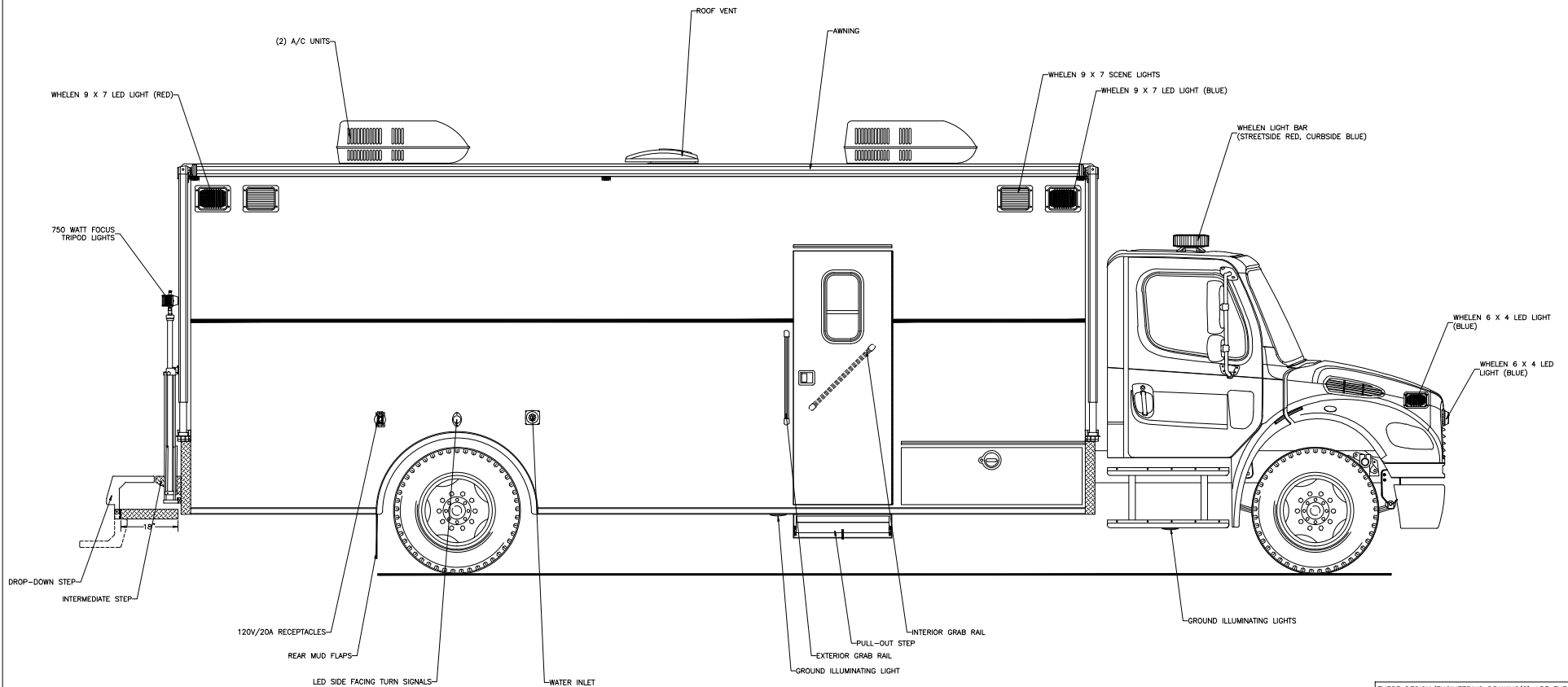
THESE DESIGN/ENGINEERING DRAWING(S) ARE THE PROPERTY OF EMERGENCY VEHICLES, INC. THEY ARE PROPRIETARY, AND ARE FOR THE EXCLUSIVE USE OF YOUR ENTITY. ANY DIVULGING OF THIS DATA TO A THIRD PARTY IS PROHIBITED.

*E. Panney* DATE: 05/10/10

REVISION 1	NS - 07/13/10
REVISION 2	NS - 09/07/10
REVISION 3	-
REVISION 4	-
REVISION 5	-

**EMERGENCY VEHICLES, INC.**

*Green Bay Police Department  
Green Bay, Wisconsin*



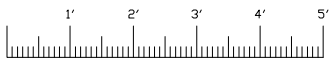
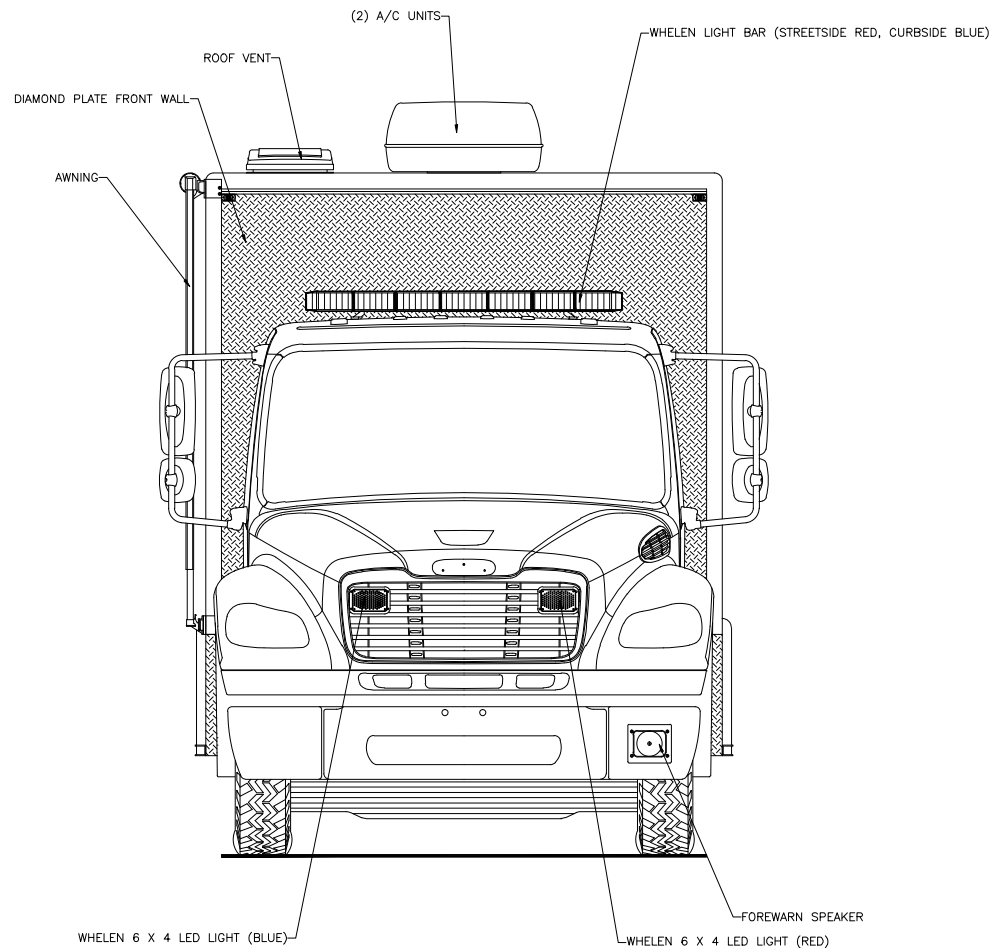
*Curbside Overall*

THESE DESIGN/ENGINEERING DRAWING(S) ARE THE PROPERTY OF EMERGENCY VEHICLES, INC. THEY ARE PROPRIETARY, AND ARE FOR THE EXCLUSIVE USE OF YOUR ENTITY. ANY DIVULGING OF THIS DATA TO A THIRD PARTY IS PROHIBITED.

		DATE: 05/10/10
REVISION 1	NS	07/13/10
REVISION 2	NS	09/07/10
REVISION 3	NS	11/30/10
REVISION 4	-	-
REVISION 5	-	-

**EMERGENCY VEHICLES, INC.**

*Green Bay Police Department  
Green Bay, Wisconsin*

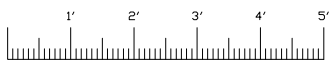
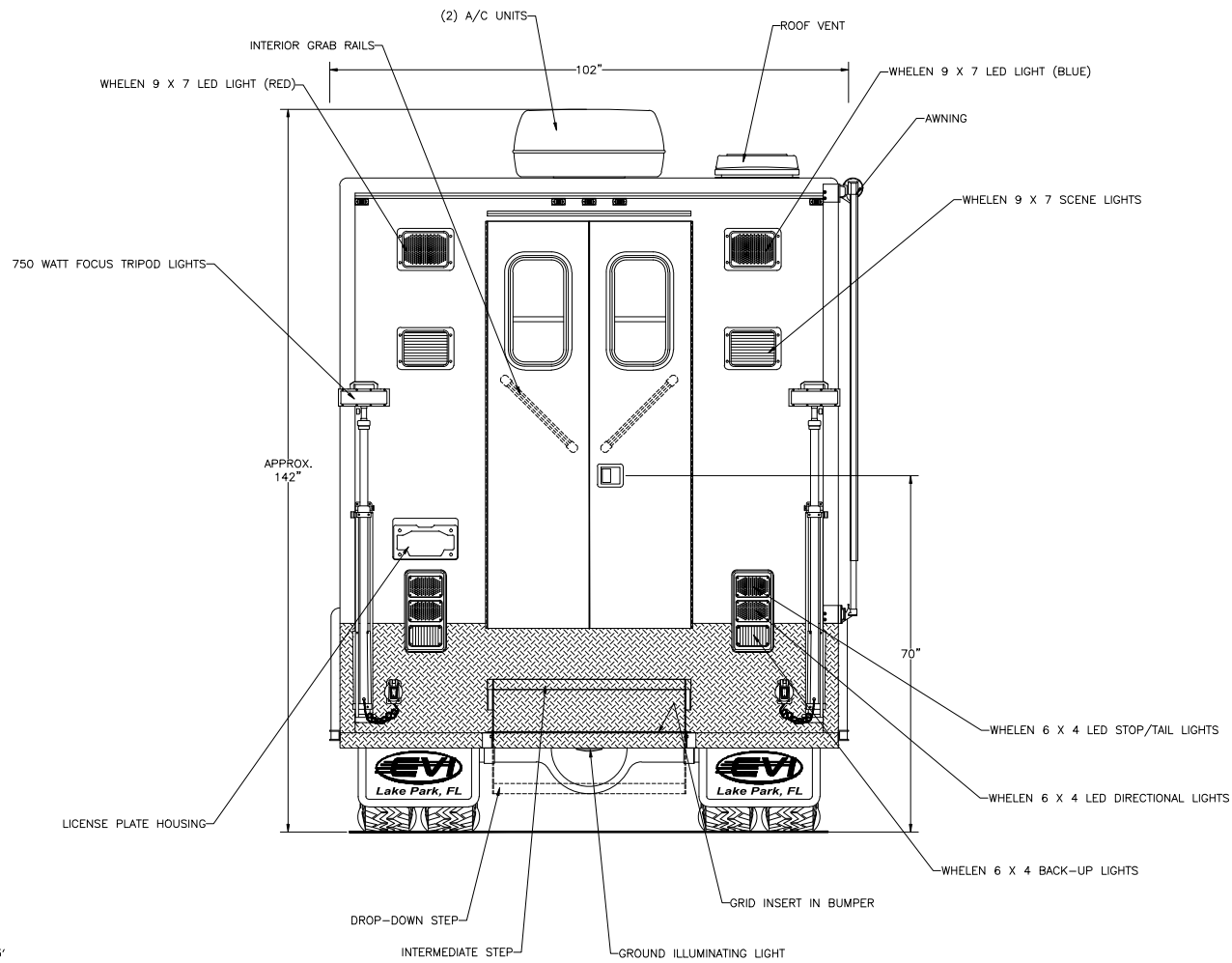


*Front View*

THESE DESIGN/ENGINEERING DRAWING(S) ARE THE PROPERTY OF EMERGENCY VEHICLES, INC. THEY ARE PROPRIETARY, AND ARE FOR THE EXCLUSIVE USE OF YOUR ENTITY. ANY DIVULGING OF THIS DATA TO A THIRD PARTY IS PROHIBITED.

*E. J. J. J.* DATE: 05/10/10

REVISION 1	NS - 07/13/10
REVISION 2	NS - 09/07/10
REVISION 3	-
REVISION 4	-
REVISION 5	-



*Rear View*

THESE DESIGN/ENGINEERING DRAWING(S) ARE THE PROPERTY OF EMERGENCY VEHICLES, INC. THEY ARE PROPRIETARY, AND ARE FOR THE EXCLUSIVE USE OF YOUR ENTITY. ANY DIVULGING OF THIS DATA TO A THIRD PARTY IS PROHIBITED.

*[Signature]* DATE: 05/10/10

REVISION 1	NS - 07/13/10
REVISION 2	NS - 09/07/10
REVISION 3	-
REVISION 4	-
REVISION 5	-