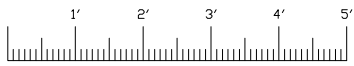
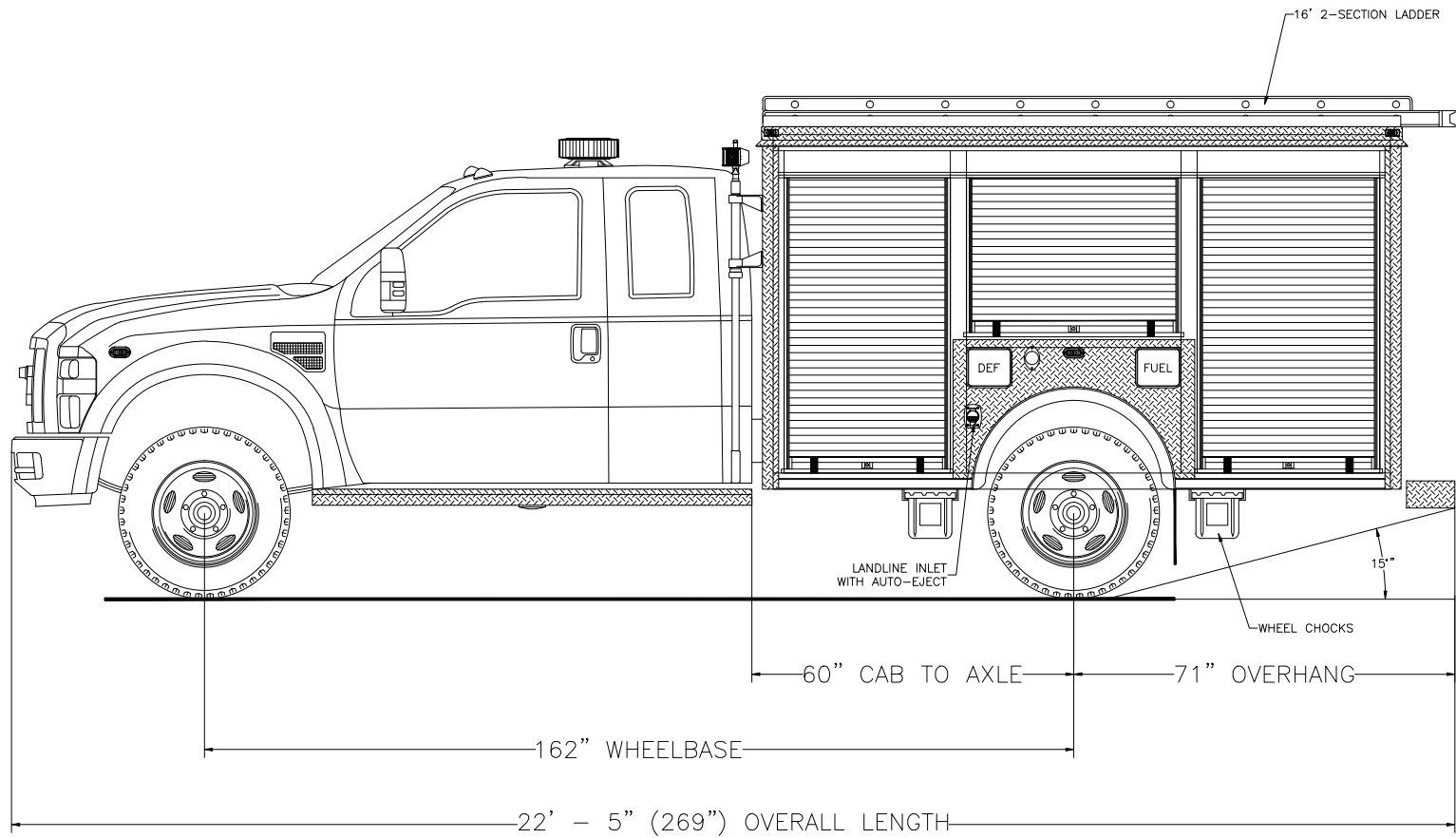


*EMERGENCY VEHICLES, INC.*

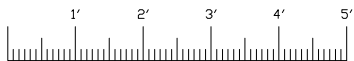
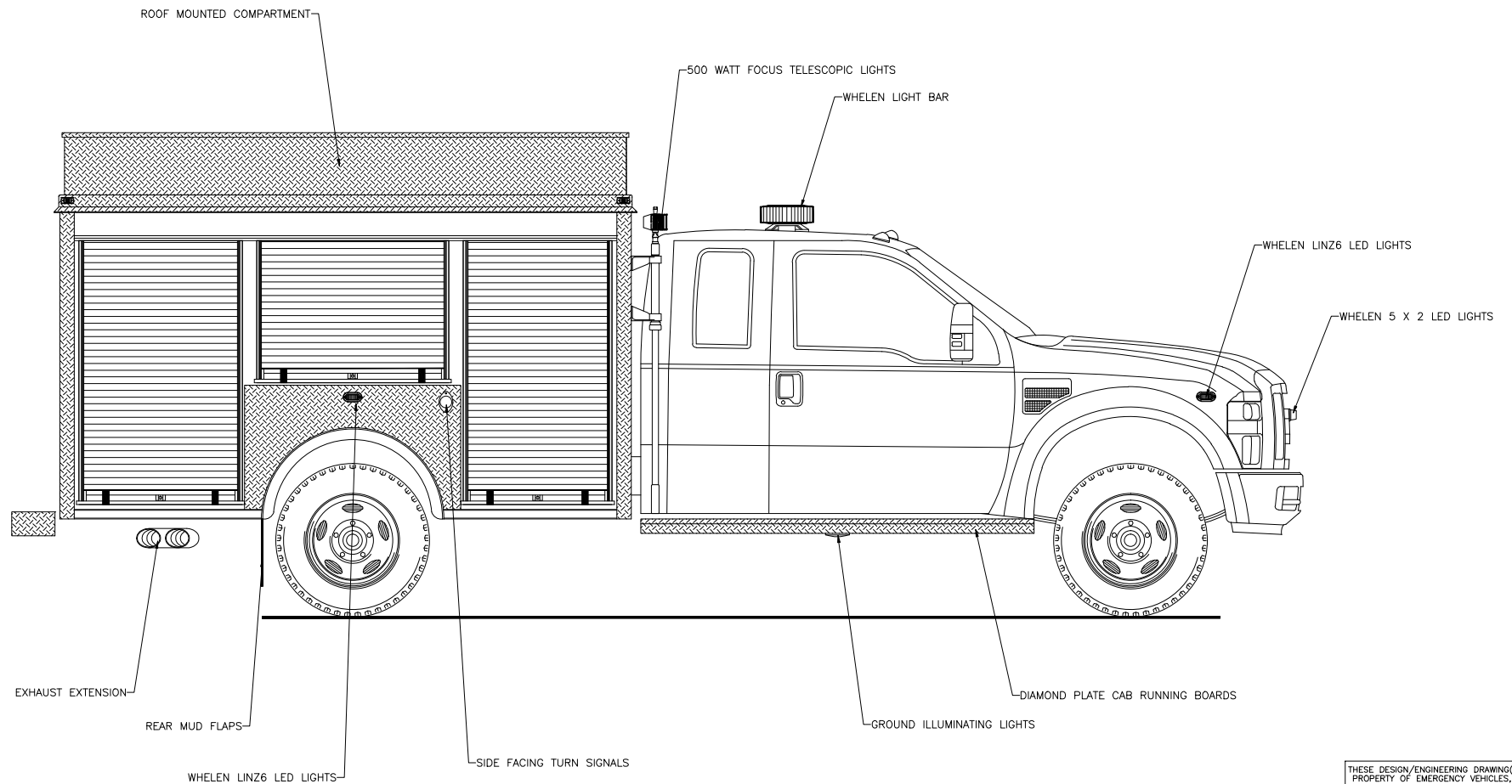
*North Fork Fire Department  
Sundance, Utah*



*Streetside Overall*

THESE DESIGN/ENGINEERING DRAWING(S) ARE THE PROPERTY OF EMERGENCY VEHICLES, INC. THEY ARE PROPRIETARY, AND ARE FOR THE EXCLUSIVE USE OF YOUR ENTITY. ANY DIVULGING OF THIS DATA TO A THIRD PARTY IS PROHIBITED.

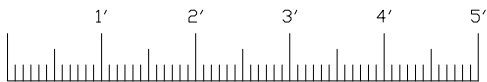
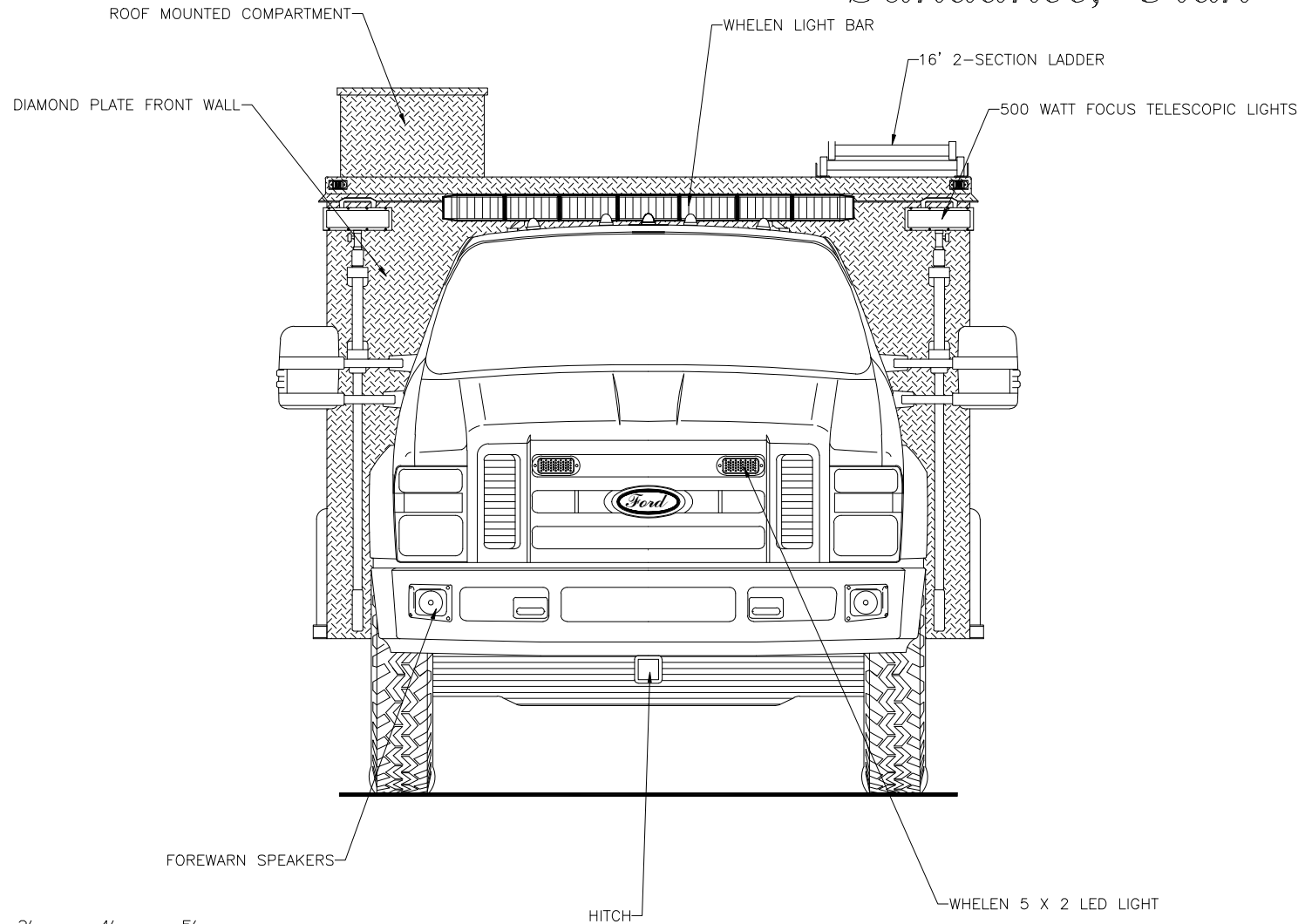
<i>Emergency</i>		DATE: 10/02/09
REVISION 1	NS - 08/03/10	
REVISION 2	NS - 03/23/11	
REVISION 3	-	
REVISION 4	-	
REVISION 5	-	



*Curbside Overall*

THESE DESIGN/ENGINEERING DRAWING(S) ARE THE PROPERTY OF EMERGENCY VEHICLES, INC. THEY ARE PROPRIETARY, AND ARE FOR THE EXCLUSIVE USE OF YOUR ENTITY. ANY DIVULGING OF THIS DATA TO A THIRD PARTY IS PROHIBITED.

		DATE: 10/02/09
REVISION 1	NS	08/03/10
REVISION 2	NS	03/23/11
REVISION 3	-	-
REVISION 4	-	-
REVISION 5	-	-



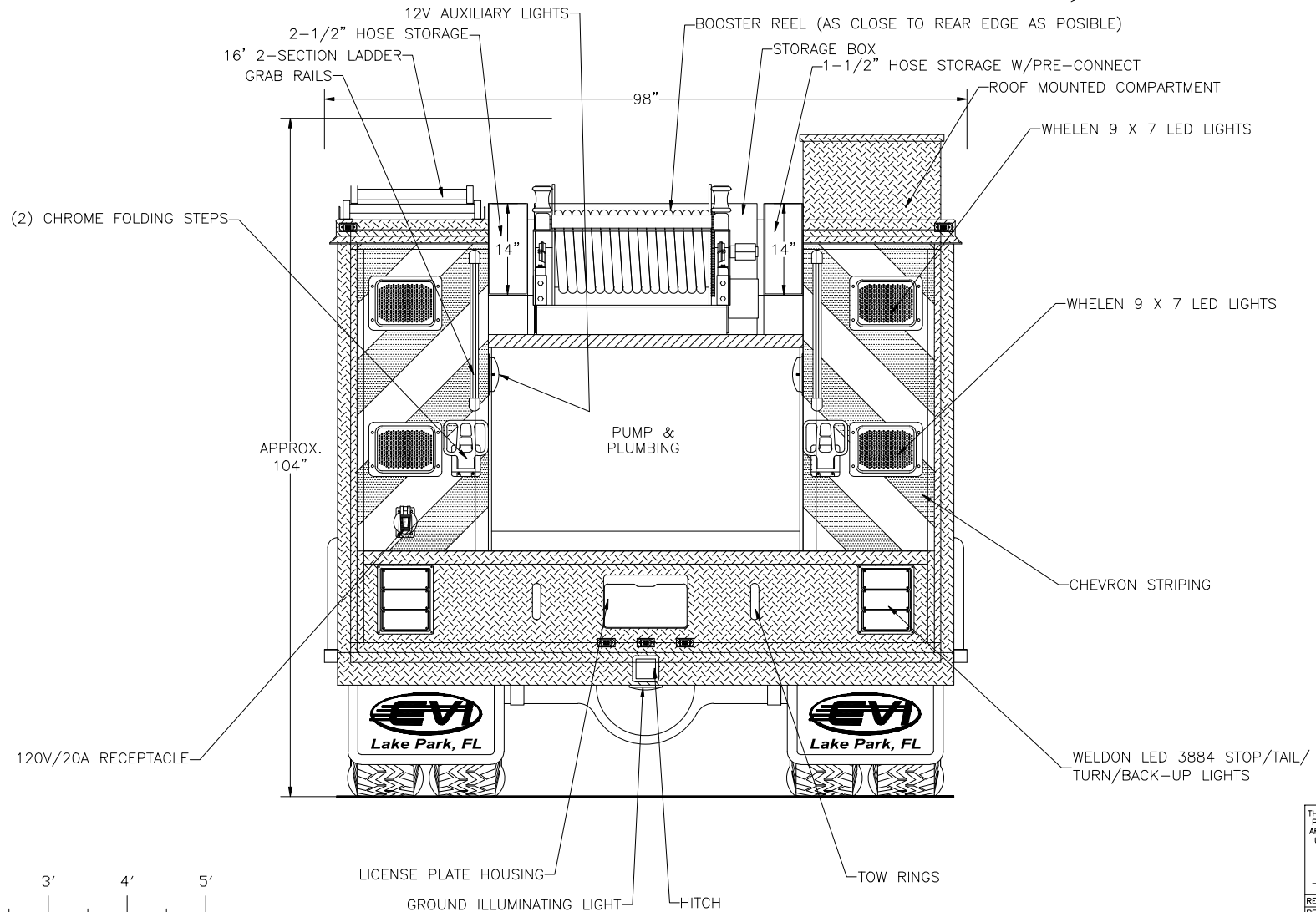
*Front View*

THESE DESIGN/ENGINEERING DRAWING(S) ARE THE PROPERTY OF EMERGENCY VEHICLES, INC. THEY ARE PROPRIETARY, AND ARE FOR THE EXCLUSIVE USE OF YOUR ENTITY. ANY DIVULGING OF THIS DATA TO A THIRD PARTY IS PROHIBITED.

*E. J. ...* DATE: 10/02/09

REVISION 1	NS - 08/03/10
REVISION 2	NS - 03/23/11
REVISION 3	-
REVISION 4	-
REVISION 5	-

*North Fork Fire Department  
Sundance, Utah*



*Rear View*

THESE DESIGN/ENGINEERING DRAWING(S) ARE THE PROPERTY OF EMERGENCY VEHICLES, INC. THEY ARE PROPRIETARY, AND ARE FOR THE EXCLUSIVE USE OF YOUR ENTITY. ANY DIVULGING OF THIS DATA TO A THIRD PARTY IS PROHIBITED.

*E. J. ...* DATE: 10/02/09

REVISION 1	NS - 08/03/10
REVISION 2	-
REVISION 3	-
REVISION 4	-
REVISION 5	-