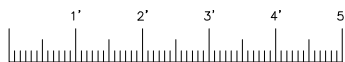
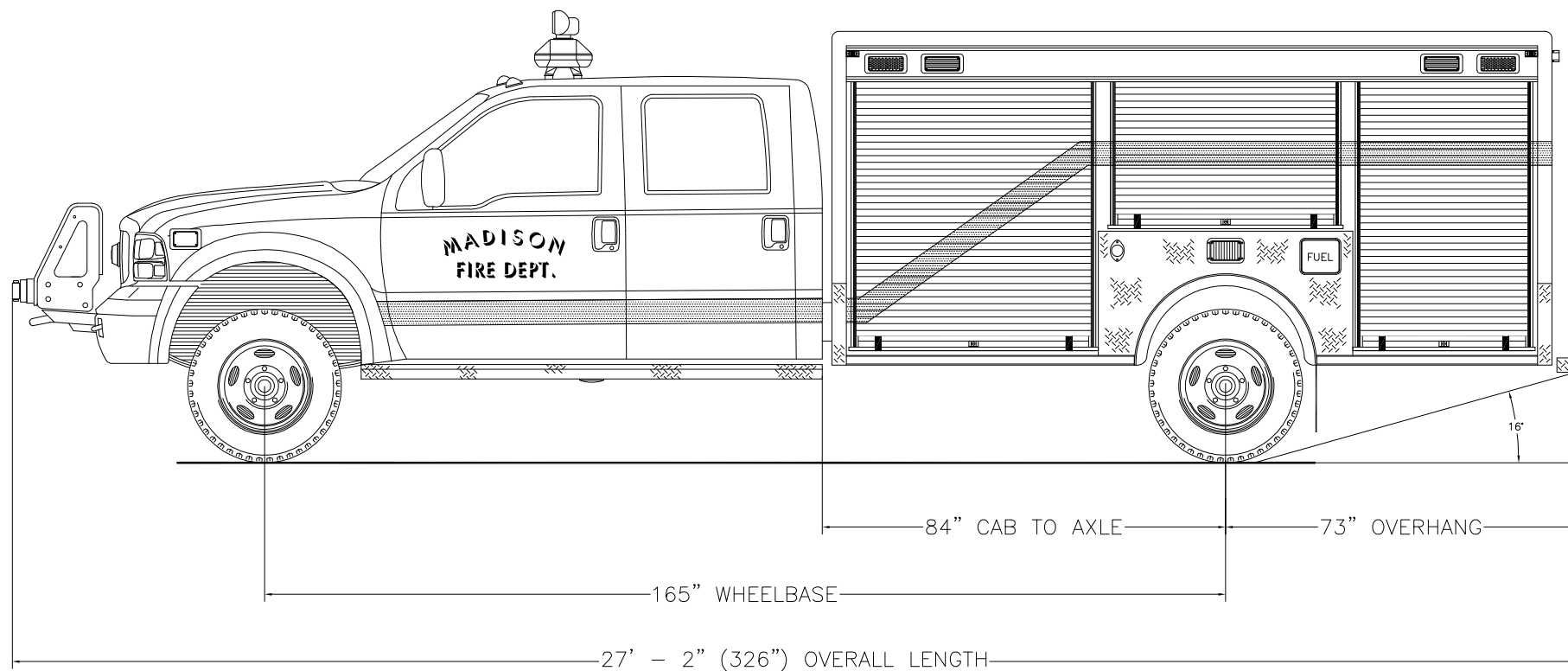


EMERGENCY VEHICLES, INC.

*City of Madison Fire Department
Madison, Mississippi*

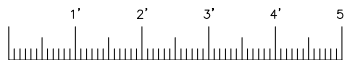
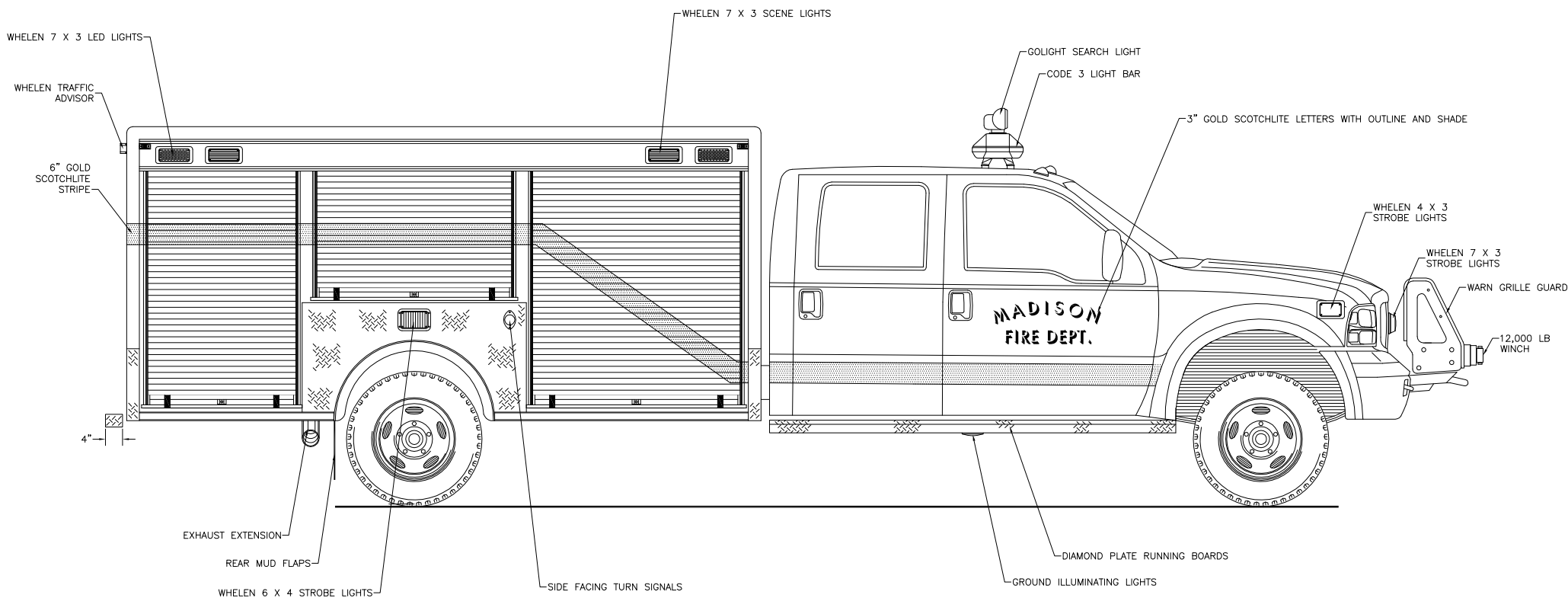


Streetside Overall

THESE DESIGN/ENGINEERING DRAWING(S) ARE THE PROPERTY OF EMERGENCY VEHICLES, INC. THEY ARE PROPRIETARY, AND ARE FOR THE EXCLUSIVE USE OF YOUR ENTITY. ANY DIVULGING OF THIS DATA TO A THIRD PARTY IS PROHIBITED.

[Signature] DATE: 05/11/06

REVISION 1	-
REVISION 2	-
REVISION 3	-
REVISION 4	-
REVISION 5	-

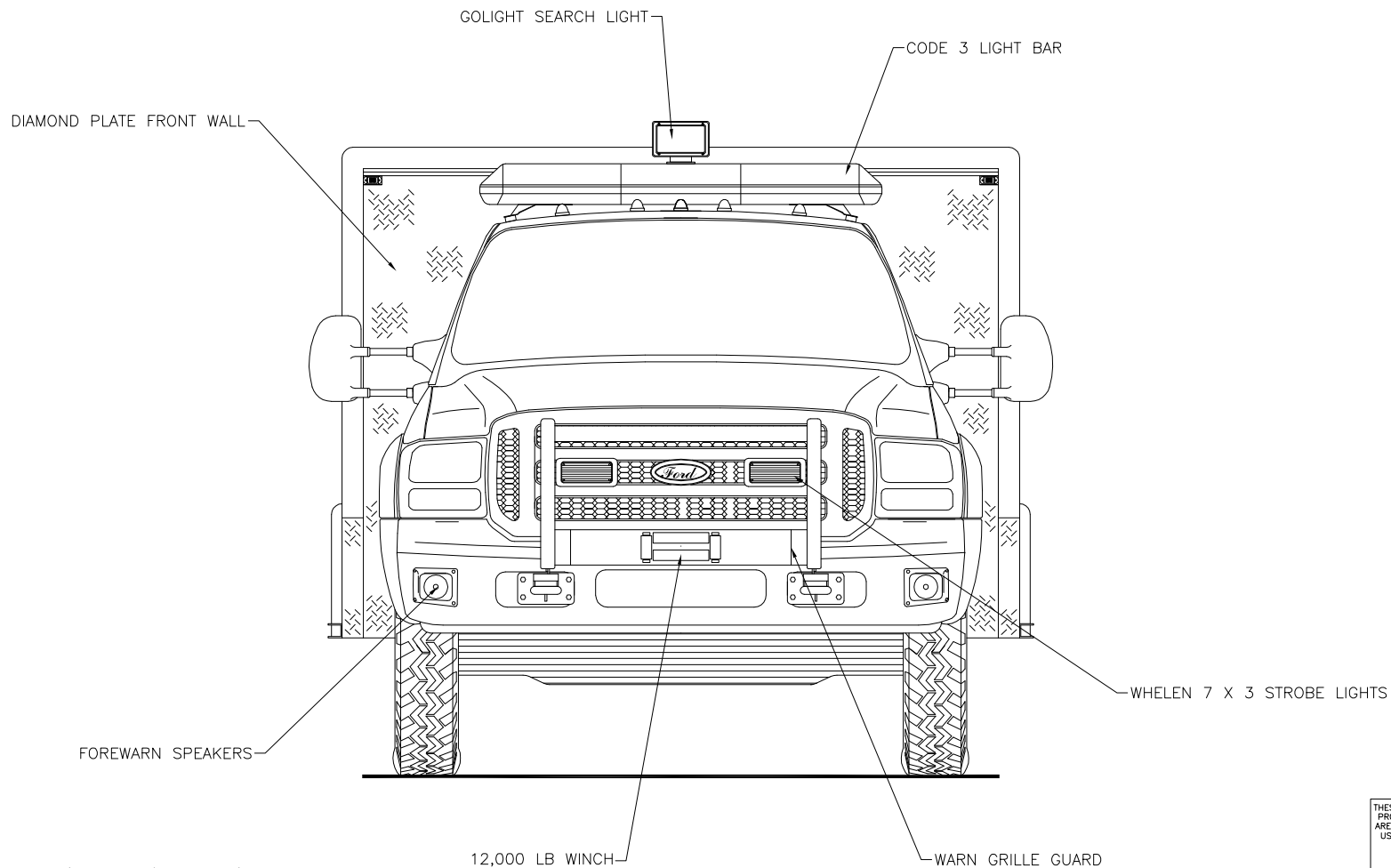


Curbside Overall

THESE DESIGN/ENGINEERING DRAWING(S) ARE THE PROPERTY OF EMERGENCY VEHICLES, INC. THEY ARE PROPRIETARY, AND ARE FOR THE EXCLUSIVE USE OF YOUR ENTITY. ANY DIVULGING OF THIS DATA TO A THIRD PARTY IS PROHIBITED.

DATE: 05/11/06

REVISION 1	-
REVISION 2	-
REVISION 3	-
REVISION 4	-
REVISION 5	-



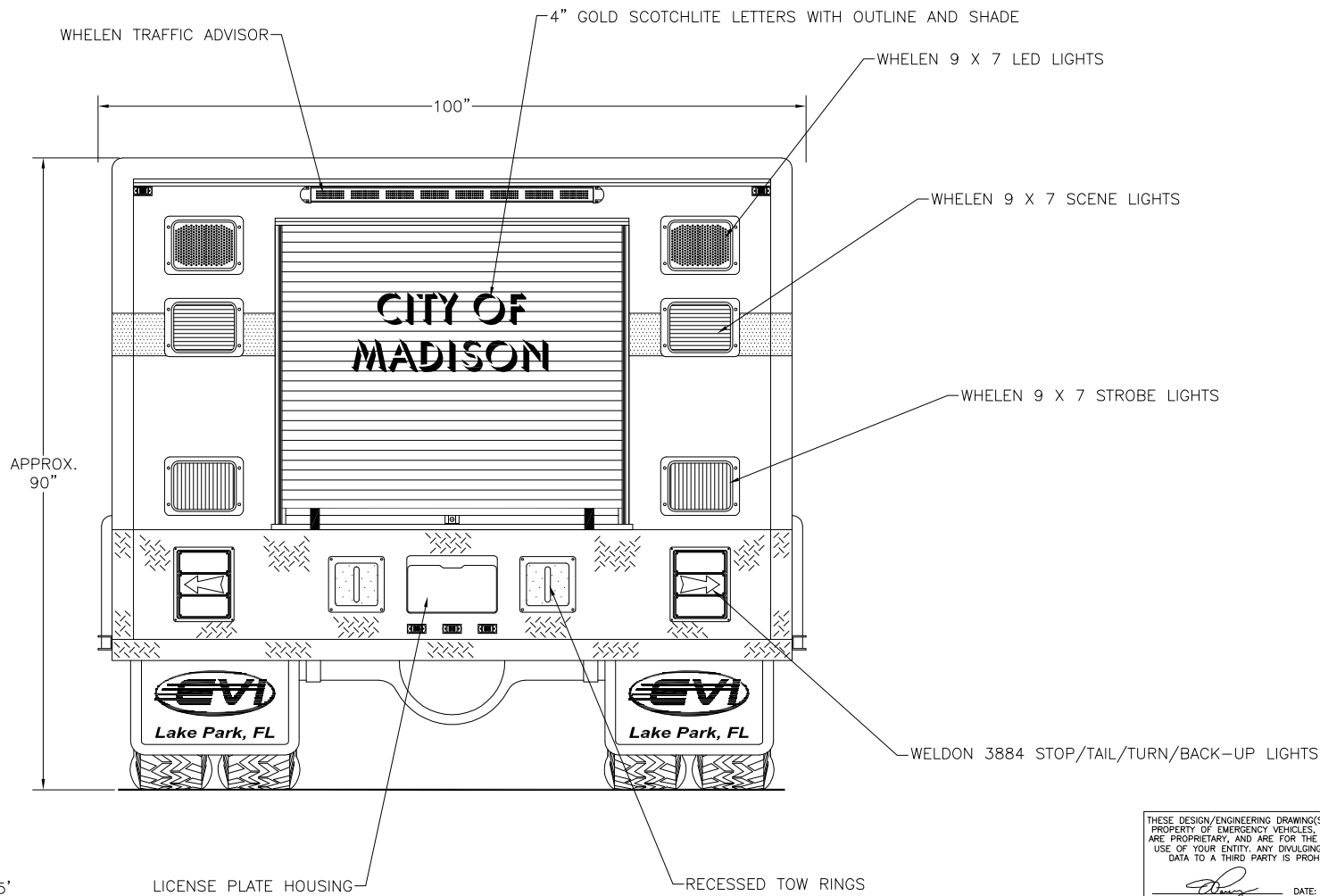
Front View

THESE DESIGN/ENGINEERING DRAWING(S) ARE THE PROPERTY OF EMERGENCY VEHICLES, INC. THEY ARE PROPRIETARY, AND ARE FOR THE EXCLUSIVE USE OF YOUR ENTITY. ANY DIVULGING OF THIS DATA TO A THIRD PARTY IS PROHIBITED.

[Signature] DATE: 05/11/06

REVISION 1	-
REVISION 2	-
REVISION 3	-
REVISION 4	-
REVISION 5	-

*City of Madison Fire Department
Madison, Mississippi*



Rear View

THESE DESIGN/ENGINEERING DRAWING(S) ARE THE PROPERTY OF EMERGENCY VEHICLES, INC. THEY ARE PROPRIETARY, AND ARE FOR THE EXCLUSIVE USE OF YOUR ENTITY. ANY DIVULGING OF THIS DATA TO A THIRD PARTY IS PROHIBITED.

[Signature] DATE: 05/11/06

REVISION 1	-
REVISION 2	-
REVISION 3	-
REVISION 4	-
REVISION 5	-