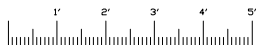
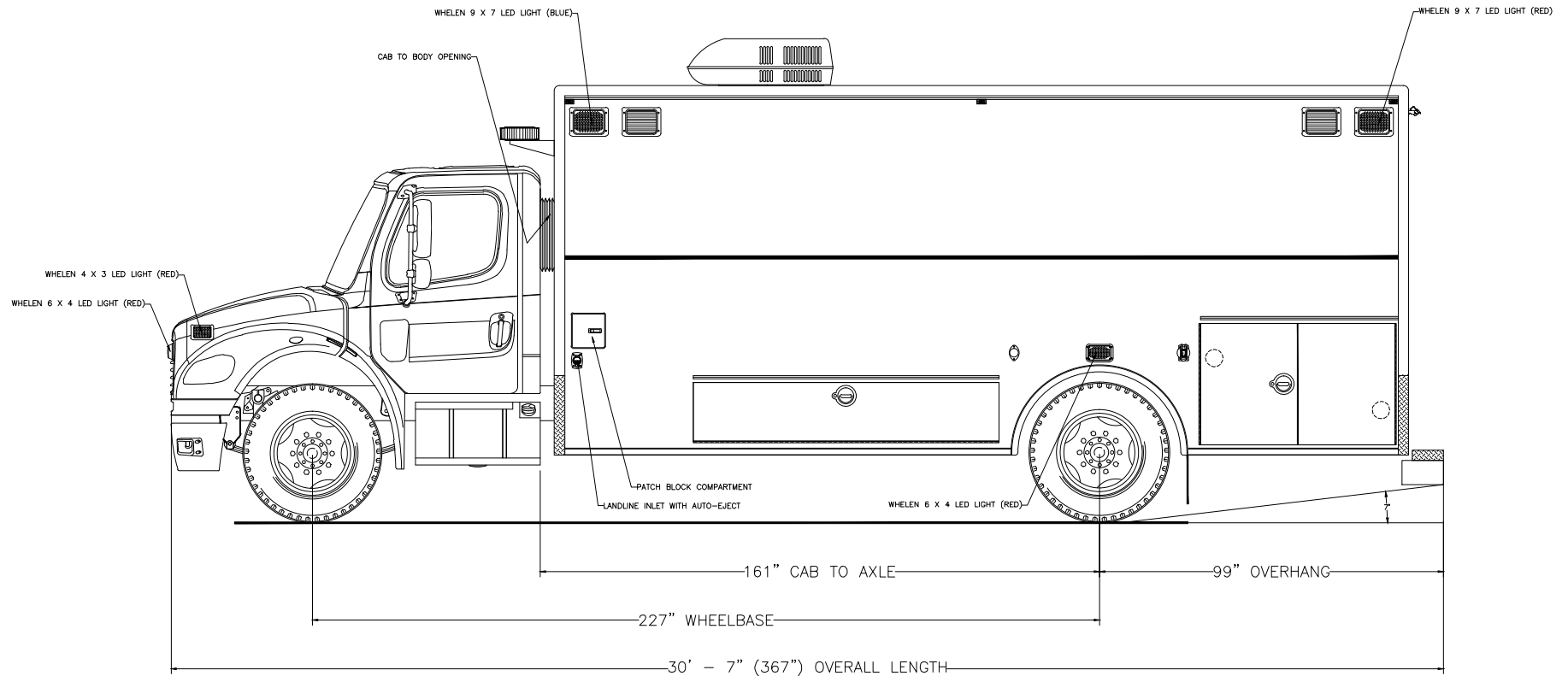


**EMERGENCY VEHICLES, INC.**

*Gloucester County Emergency Mgt.  
Clayton, New Jersey*



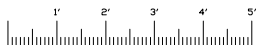
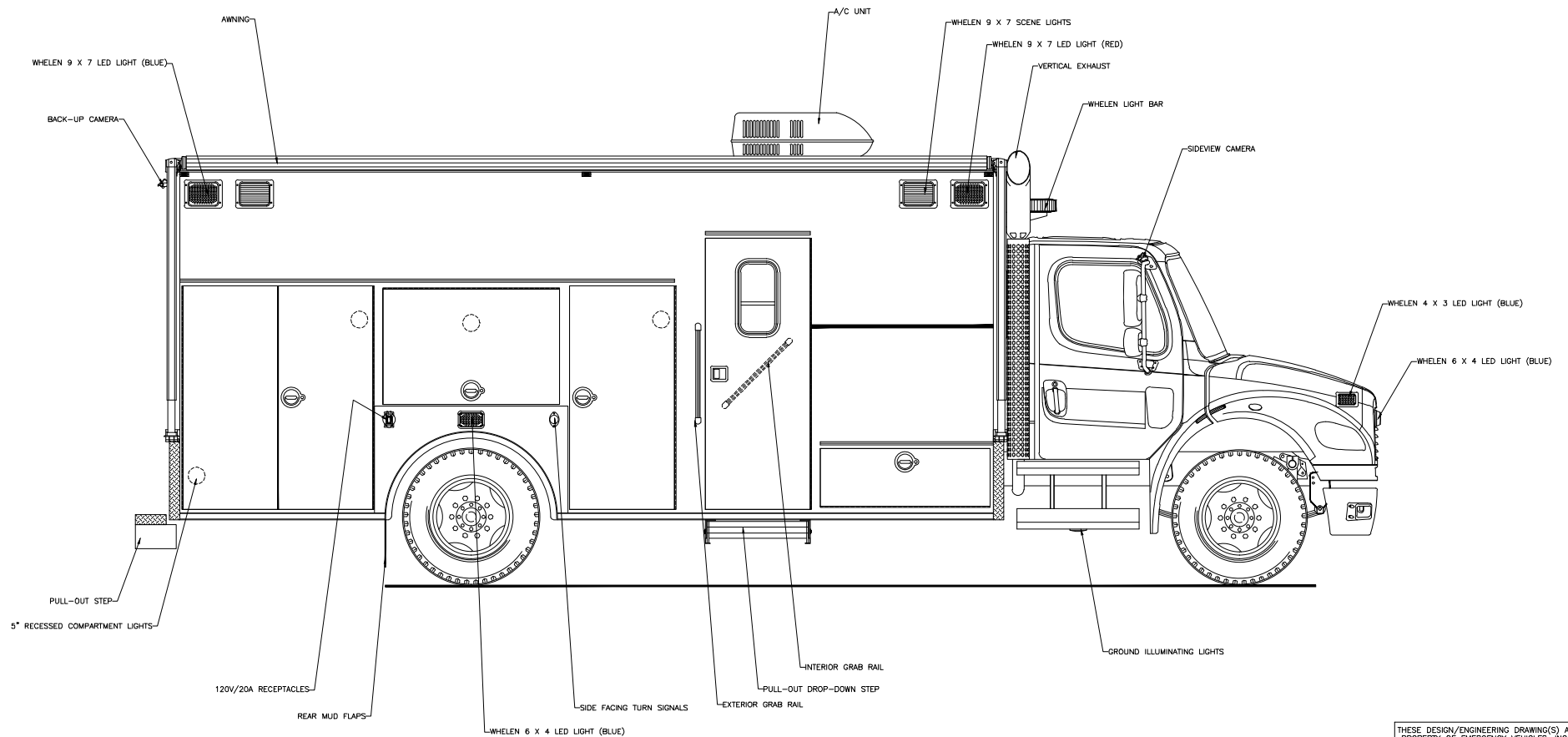
*Streetside Overall*

THESE DESIGN/ENGINEERING DRAWING(S) ARE THE PROPERTY OF EMERGENCY VEHICLES, INC. THEY ARE PROPRIETARY, AND ARE FOR THE EXCLUSIVE USE OF YOUR ENTITY. ANY DIVULGING OF THIS DATA TO A THIRD PARTY IS PROHIBITED.

		DATE: 01/28/09
REVISION 1	NS - 11/05/09	
REVISION 2	NS - 03/08/10	
REVISION 3	NS - 04/08/10	
REVISION 4	-	
REVISION 5	-	

*EMERGENCY VEHICLES, INC.*

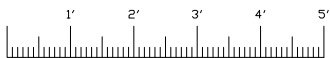
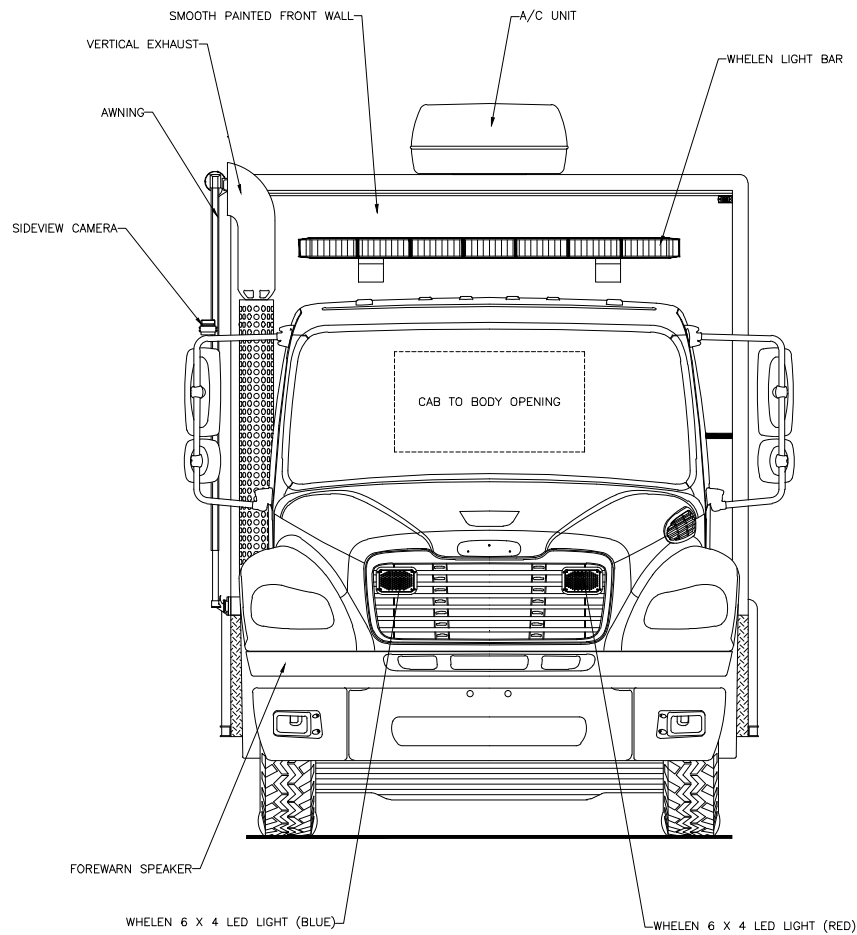
*Gloucester County Emergency Mgt.  
Clayton, New Jersey*



*Curbside Overall*

THESE DESIGN/ENGINEERING DRAWING(S) ARE THE PROPERTY OF EMERGENCY VEHICLES, INC. THEY ARE PROPRIETARY, AND ARE FOR THE EXCLUSIVE USE OF YOUR ENTITY. ANY DIVULGING OF THIS DATA TO A THIRD PARTY IS PROHIBITED.

		DATE: 01/28/09
REVISION 1	NS - 11/05/09	
REVISION 2	NS - 03/08/10	
REVISION 3	NS - 03/25/10	
REVISION 4	NS - 04/08/10	
REVISION 5	-	

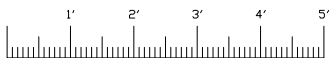
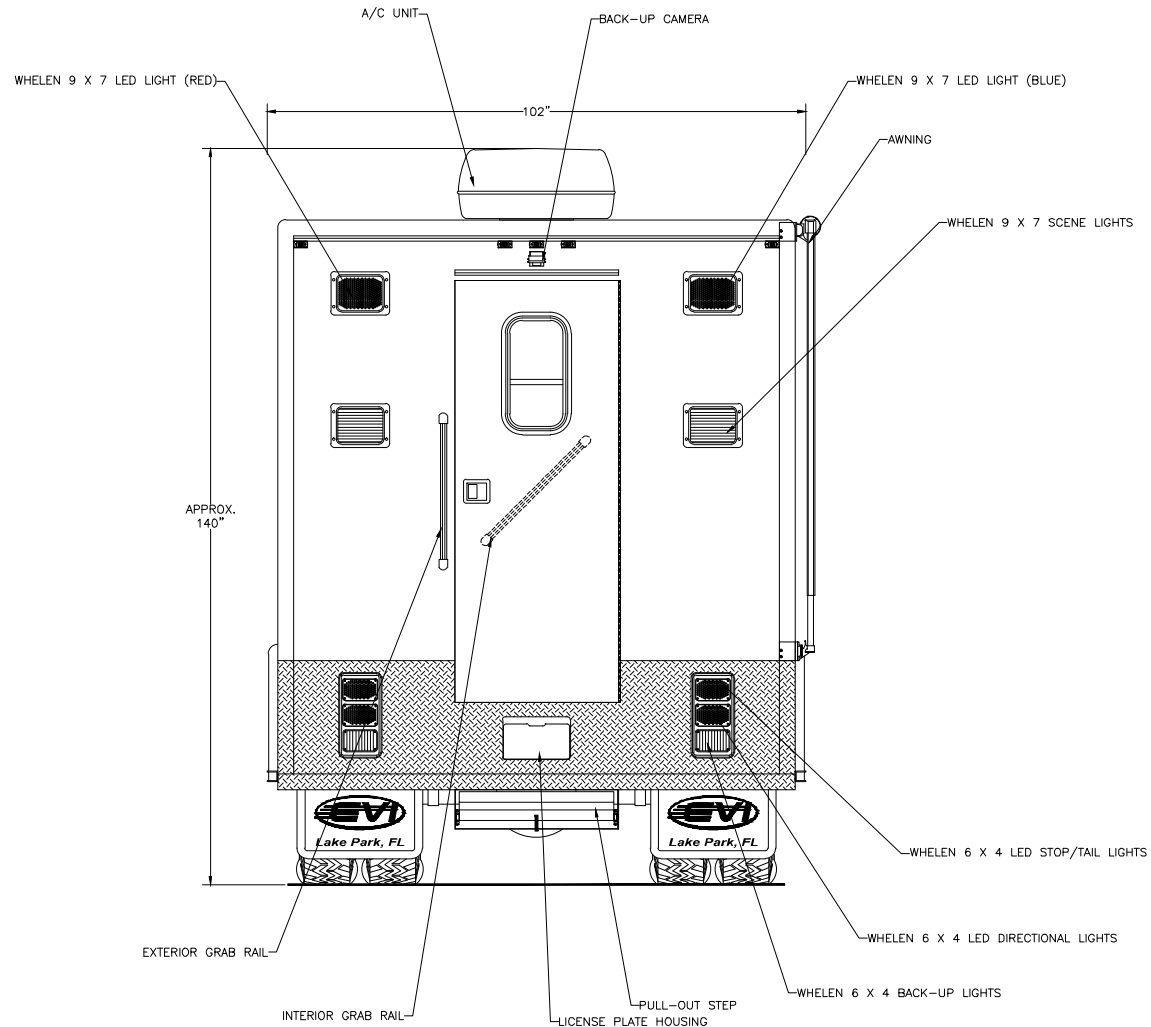


*Front View*

THESE DESIGN/ENGINEERING DRAWING(S) ARE THE PROPERTY OF EMERGENCY VEHICLES, INC. THEY ARE PROPRIETARY, AND ARE FOR THE EXCLUSIVE USE OF YOUR ENTITY. ANY DIVULGING OF THIS DATA TO A THIRD PARTY IS PROHIBITED.

*Signature* DATE: 01/26/09

REVISION 1	NS - 11/05/09
REVISION 2	NS - 03/08/10
REVISION 3	NS - 04/08/10
REVISION 4	-
REVISION 5	-



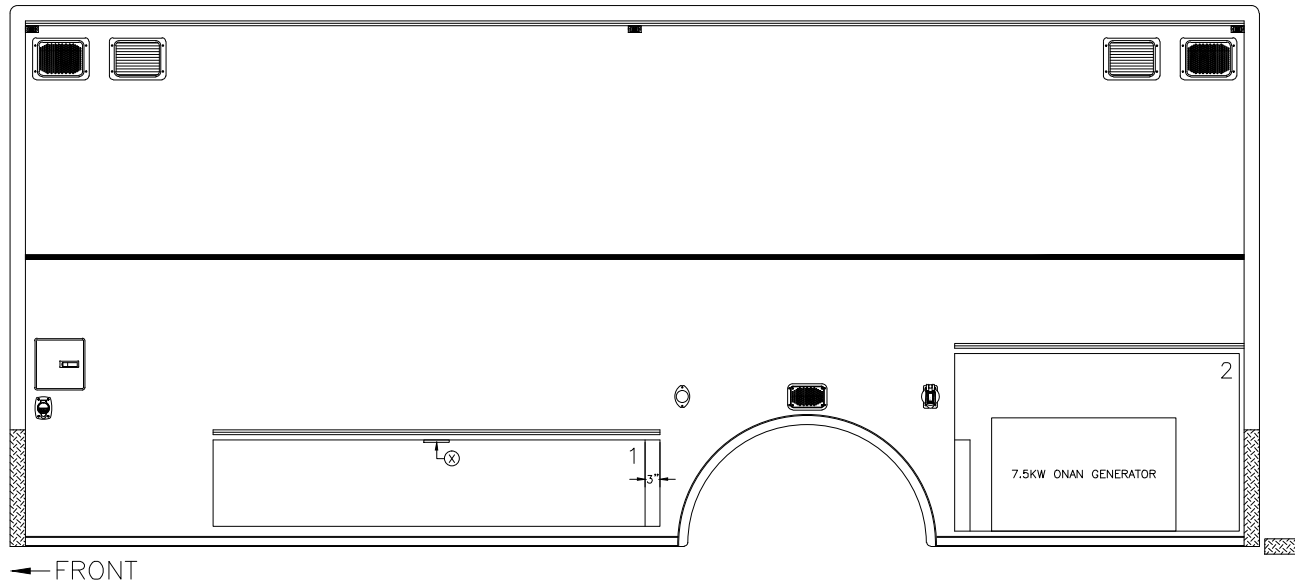
*Rear View*

THESE DESIGN/ENGINEERING DRAWING(S) ARE THE PROPERTY OF EMERGENCY VEHICLES, INC. THEY ARE PROPRIETARY AND ARE FOR THE EXCLUSIVE USE OF YOUR ENTITY. ANY DIVULGING OF THIS DATA TO A THIRD PARTY IS PROHIBITED.

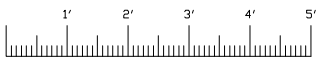
		DATE: 01/28/09
REVISION 1	NS - 11/05/09	
REVISION 2	NS - 03/08/10	
REVISION 3	NS - 04/08/10	
REVISION 4	-	
REVISION 5	-	

**EMERGENCY VEHICLES, INC.**

*Gloucester County Emergency Mgt.  
Clayton, New Jersey*



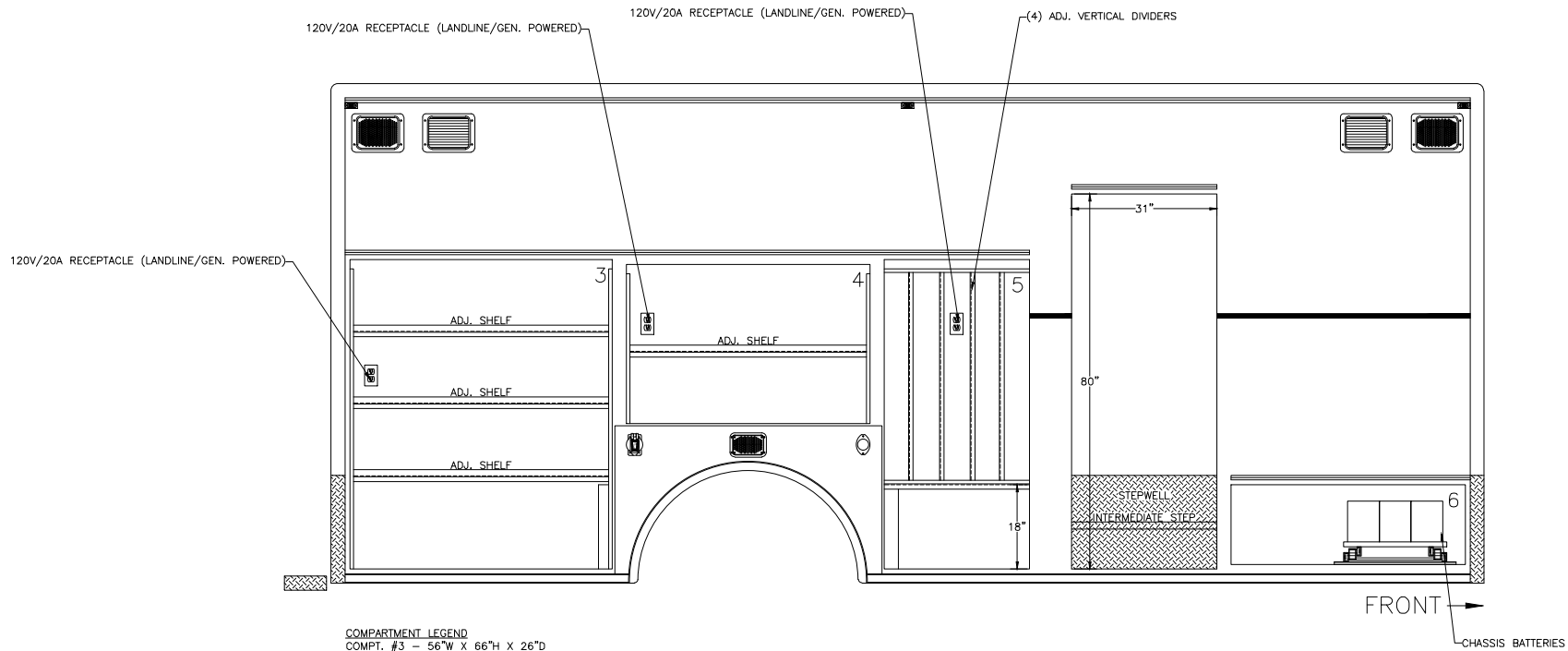
COMPARTMENT LEGEND  
 COMPT. #1 - 88"W X 17"H X 26"D  
 COMPT. #2 - 56"W X 35"H X 26"D  
 ⊗ - 5" RECESSED COMPARTMENT LIGHT



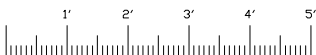
*Streetside Body*

THESE DESIGN/ENGINEERING DRAWING(S) ARE THE PROPERTY OF EMERGENCY VEHICLES, INC. THEY ARE PROPRIETARY AND ARE FOR THE EXCLUSIVE USE OF YOUR ENTITY. ANY DIVULGING OF THIS DATA TO A THIRD PARTY IS PROHIBITED.

		DATE: 01/28/09
REVISION 1		NS - 11/05/09
REVISION 2		NS - 03/08/10
REVISION 3		NS - 04/08/10
REVISION 4		-
REVISION 5		-



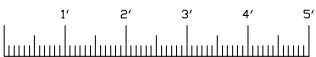
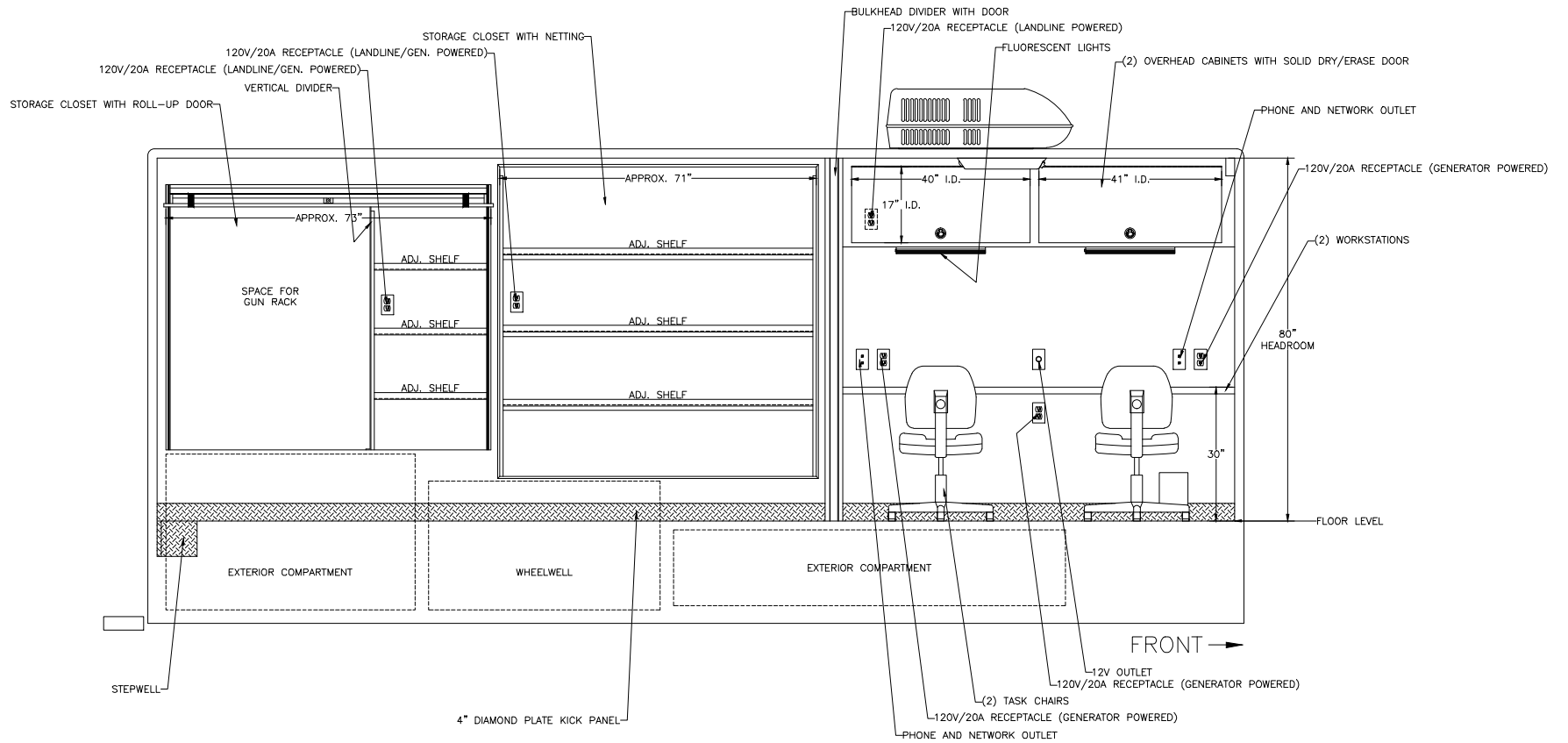
COMPARTMENT LEGEND  
 COMPT. #3 - 56"W X 66"H X 26"D  
 COMPT. #4 - 52"W X 34"H X 26"D  
 COMPT. #5 - 31"W X 66"H X 26"D  
 COMPT. #6 - 50"W X 17"H X 26"D



*Curbside Body*

THESE DESIGN/ENGINEERING DRAWING(S) ARE THE PROPERTY OF EMERGENCY VEHICLES, INC. THEY ARE PROPRIETARY, AND ARE FOR THE EXCLUSIVE USE OF YOUR ENTITY. ANY DIVULGING OF THIS DATA TO A THIRD PARTY IS PROHIBITED.

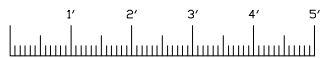
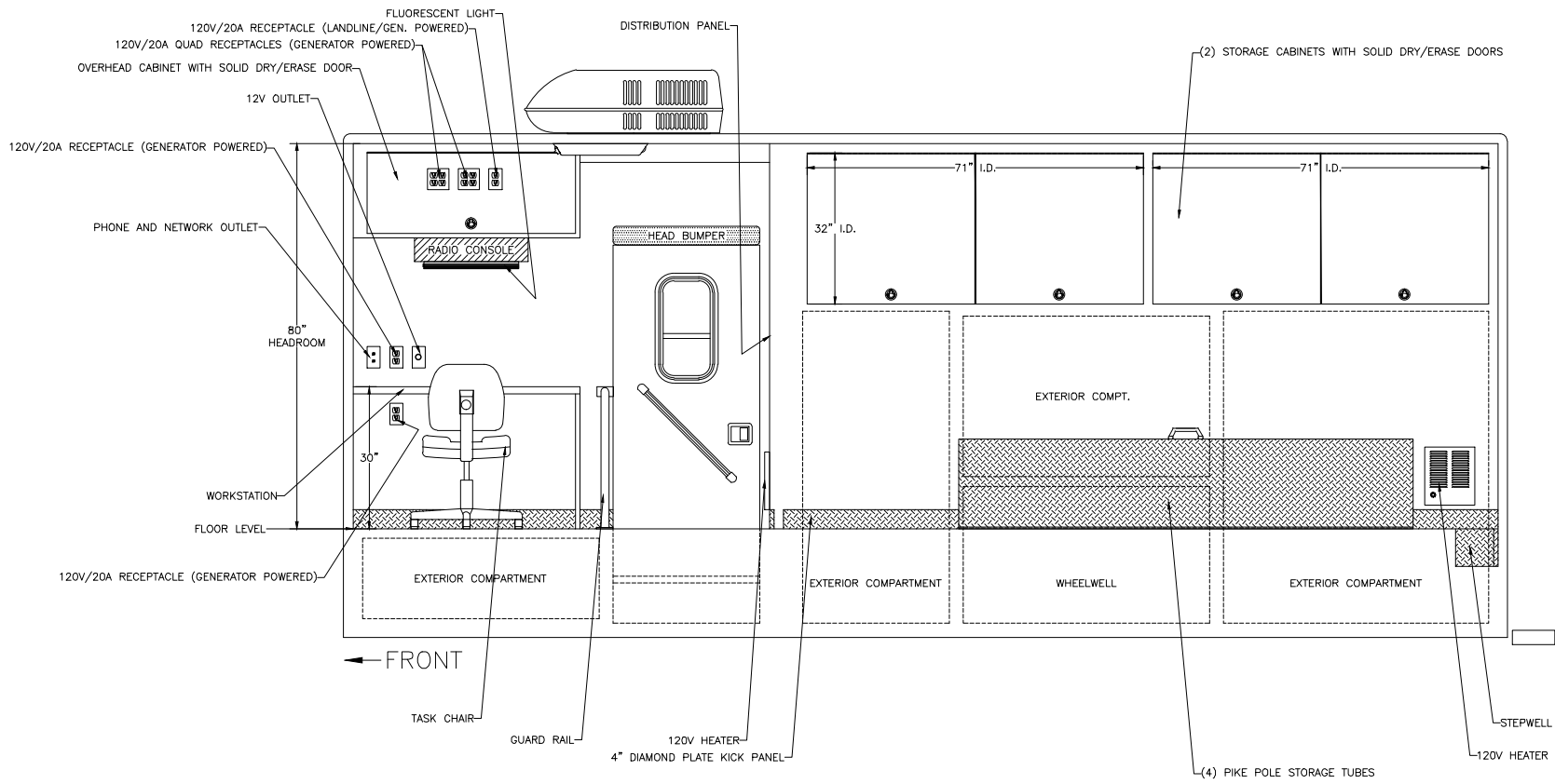
		DATE: 01/26/09
REVISION 1	NS - 11/05/09	
REVISION 2	NS - 03/08/10	
REVISION 3	NS - 03/25/10	
REVISION 4	NS - 04/08/10	
REVISION 5	NS - 05/05/10	



*Streetside Interior*

THESE DESIGN/ENGINEERING DRAWING(S) ARE THE PROPERTY OF EMERGENCY VEHICLES, INC. THEY ARE PROPRIETARY, AND ARE FOR THE EXCLUSIVE USE OF YOUR ENTITY. ANY DIVULGING OF THIS DATA TO A THIRD PARTY IS PROHIBITED.

<i>[Signature]</i> DATE: 01/28/09	
REVISION 1	NS - 11/05/09
REVISION 2	NS - 03/08/10
REVISION 3	NS - 04/08/10
REVISION 4	-
REVISION 5	-



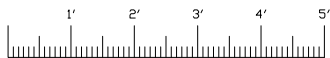
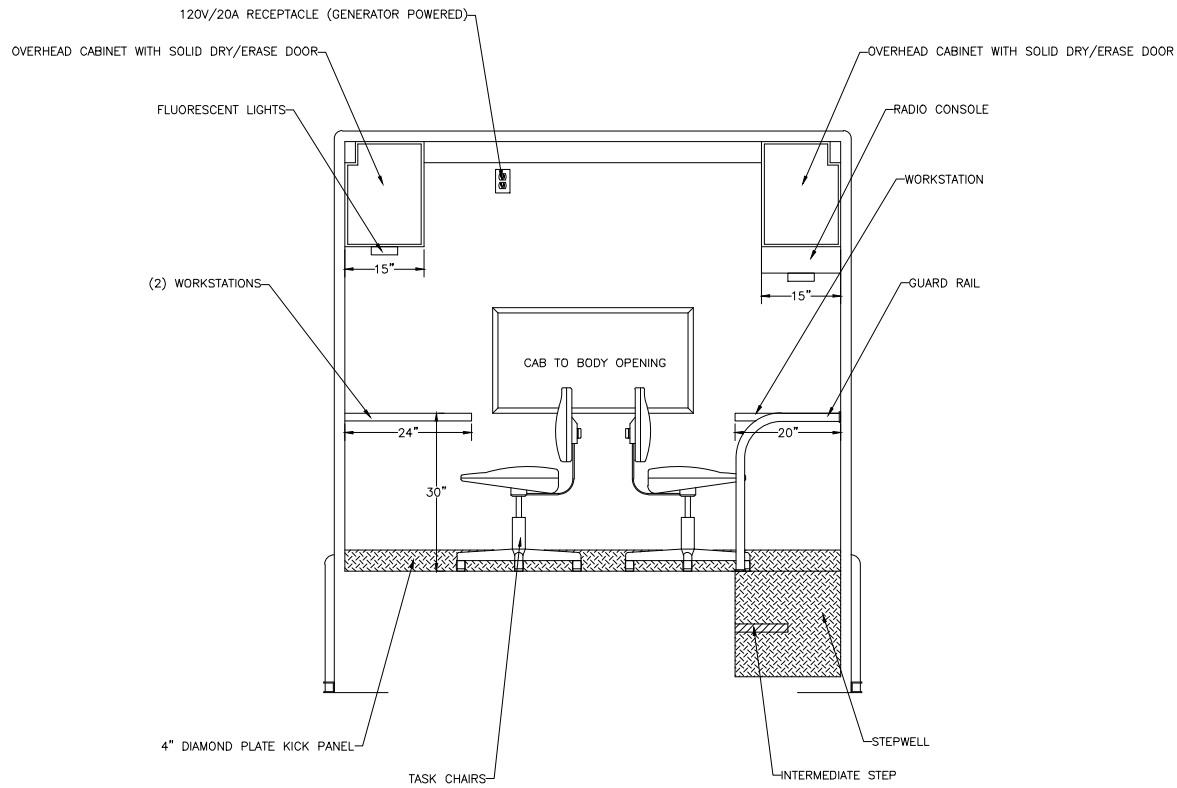
*Curbside Interior*

THESE DESIGN/ENGINEERING DRAWING(S) ARE THE PROPERTY OF EMERGENCY VEHICLES, INC. THEY ARE PROPRIETARY AND ARE FOR THE EXCLUSIVE USE OF YOUR ENTITY. ANY DIVULGING OF THIS DATA TO A THIRD PARTY IS PROHIBITED.

*Signature* DATE: 01/28/09

REVISION 1	NS - 11/05/09
REVISION 2	NS - 03/08/10
REVISION 3	NS - 03/25/10
REVISION 4	NS - 04/08/10
REVISION 5	NS - 07/28/10

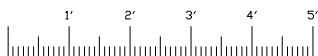
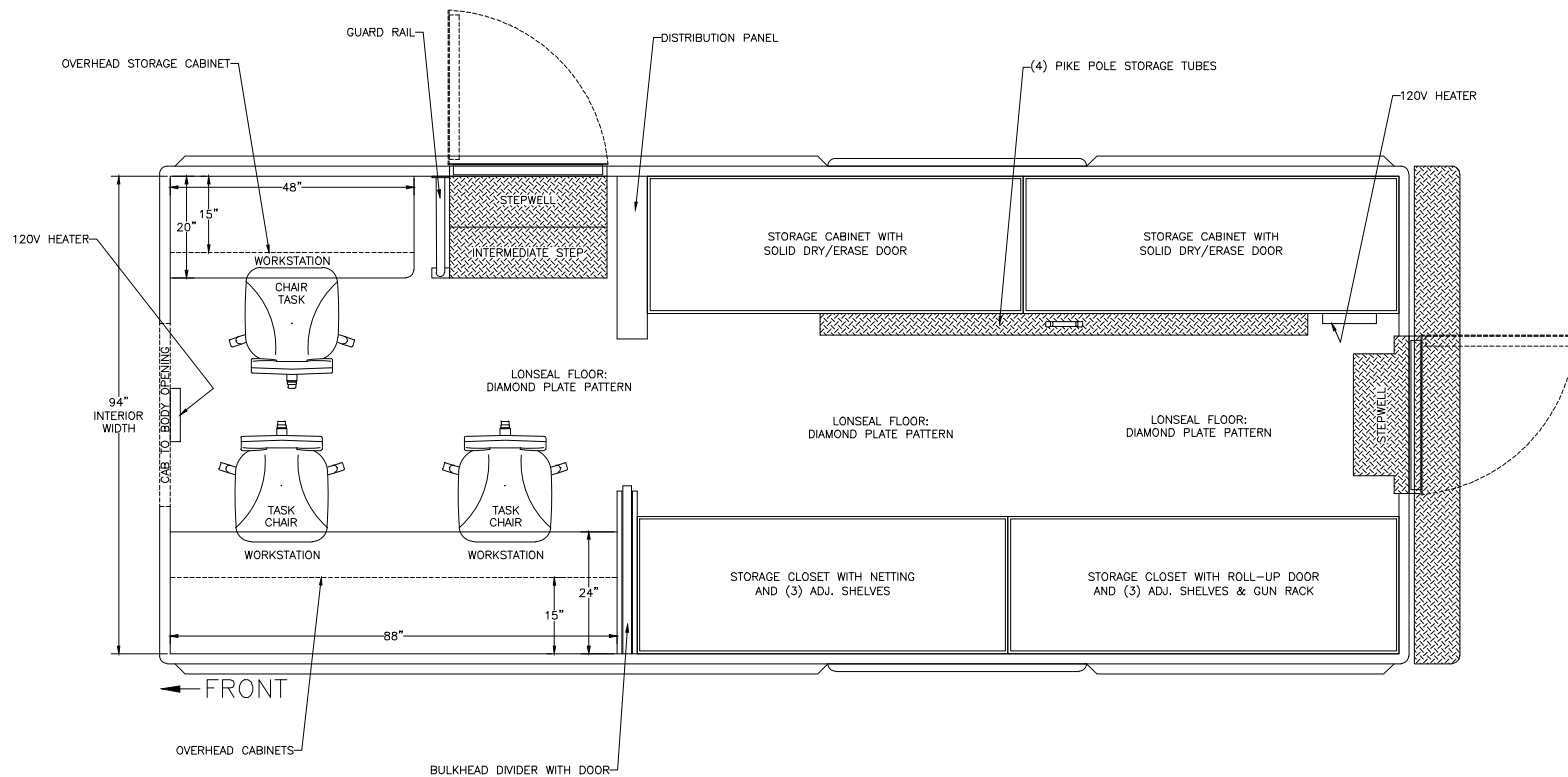




*Front View*

THESE DESIGN/ENGINEERING DRAWING(S) ARE THE PROPERTY OF EMERGENCY VEHICLES, INC. THEY ARE PROPRIETARY AND ARE FOR THE EXCLUSIVE USE OF YOUR ENTITY. ANY DIVULGING OF THIS DATA TO A THIRD PARTY IS PROHIBITED.

		DATE: 01/28/09
REVISION 1		NS - 11/05/09
REVISION 2		NS - 03/08/10
REVISION 3		NS - 04/08/10
REVISION 4		-
REVISION 5		-



*Body Planview*

THESE DESIGN/ENGINEERING DRAWING(S) ARE THE PROPERTY OF EMERGENCY VEHICLES, INC. THEY ARE PROPRIETARY, AND ARE FOR THE EXCLUSIVE USE OF YOUR ENTITY. ANY DIVULGING OF THIS DATA TO A THIRD PARTY IS PROHIBITED.

*E. J. ...* DATE: 01/28/09

REVISION 1	NS - 11/05/09
REVISION 2	NS - 03/08/10
REVISION 3	NS - 04/08/10
REVISION 4	NS - 07/28/10
REVISION 5	-