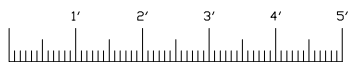
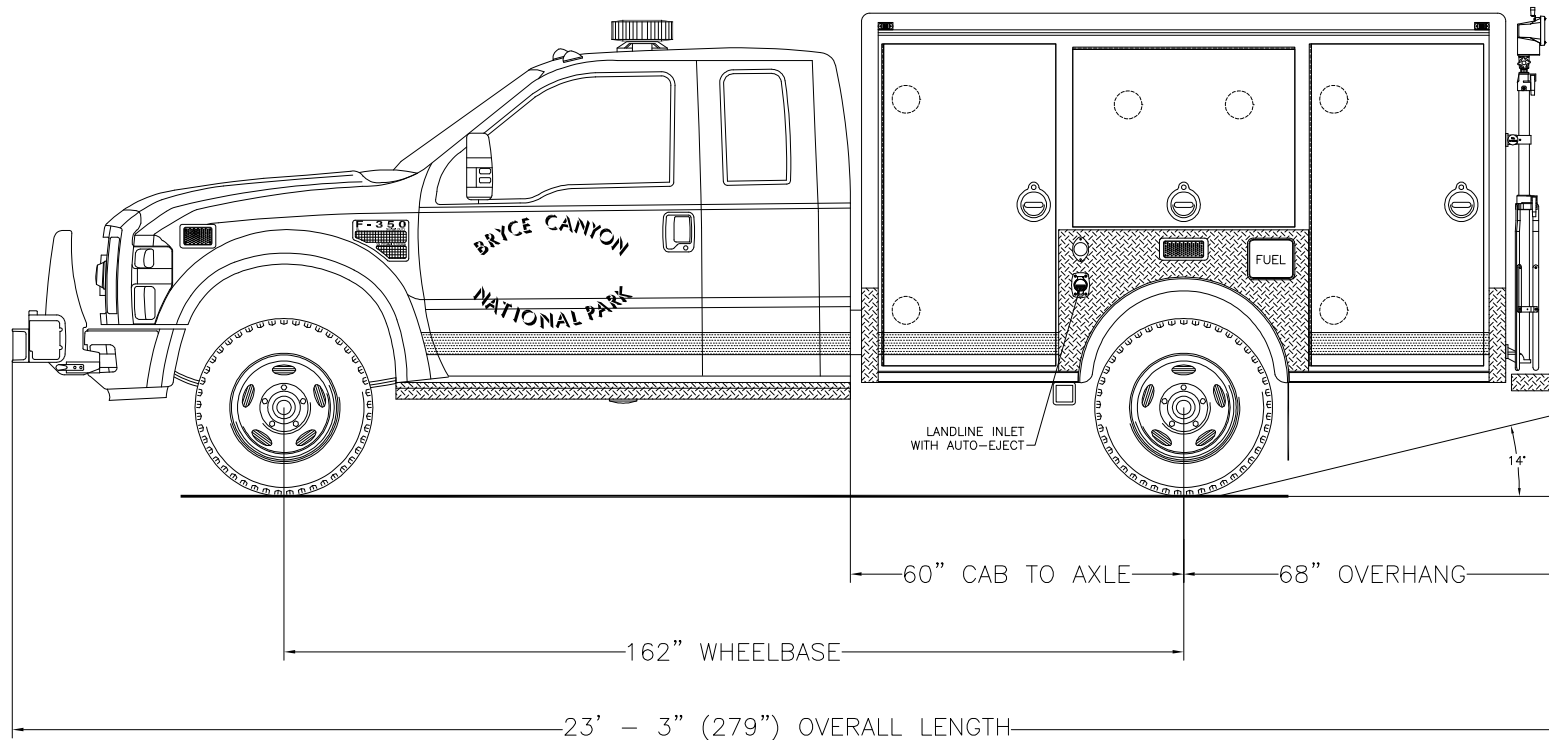


*EMERGENCY VEHICLES, INC.*

*Bryce Canyon Fire Department  
Bryce Canyon, Utah*



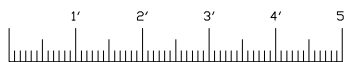
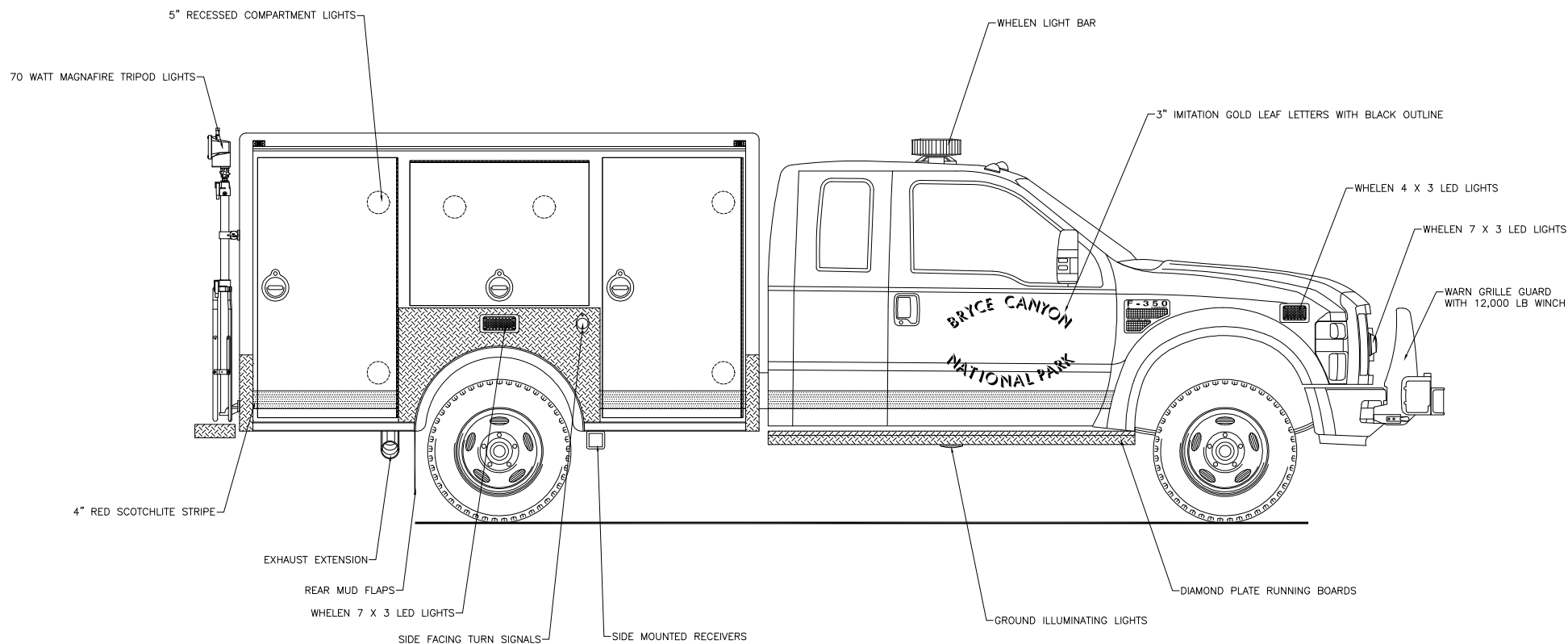
*Streetside Overall*

THESE DESIGN/ENGINEERING DRAWING(S) ARE THE PROPERTY OF EMERGENCY VEHICLES, INC. THEY ARE PROPRIETARY, AND ARE FOR THE EXCLUSIVE USE OF YOUR ENTITY. ANY DIVULGING OF THIS DATA TO A THIRD PARTY IS PROHIBITED.

*E.V. Penner* DATE: 09/07/07

REVISION 1	NS - 10/15/07
REVISION 2	-
REVISION 3	-
REVISION 4	-
REVISION 5	-

*Bryce Canyon Fire Department  
Bryce Canyon, Utah*

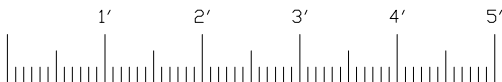
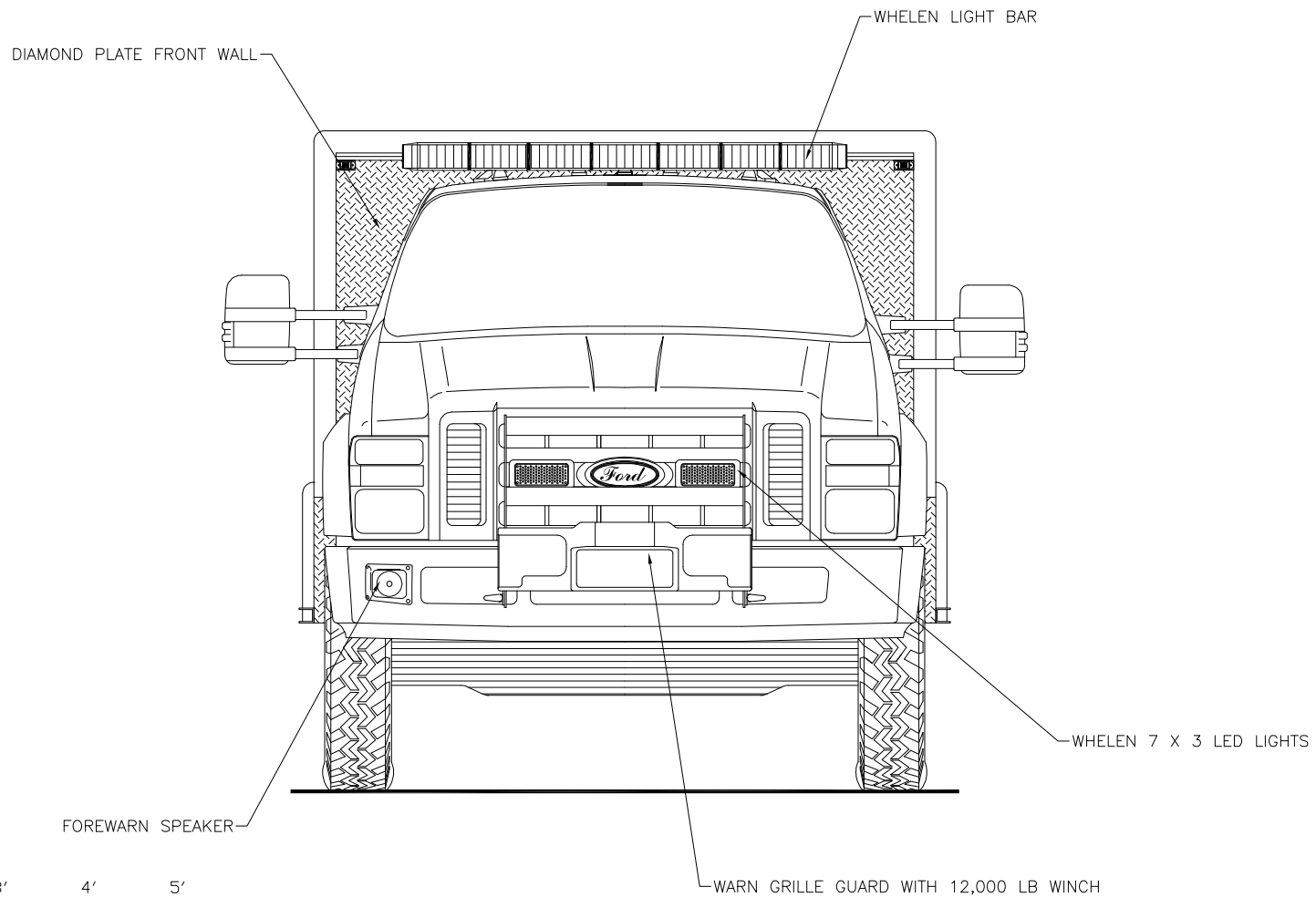


*Curbside Overall*

THESE DESIGN/ENGINEERING DRAWING(S) ARE THE PROPERTY OF EMERGENCY VEHICLES, INC. THEY ARE PROPRIETARY, AND ARE FOR THE EXCLUSIVE USE OF YOUR ENTITY. ANY DIVULGING OF THIS DATA TO A THIRD PARTY IS PROHIBITED.

*E.V. Penner* DATE: 09/07/07

REVISION 1	NS - 10/15/07
REVISION 2	-
REVISION 3	-
REVISION 4	-
REVISION 5	-



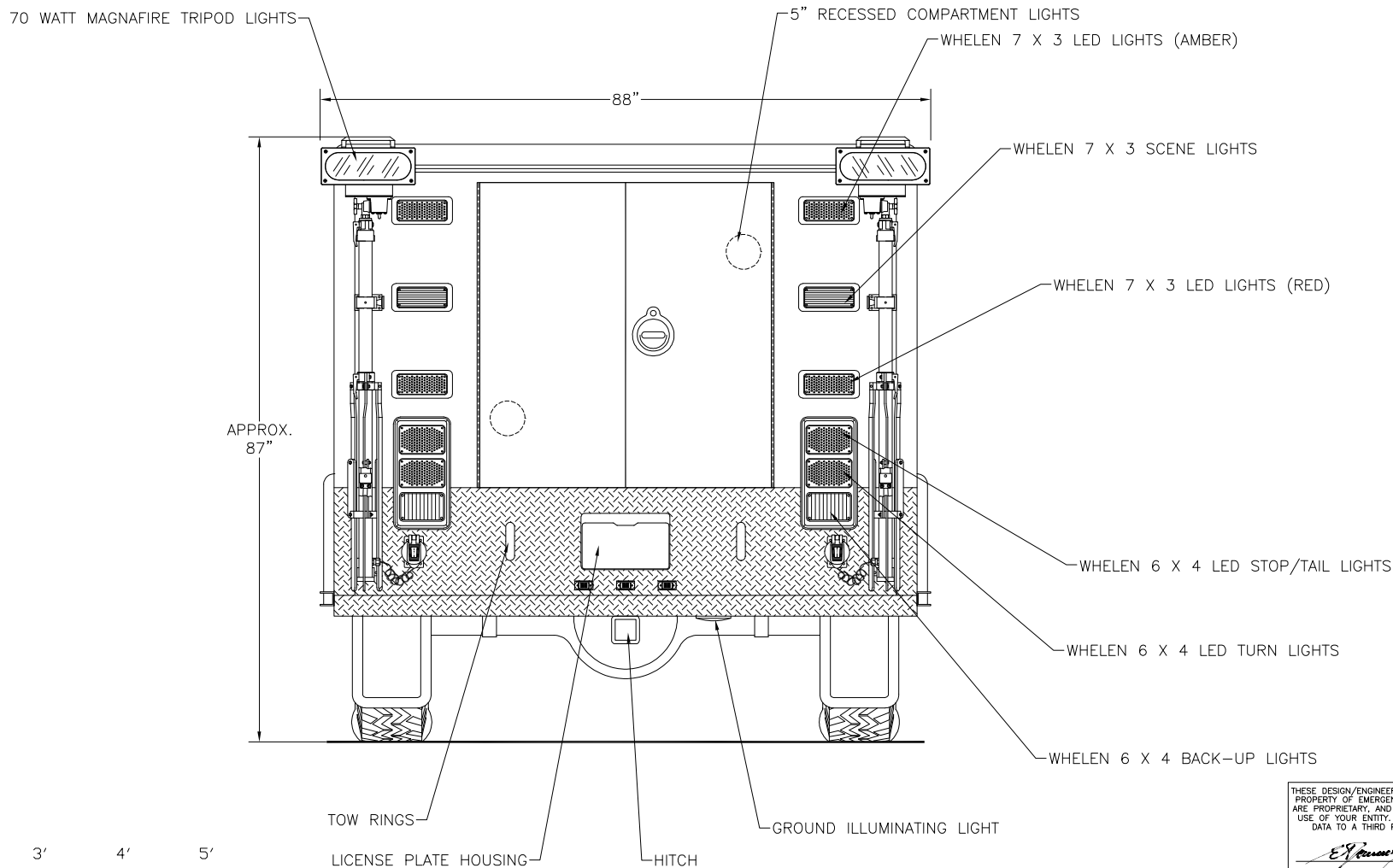
*Front View*

THESE DESIGN/ENGINEERING DRAWING(S) ARE THE PROPERTY OF EMERGENCY VEHICLES, INC. THEY ARE PROPRIETARY, AND ARE FOR THE EXCLUSIVE USE OF YOUR ENTITY. ANY DIVULGING OF THIS DATA TO A THIRD PARTY IS PROHIBITED.

*E.V. [Signature]* DATE: 09/07/07

REVISION 1	NS - 10/15/07
REVISION 2	-
REVISION 3	-
REVISION 4	-
REVISION 5	-

*Bryce Canyon Fire Department  
Bryce Canyon, Utah*



*Rear View*

THESE DESIGN/ENGINEERING DRAWING(S) ARE THE PROPERTY OF EMERGENCY VEHICLES, INC. THEY ARE PROPRIETARY, AND ARE FOR THE EXCLUSIVE USE OF YOUR ENTITY. ANY DIVULGING OF THIS DATA TO A THIRD PARTY IS PROHIBITED.

*E.V. Inc.* DATE: 09/07/07

REVISION 1	-
REVISION 2	-
REVISION 3	-
REVISION 4	-
REVISION 5	-