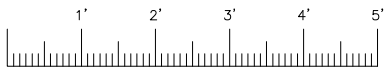
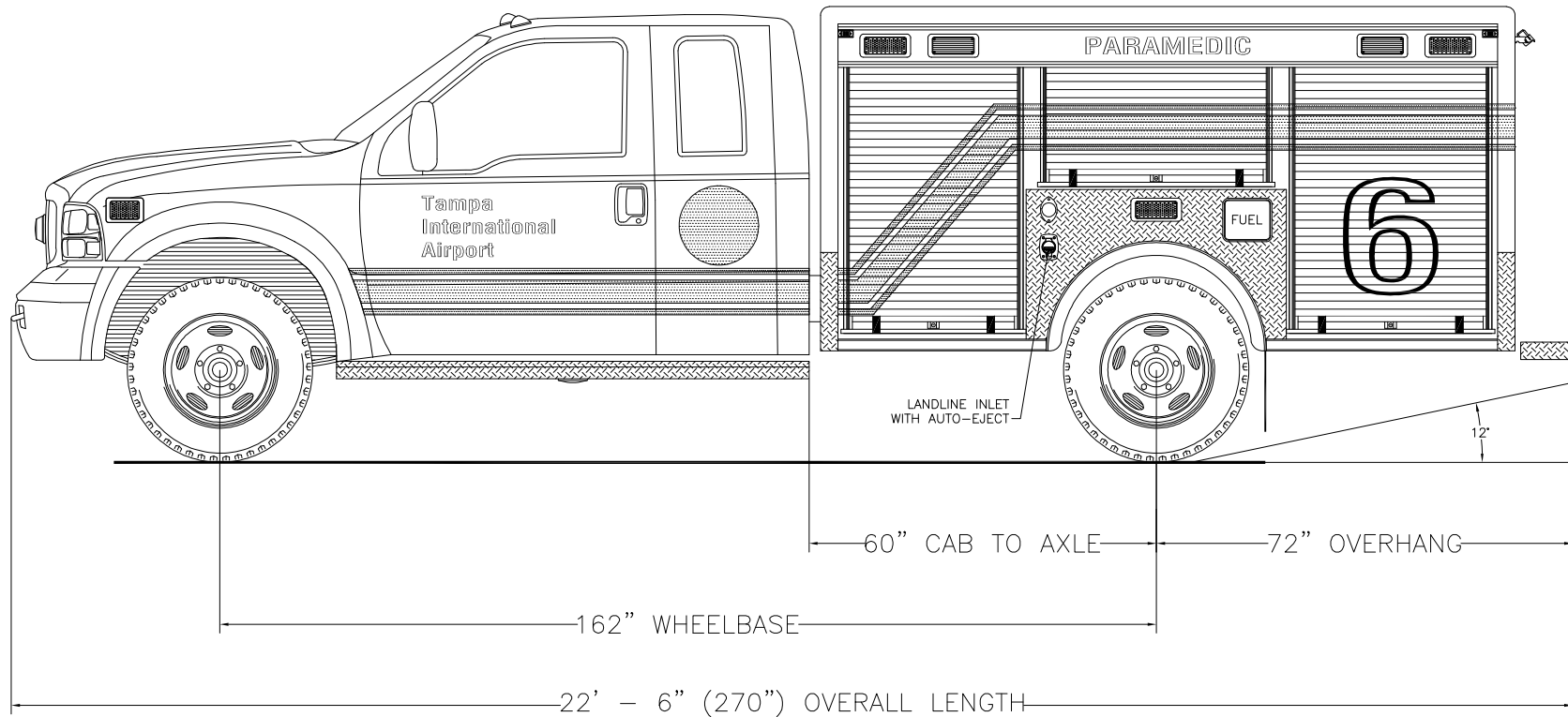


*EMERGENCY VEHICLES, INC.*

*Hillsborough County Aviation Authority  
Tampa, Florida*

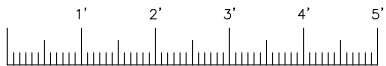
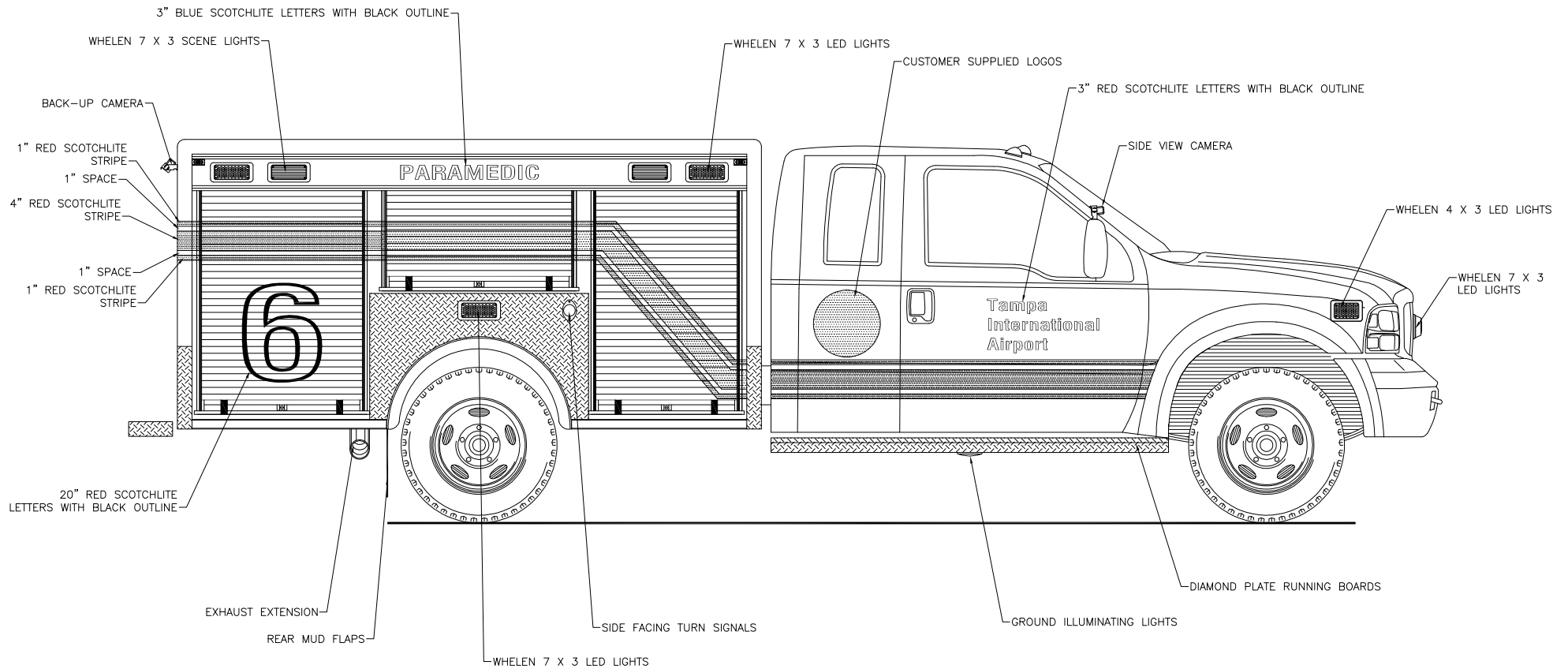


*Streetside Overall*

THESE DESIGN/ENGINEERING DRAWING(S) ARE THE PROPERTY OF EMERGENCY VEHICLES, INC. THEY ARE PROPRIETARY, AND ARE FOR THE EXCLUSIVE USE OF YOUR ENTITY. ANY DIVULGING OF THIS DATA TO A THIRD PARTY IS PROHIBITED.

*[Signature]* DATE: 11/09/06

REVISION 1	NS - 06/07/07
REVISION 2	-
REVISION 3	-
REVISION 4	-
REVISION 5	-

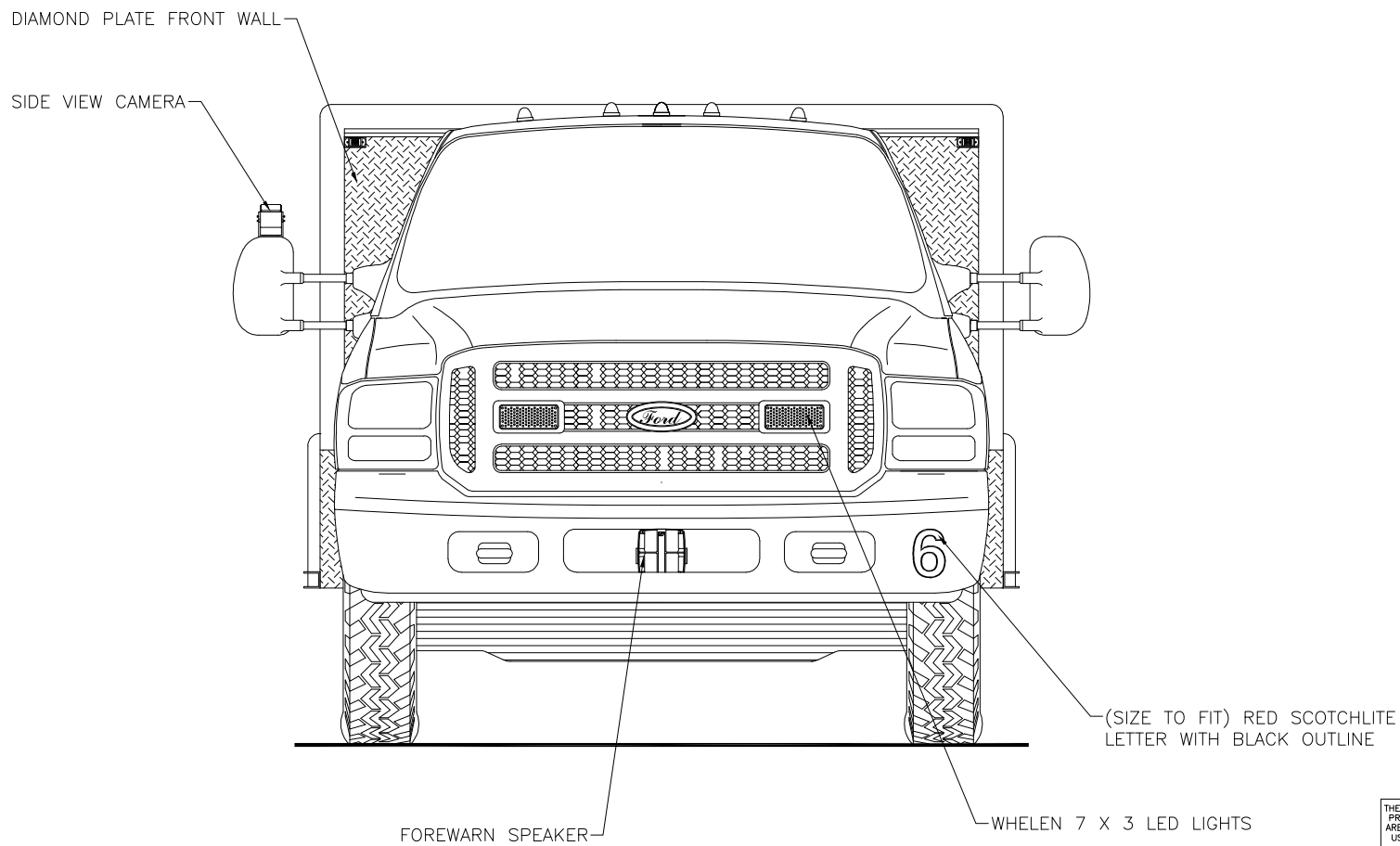


*Curbside Overall*

THESE DESIGN/ENGINEERING DRAWING(S) ARE THE PROPERTY OF EMERGENCY VEHICLES, INC. THEY ARE PROPRIETARY, AND ARE FOR THE EXCLUSIVE USE OF YOUR ENTITY. ANY DIVULGING OF THIS DATA TO A THIRD PARTY IS PROHIBITED.

*[Signature]* DATE: 11/09/06

REVISION 1	NS - 06/07/07
REVISION 2	-
REVISION 3	-
REVISION 4	-
REVISION 5	-

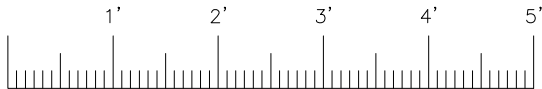
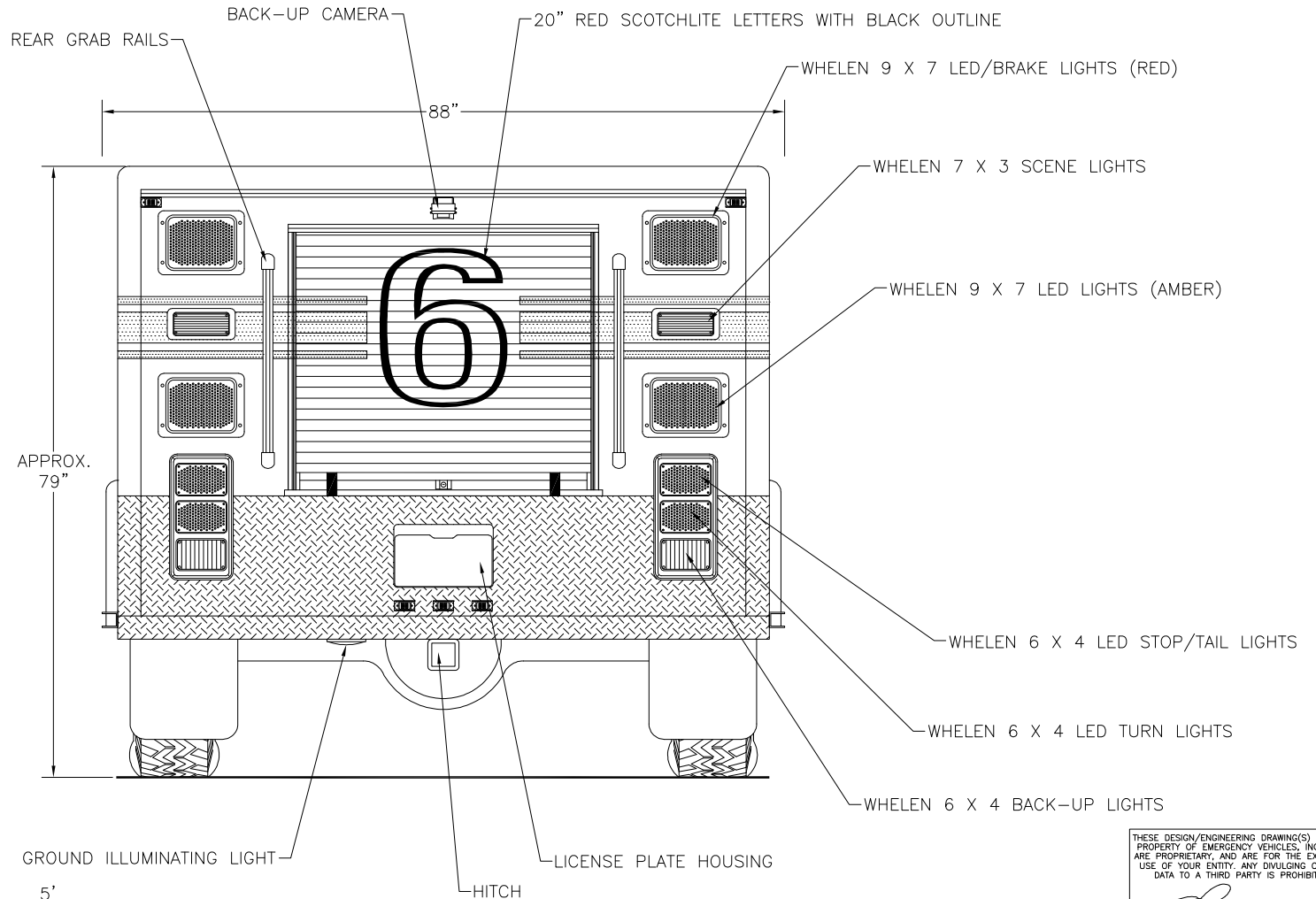


*Front View*

THESE DESIGN/ENGINEERING DRAWING(S) ARE THE PROPERTY OF EMERGENCY VEHICLES, INC. THEY ARE PROPRIETARY, AND ARE FOR THE EXCLUSIVE USE OF YOUR ENTITY. ANY DIVULGING OF THIS DATA TO A THIRD PARTY IS PROHIBITED.

*[Signature]* DATE: 11/09/06

REVISION 1	NS - 06/07/07
REVISION 2	-
REVISION 3	-
REVISION 4	-
REVISION 5	-



*Rear View*

THESE DESIGN/ENGINEERING DRAWING(S) ARE THE PROPERTY OF EMERGENCY VEHICLES, INC. THEY ARE PROPRIETARY, AND ARE FOR THE EXCLUSIVE USE OF YOUR ENTITY. ANY DIVULGING OF THIS DATA TO A THIRD PARTY IS PROHIBITED.

*[Signature]* DATE: 11/09/06

REVISION 1	NS - 06/07/07
REVISION 2	-
REVISION 3	-
REVISION 4	-
REVISION 5	-