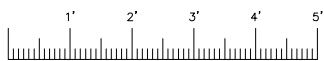
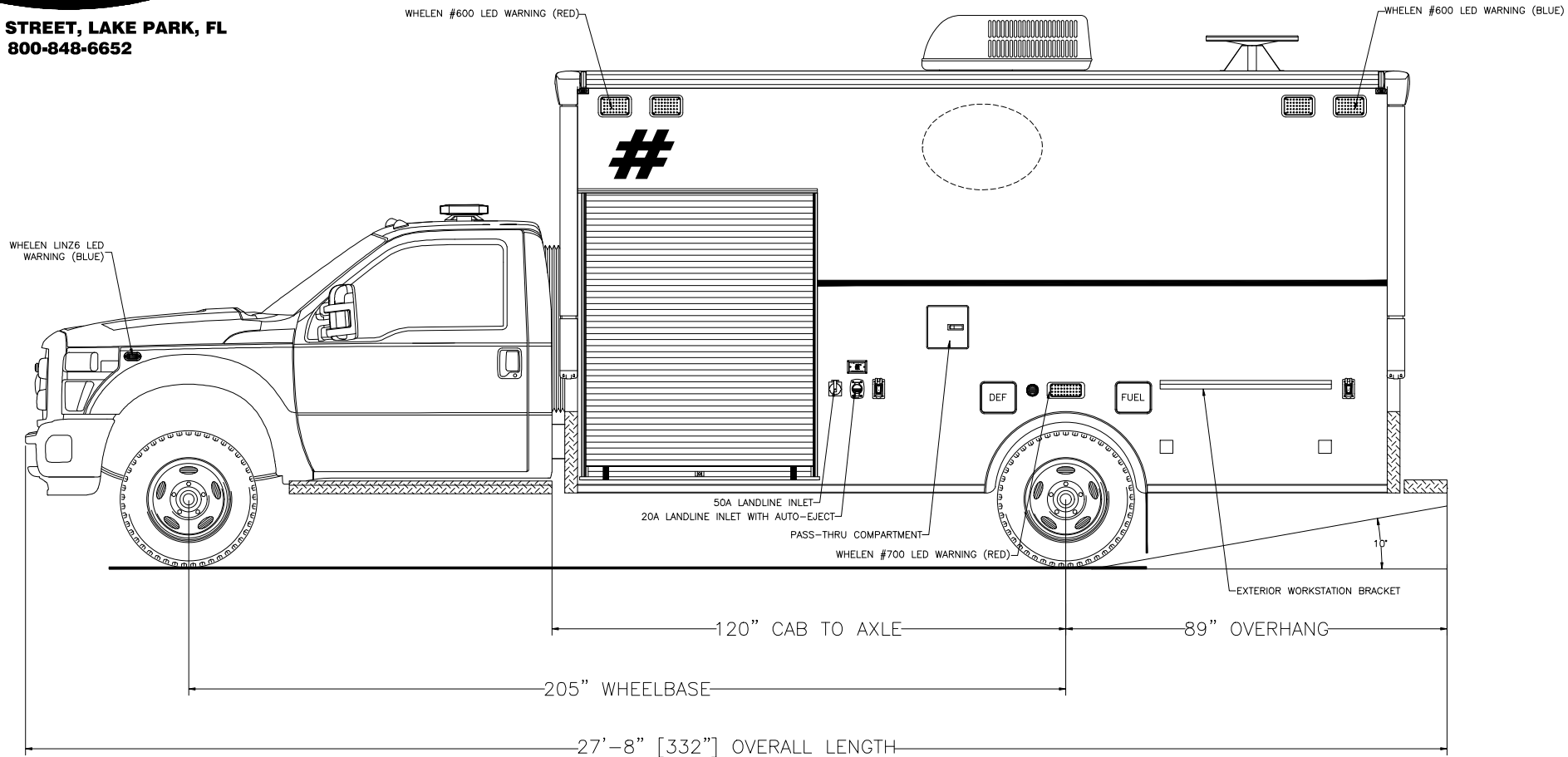




705 13TH STREET, LAKE PARK, FL
800-848-6652

County of Napa
Napa, California



Streetside Overall

THESE DESIGN/ENGINEERING DRAWING(S) ARE THE PROPERTY OF EMERGENCY VEHICLES, INC. THEY ARE PROPRIETARY, AND ARE FOR THE EXCLUSIVE USE OF YOUR ENTITY. ANY DIVULGING OF THIS DATA TO A THIRD PARTY IS PROHIBITED.

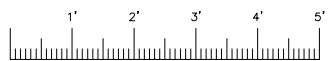
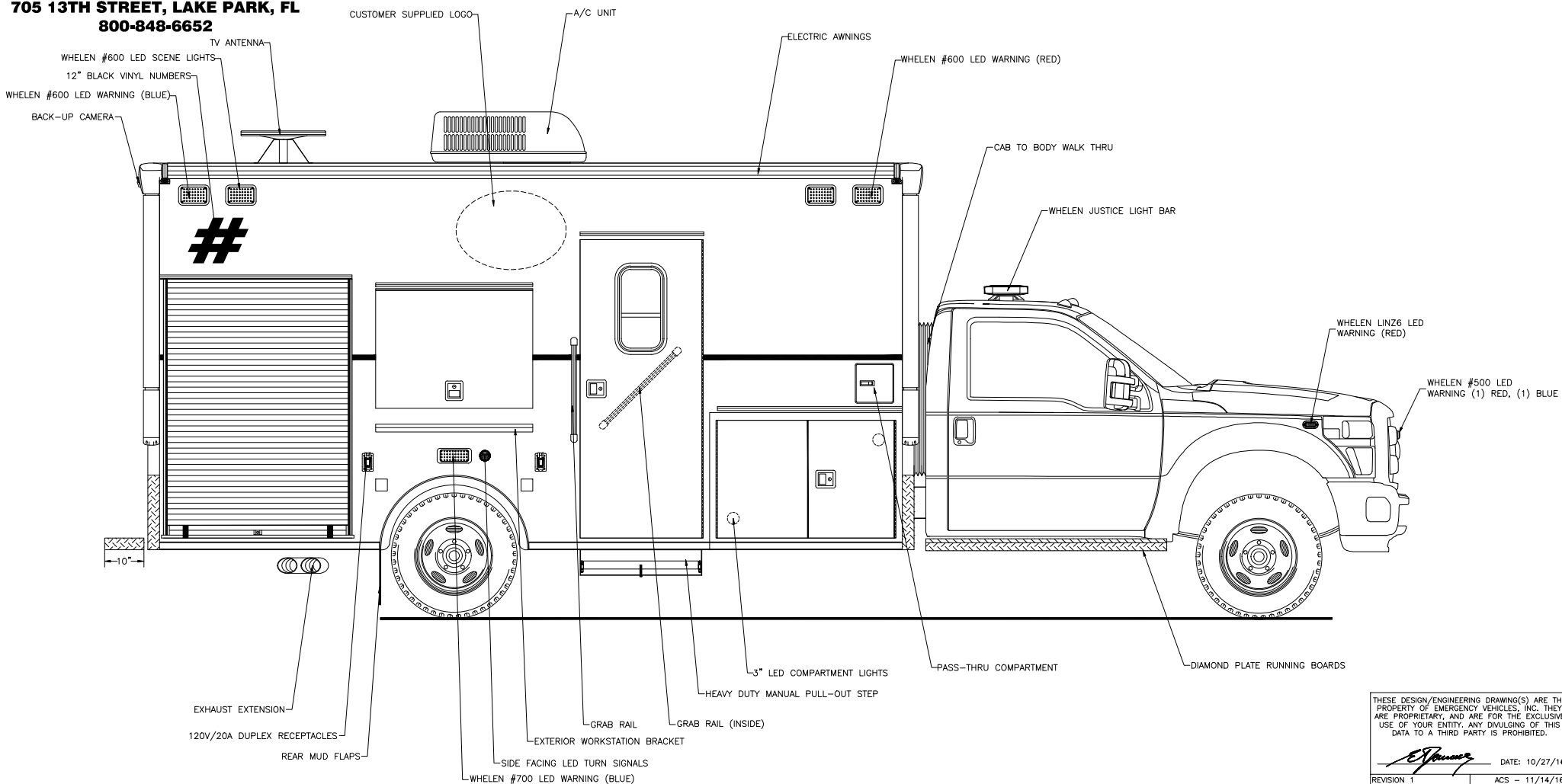
E. J. ... DATE: 10/27/16

REVISION 1	ACS - 11/14/16
REVISION 2	ACS - 11/29/16
REVISION 3	-
REVISION 4	-
REVISION 5	-



705 13TH STREET, LAKE PARK, FL
800-848-6652

County of Napa
Napa, California



Curbside Overall

THESE DESIGN/ENGINEERING DRAWING(S) ARE THE PROPERTY OF EMERGENCY VEHICLES, INC. THEY ARE PROPRIETARY, AND ARE FOR THE EXCLUSIVE USE OF YOUR ENTITY. ANY DIVULGING OF THIS DATA TO A THIRD PARTY IS PROHIBITED.

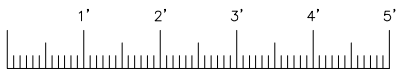
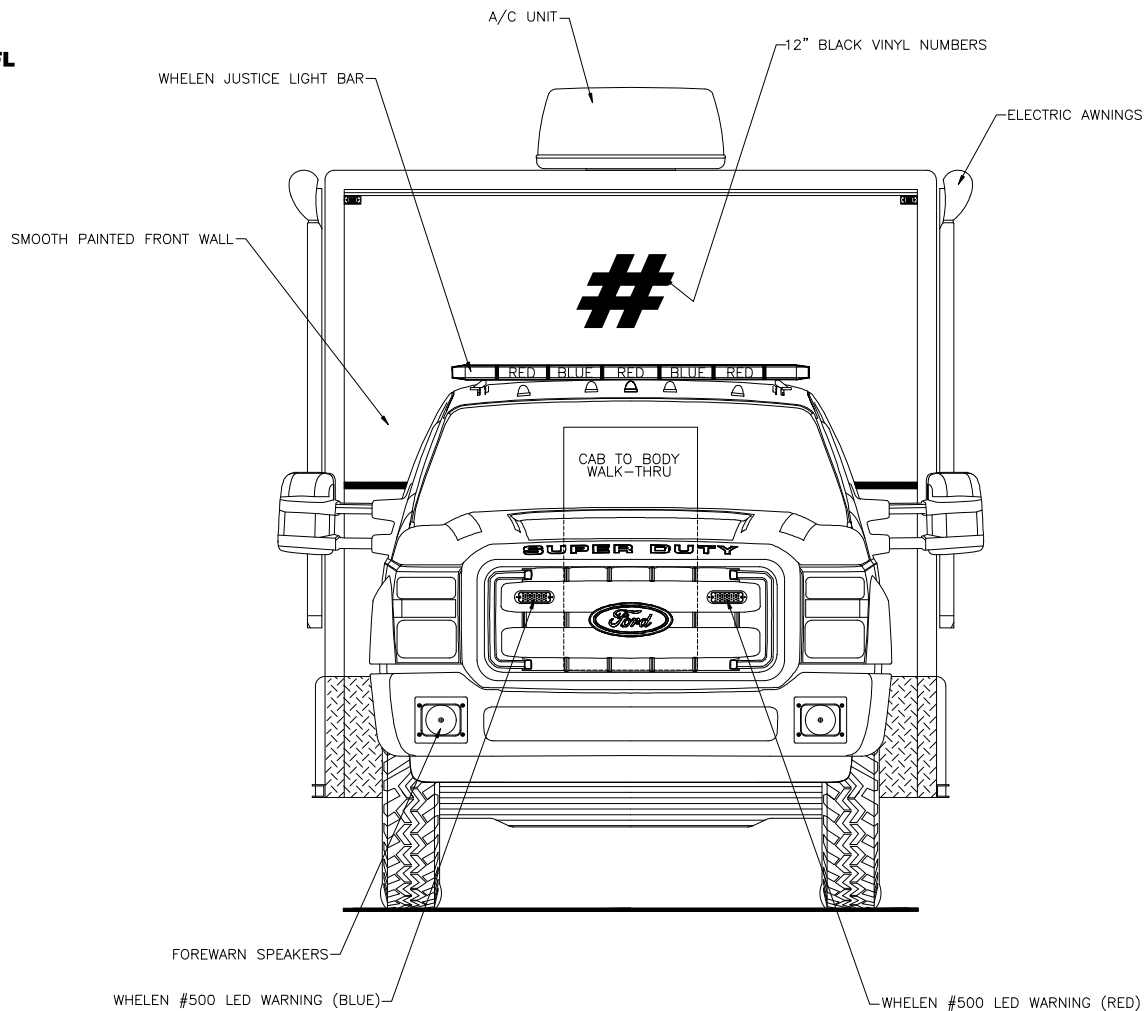
EVI DATE: 10/27/16

REVISION 1	ACS - 11/14/16
REVISION 2	ACS - 11/29/16
REVISION 3	-
REVISION 4	-
REVISION 5	-



705 13TH STREET, LAKE PARK, FL
800-848-6652

County of Napa
Napa, California



Front View

THESE DESIGN/ENGINEERING DRAWING(S) ARE THE PROPERTY OF EMERGENCY VEHICLES, INC. THEY ARE PROPRIETARY, AND ARE FOR THE EXCLUSIVE USE OF YOUR ENTITY. ANY DIVULGING OF THIS DATA TO A THIRD PARTY IS PROHIBITED.

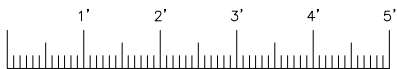
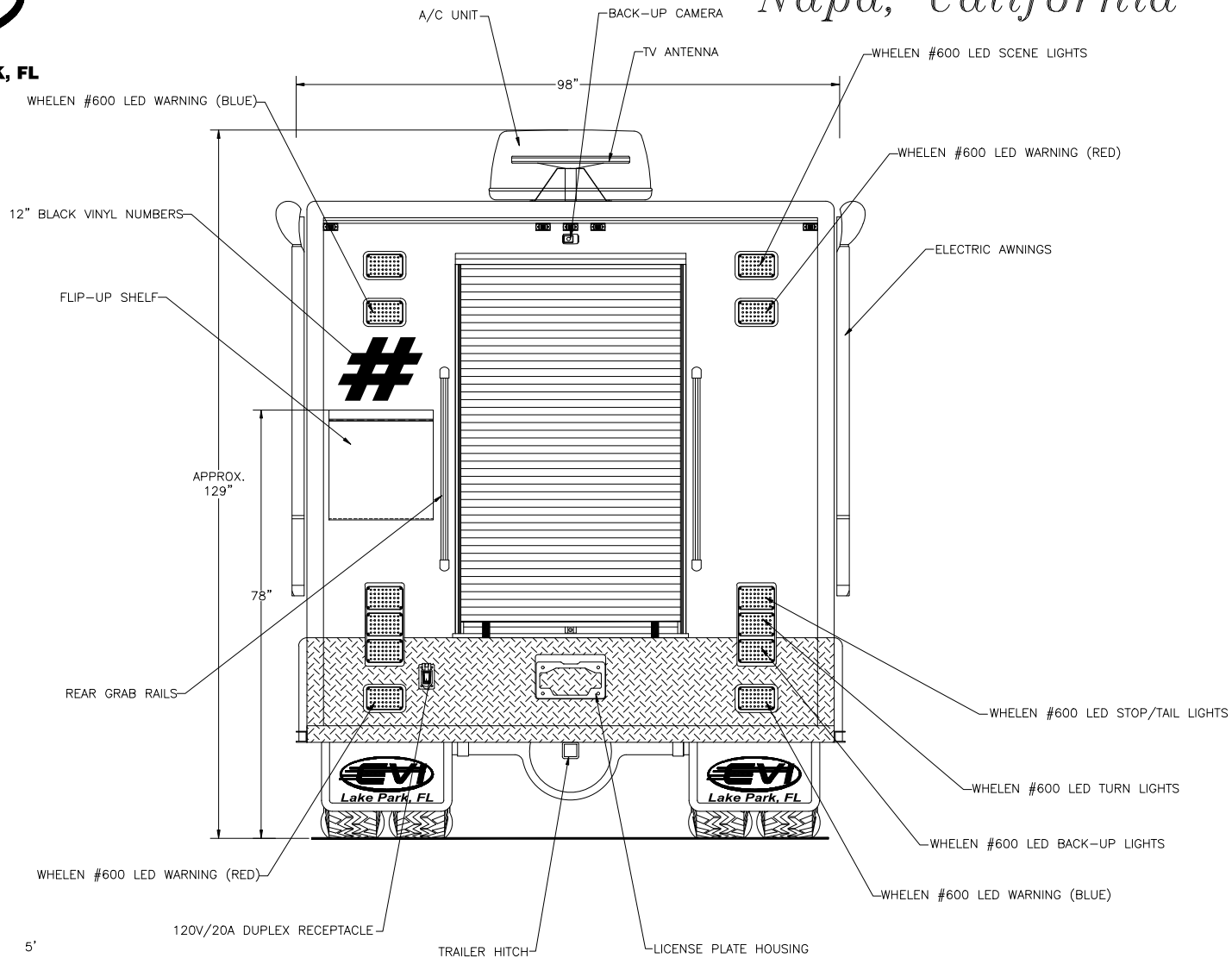
E. J. ... DATE: 10/27/16

REVISION 1	ACS - 11/14/16
REVISION 2	ACS - 11/29/16
REVISION 3	-
REVISION 4	-
REVISION 5	-



705 13TH STREET, LAKE PARK, FL
800-848-6652

County of Napa
Napa, California



Rear View

THESE DESIGN/ENGINEERING DRAWING(S) ARE THE PROPERTY OF EMERGENCY VEHICLES, INC. THEY ARE PROPRIETARY, AND ARE FOR THE EXCLUSIVE USE OF YOUR ENTITY. ANY DIVULGING OF THIS DATA TO A THIRD PARTY IS PROHIBITED.

		DATE: 10/27/16
REVISION 1	ACS	11/14/16
REVISION 2	ACS	11/29/16
REVISION 3	-	-
REVISION 4	-	-
REVISION 5	-	-