

Curbside Overall

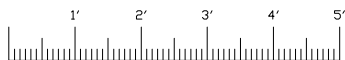
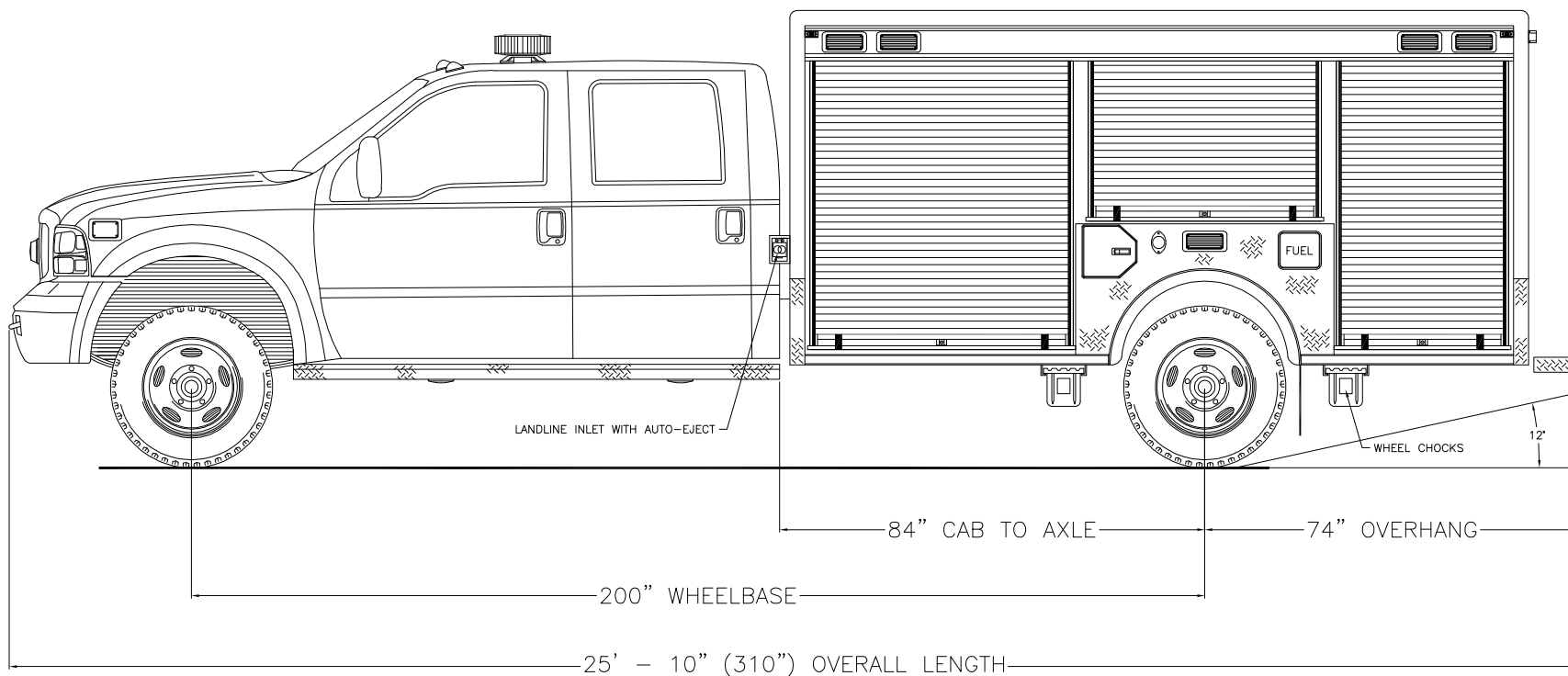
THESE DESIGN/ENGINEERING DRAWING(S) ARE THE PROPERTY OF EMERGENCY VEHICLES, INC. THEY ARE PROPRIETARY, AND ARE FOR THE EXCLUSIVE USE OF YOUR ENTITY. ANY DIVULGING OF THIS DATA TO A THIRD PARTY IS PROHIBITED.

[Signature] DATE: 02/25/05

REVISION 1	NS - 03/28/05
REVISION 2	-
REVISION 3	-
REVISION 4	-
REVISION 5	-

EMERGENCY VEHICLES, INC.

*Tri Community Fire Department
Columbia, Mississippi*

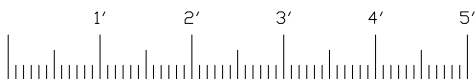
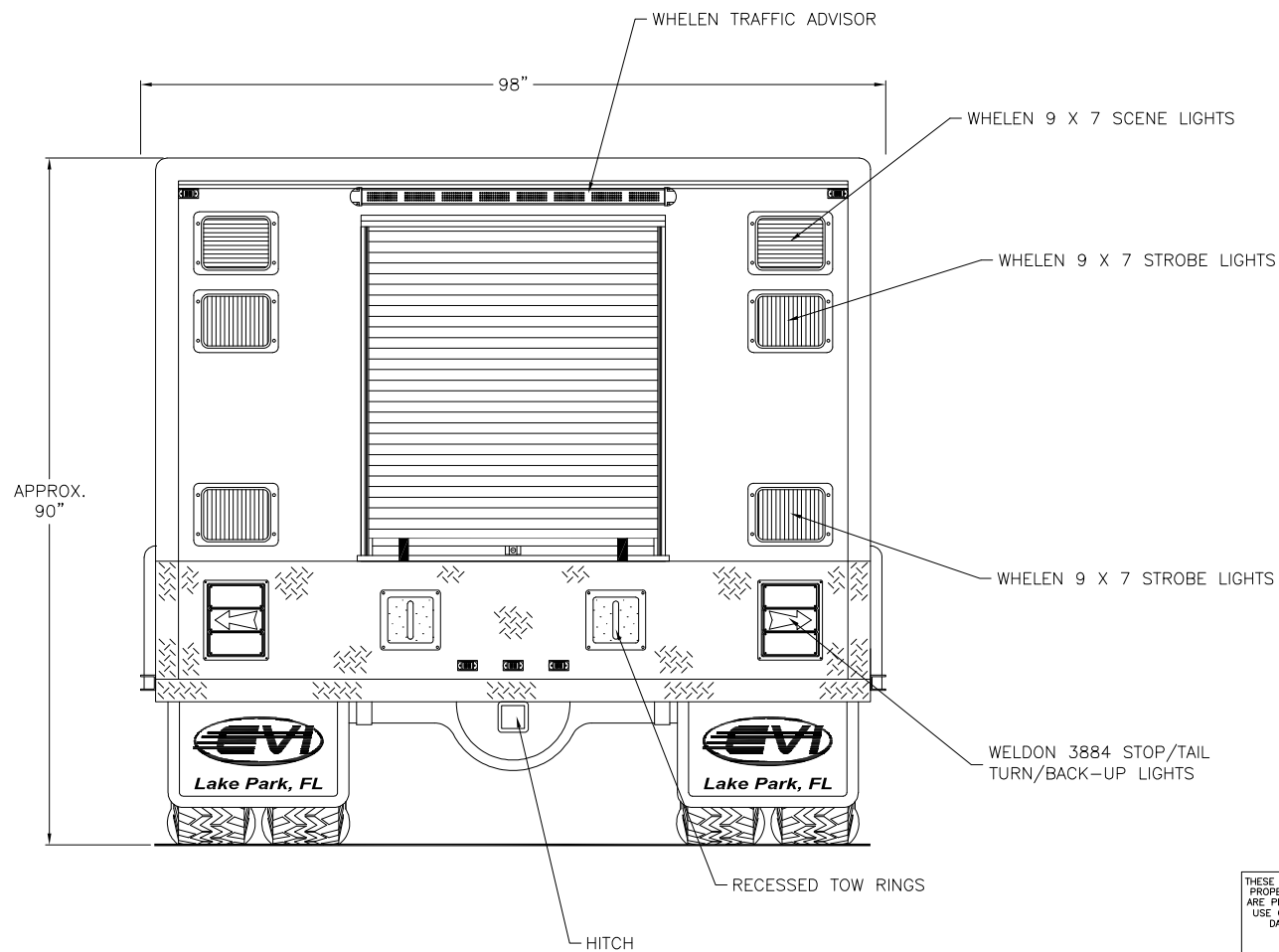


Streetside Overall

THESE DESIGN/ENGINEERING DRAWING(S) ARE THE PROPERTY OF EMERGENCY VEHICLES, INC. THEY ARE PROPRIETARY, AND ARE FOR THE EXCLUSIVE USE OF YOUR ENTITY. ANY DIVULGING OF THIS DATA TO A THIRD PARTY IS PROHIBITED.

[Signature] DATE: 02/25/05

REVISION 1	NS - 03/28/05
REVISION 2	-
REVISION 3	-
REVISION 4	-
REVISION 5	-

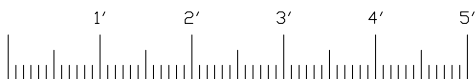
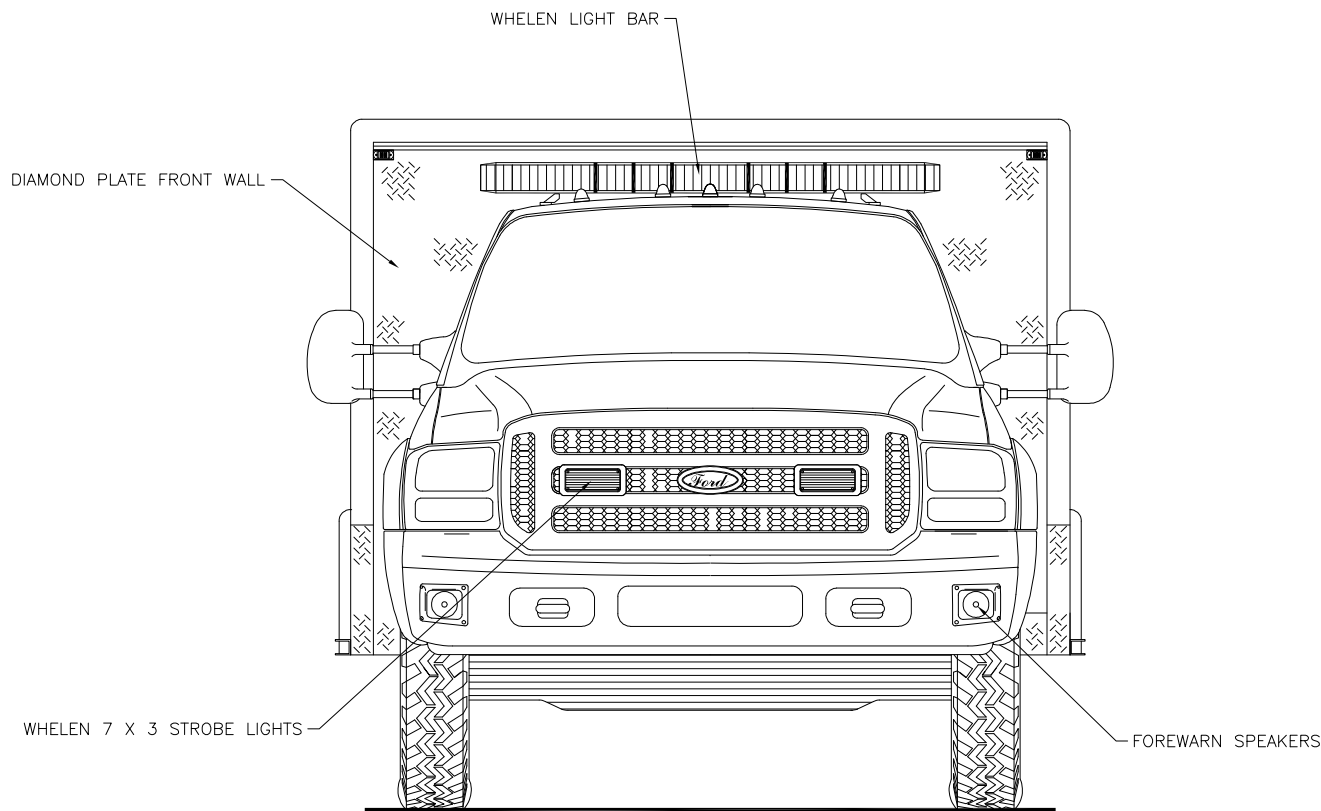


Rear View

THESE DESIGN/ENGINEERING DRAWING(S) ARE THE PROPERTY OF EMERGENCY VEHICLES, INC. THEY ARE PROPRIETARY, AND ARE FOR THE EXCLUSIVE USE OF YOUR ENTITY. ANY DIVULGING OF THIS DATA TO A THIRD PARTY IS PROHIBITED.

[Signature] DATE: 02/25/05

REVISION 1	NS - 03/28/05
REVISION 2	-
REVISION 3	-
REVISION 4	-
REVISION 5	-



Front View

THESE DESIGN/ENGINEERING DRAWING(S) ARE THE PROPERTY OF EMERGENCY VEHICLES, INC. THEY ARE PROPRIETARY, AND ARE FOR THE EXCLUSIVE USE OF YOUR ENTITY. ANY DIVULGING OF THIS DATA TO A THIRD PARTY IS PROHIBITED.

[Signature] DATE: 02/25/05

REVISION 1	NS - 03/28/05
REVISION 2	-
REVISION 3	-
REVISION 4	-
REVISION 5	-