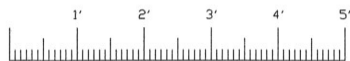
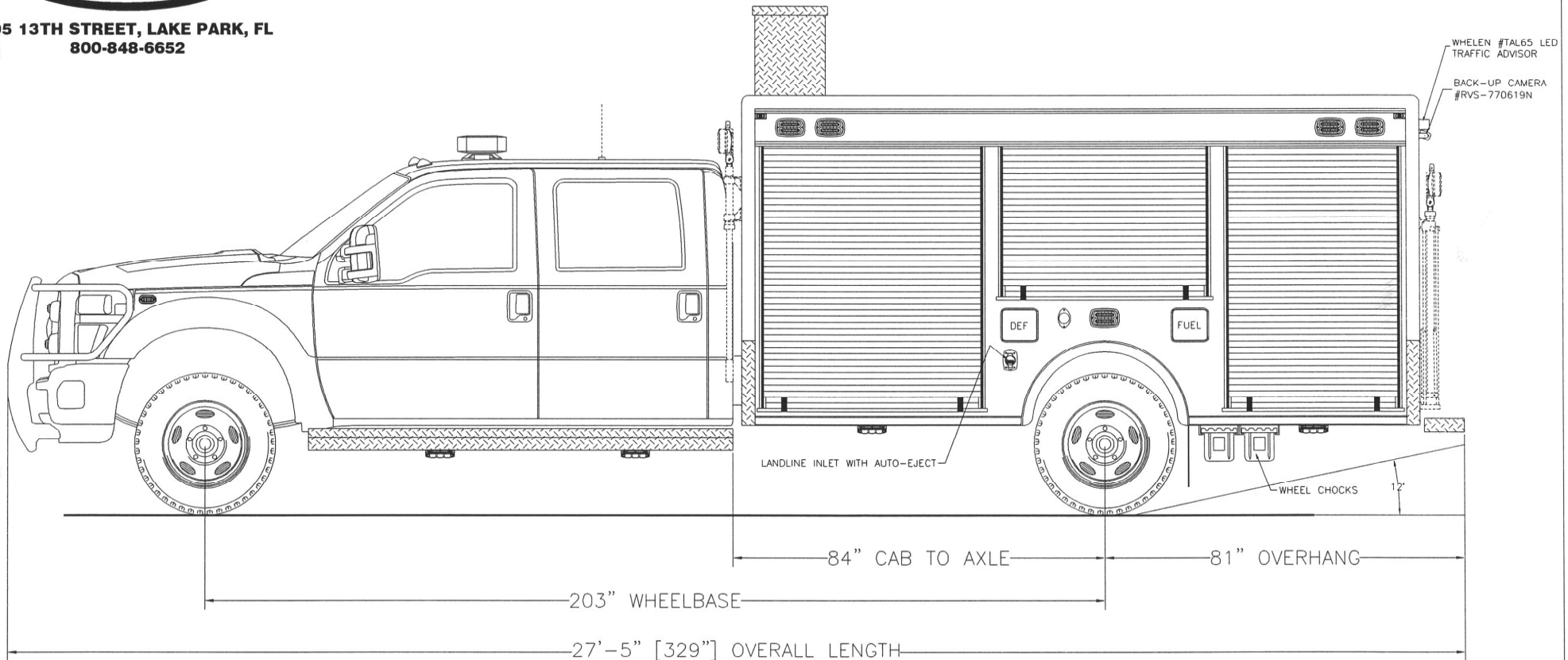




705 13TH STREET, LAKE PARK, FL  
800-848-6652

# Township of Ocean New Jersey Fire District #2



Streetside Overall

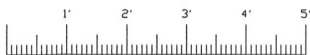
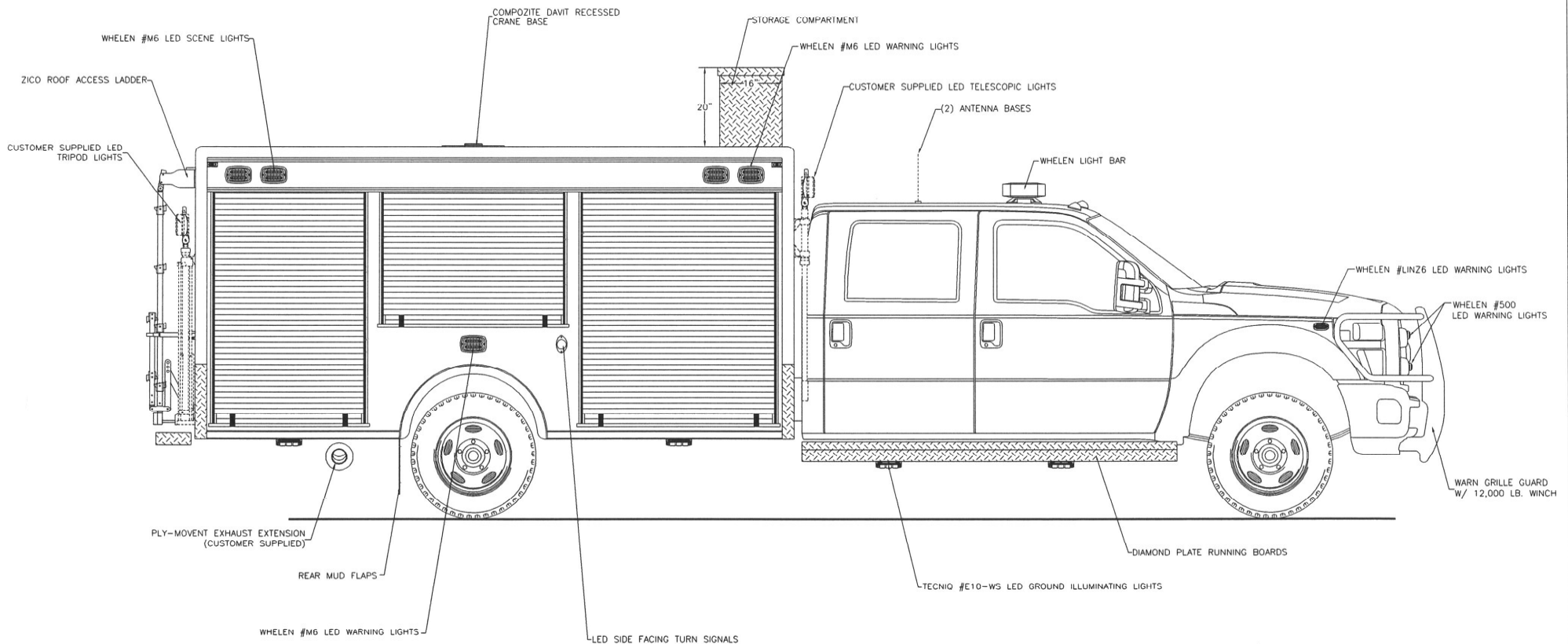
THESE DESIGN/ENGINEERING DRAWING(S) ARE THE PROPERTY OF EMERGENCY VEHICLES, INC. THEY ARE PROPRIETARY, AND ARE FOR THE EXCLUSIVE USE OF YOUR ENTITY. ANY DIVULGING OF THIS DATA TO A THIRD PARTY IS PROHIBITED.

<i>E. J. [Signature]</i>		DATE: 11/01/16
REVISION 1	ACS - 11/08/16	
REVISION 2	NS - 04/07/17	
REVISION 3	ACS - 06/07/17	
REVISION 4	NS - 06/27/17	
REVISION 5	-	



705 13TH STREET, LAKE PARK, FL  
800-848-6652

# Township of Ocean New Jersey Fire District #2



## Curbside Overall

THESE DESIGN/ENGINEERING DRAWING(S) ARE THE PROPERTY OF EMERGENCY VEHICLES, INC. THEY ARE PROPRIETARY, AND ARE FOR THE EXCLUSIVE USE OF YOUR ENTITY. ANY DIVULGING OF THIS DATA TO A THIRD PARTY IS PROHIBITED.

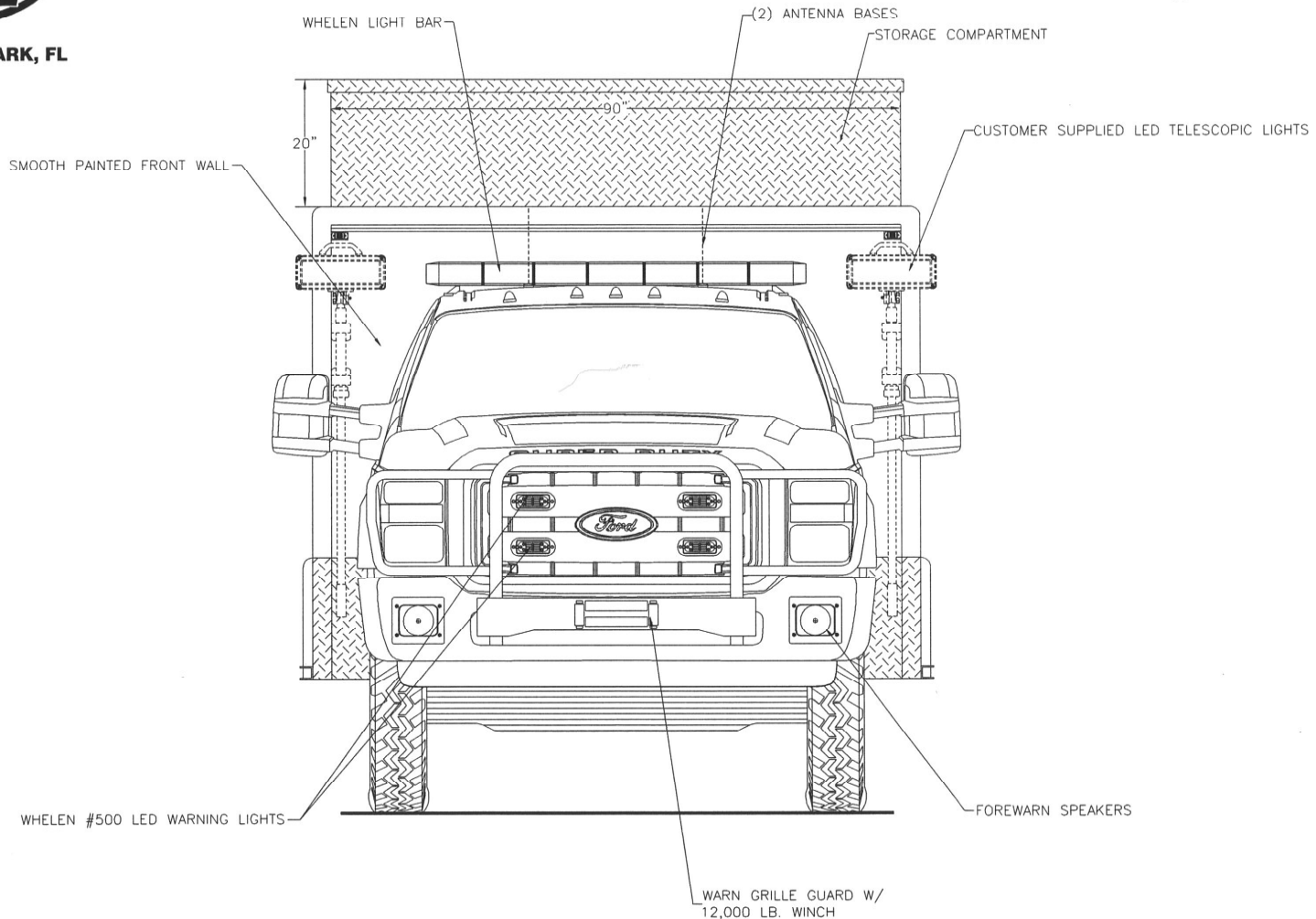
*E. J. ...* DATE: 11/01/16

REVISION 1	ACS - 11/08/16
REVISION 2	NS - 04/07/17
REVISION 3	ACS - 06/07/17
REVISION 4	NS - 06/27/17
REVISION 5	-



705 13TH STREET, LAKE PARK, FL  
800-848-6652

# Township of Ocean New Jersey Fire District #2



Front View

THESE DESIGN/ENGINEERING DRAWING(S) ARE THE PROPERTY OF EMERGENCY VEHICLES, INC. THEY ARE PROPRIETARY AND ARE FOR THE EXCLUSIVE USE OF YOUR ENTITY. ANY DIVULGING OF THIS DATA TO A THIRD PARTY IS PROHIBITED.

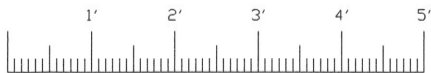
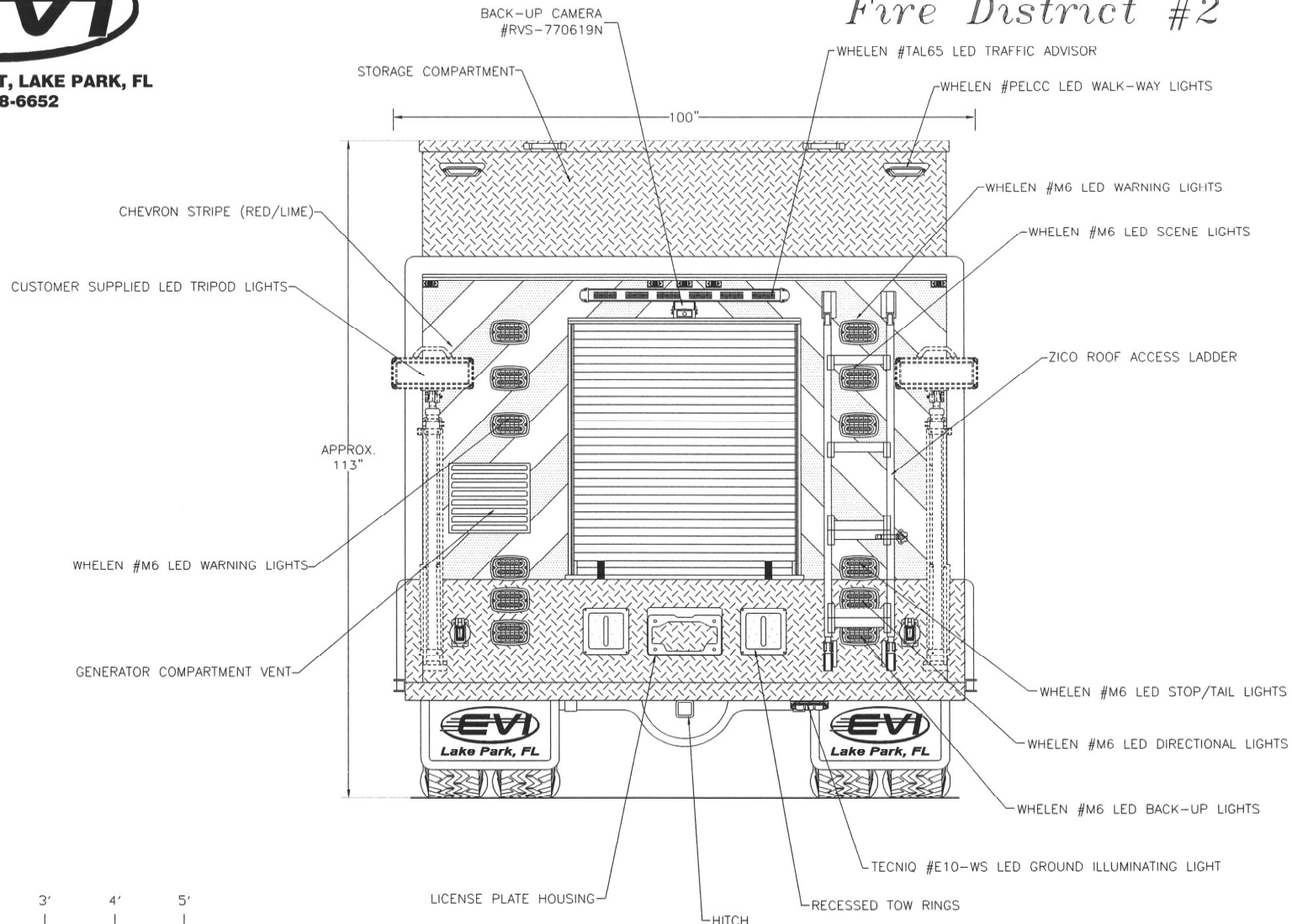
*E. J. [Signature]* DATE: 11/01/16

REVISION 1	ACS - 11/08/16
REVISION 2	NS - 04/07/17
REVISION 3	ACS - 06/07/17
REVISION 4	NS - 06/27/17
REVISION 5	-



705 13TH STREET, LAKE PARK, FL  
800-848-6652

# Township of Ocean New Jersey Fire District #2



Rear View

THESE DESIGN/ENGINEERING DRAWING(S) ARE THE PROPERTY OF EMERGENCY VEHICLES, INC. THEY ARE PROPRIETARY, AND ARE FOR THE EXCLUSIVE USE OF YOUR ENTITY. ANY DIVULGING OF THIS DATA TO A THIRD PARTY IS PROHIBITED.

<i>E. J. ...</i>		DATE: 11/01/16
REVISION 1	ACS - 11/08/16	
REVISION 2	NS - 04/07/17	
REVISION 3	ACS - 06/07/17	
REVISION 4	NS - 06/27/17	
REVISION 5	-	