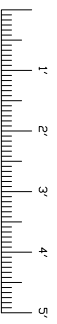
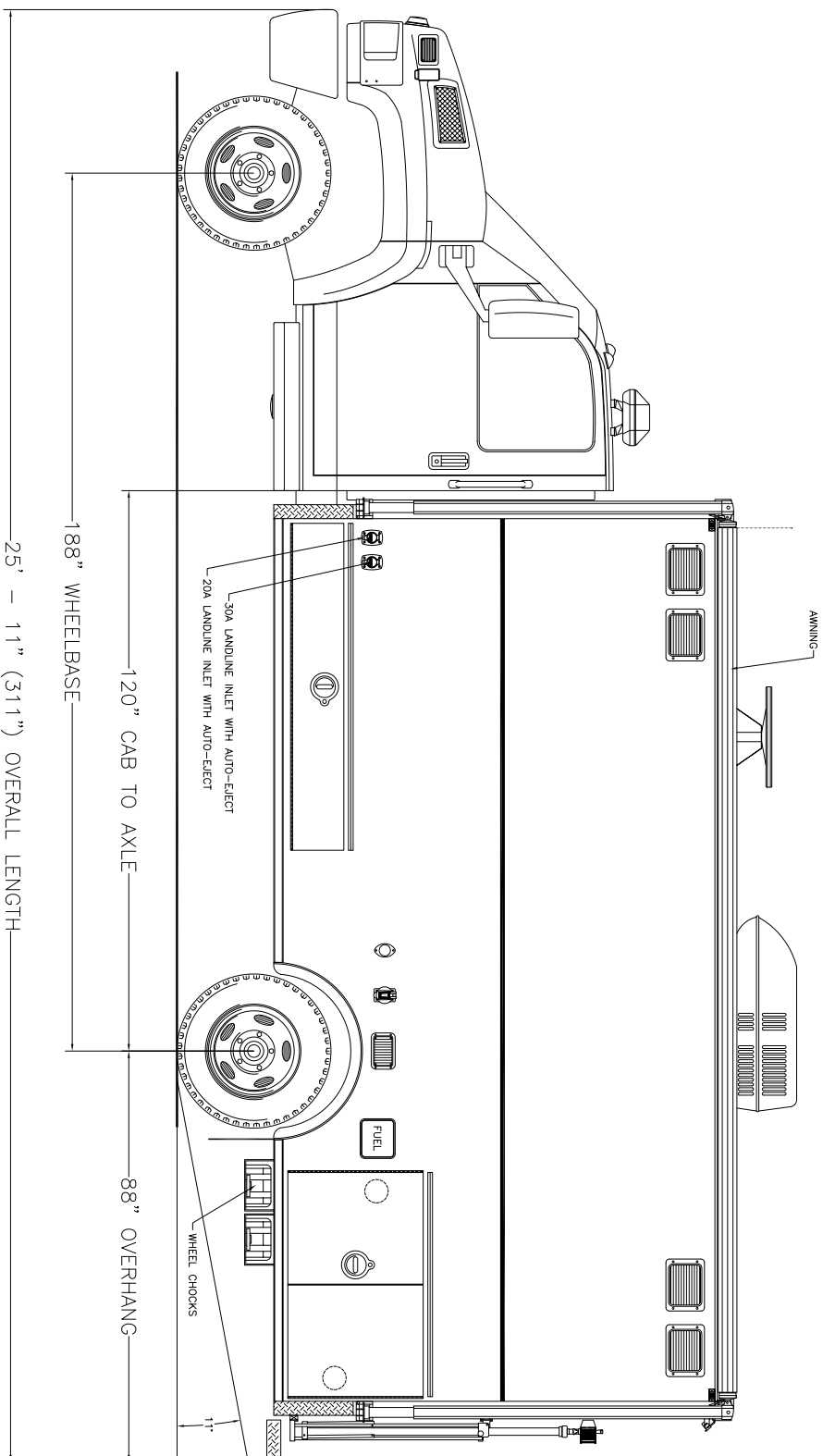


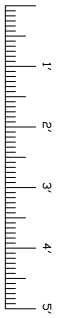
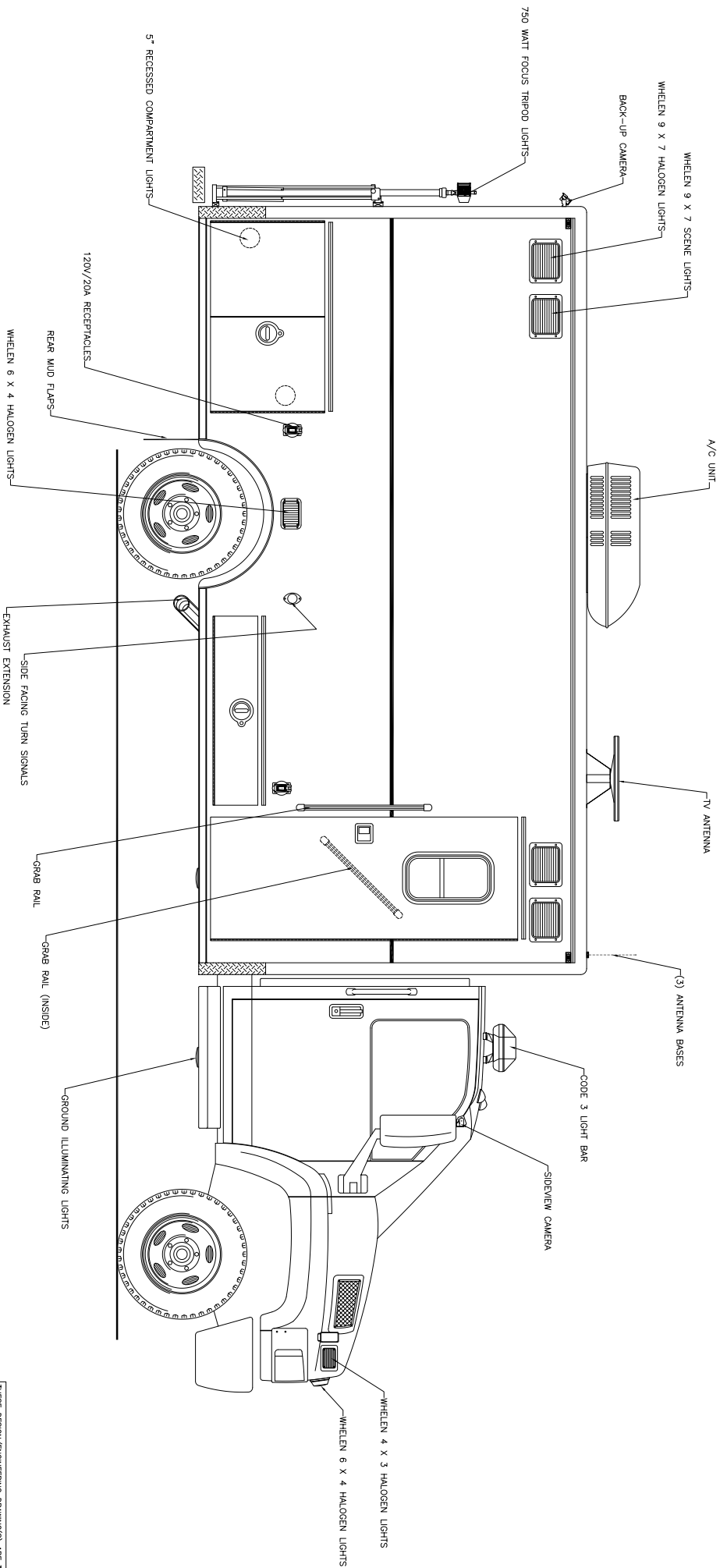
*DEMA
Smyrna, Delaware*



Streetside Overall

THESE DESIGN/ENGINEERING DRAWINGS ARE THE PROPERTY OF EMERGENCY VEHICLES, INC. THEY ARE PROPRIETARY AND ARE FOR THE EXCLUSIVE USE OF THE CLIENT. REPRODUCTION OR DISTRIBUTION TO A THIRD PARTY IS PROHIBITED.

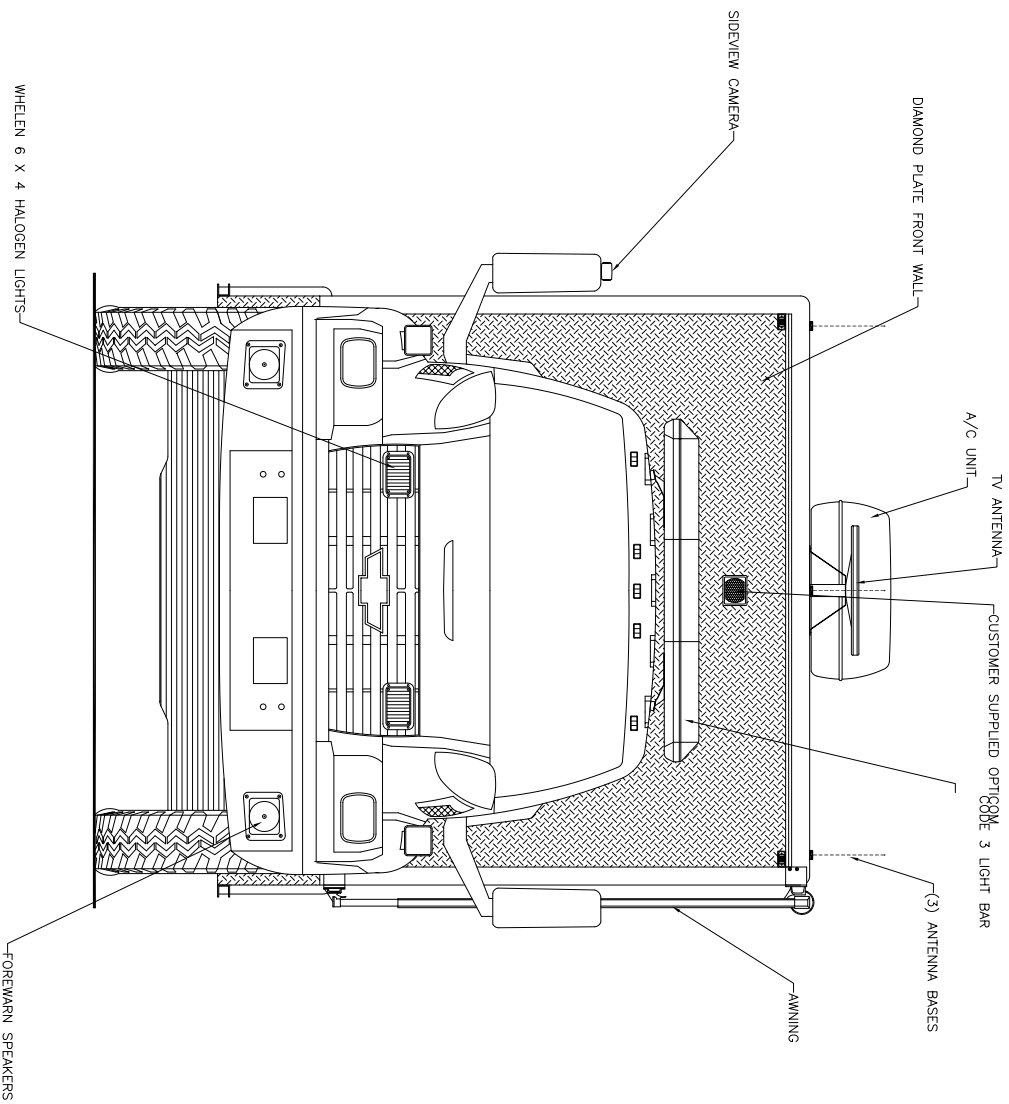
REVISION 1	NS - 04/27/07	DATE: 09/01/08
REVISION 2	NS - 05/22/07	
REVISION 3	-	
REVISION 4	-	
REVISION 5	-	



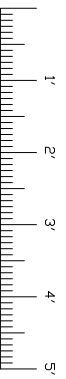
Curbside Overall

THESE DESIGN/ENGINEERING DRAWINGS ARE THE PROPERTY OF EMERGENCY VEHICLES, INC. THEY ARE PROPRIETARY AND ARE FOR THE EXCLUSIVE USE OF THE CLIENT. NO PART OF THESE DRAWINGS OR DATA TO A THIRD PARTY IS PROHIBITED.

REVISION 1	NS - 04/27/07	DATE: 09/01/08
REVISION 2	NS - 05/22/07	
REVISION 3		
REVISION 4		
REVISION 5		



Front View

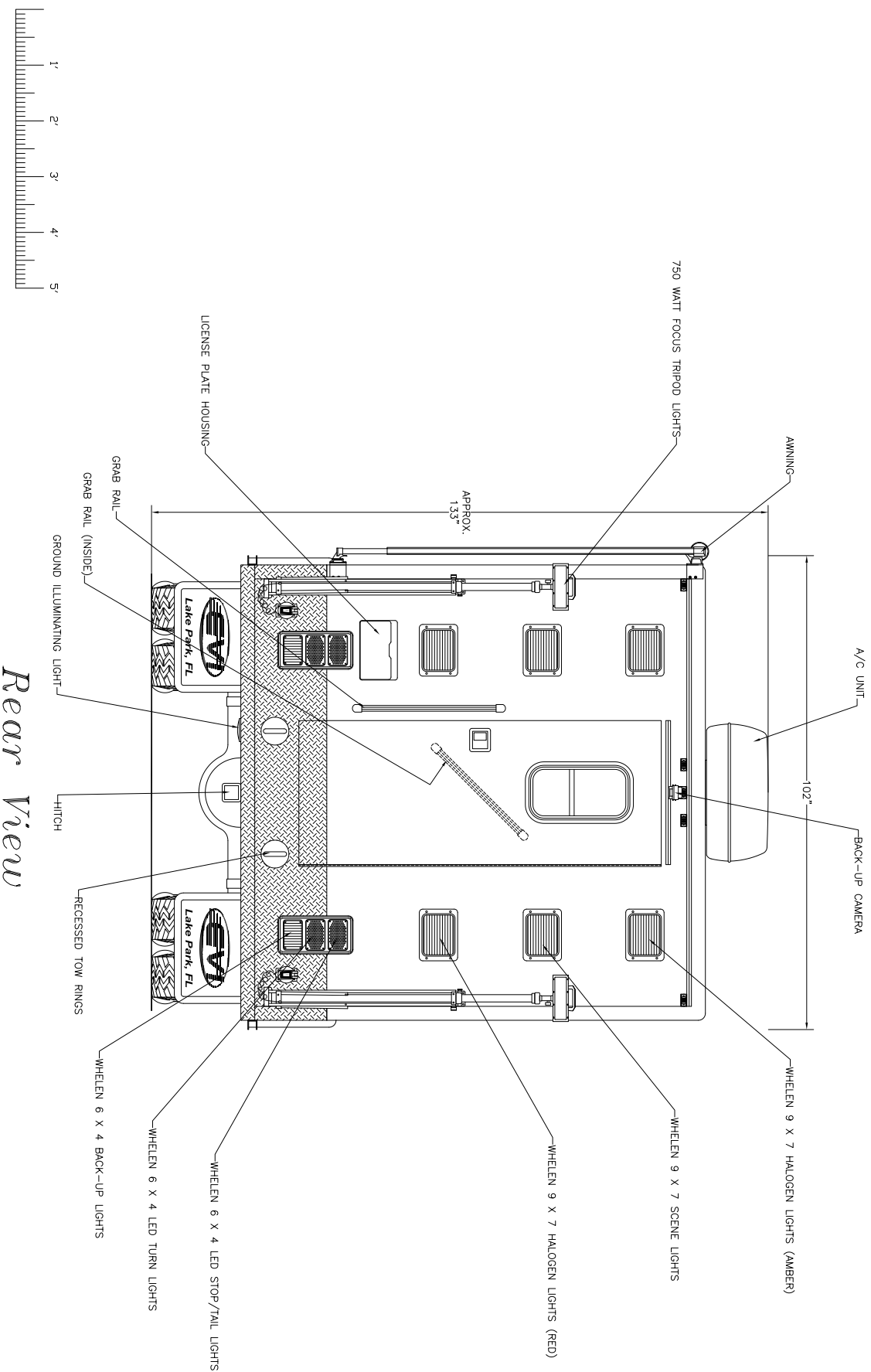


THESE DESIGN/ENGINEERING DRAWINGS ARE THE PROPERTY OF EMERGENCY VEHICLES, INC. THEY ARE PROPRIETARY AND ARE FOR THE EXCLUSIVE USE OF THE CLIENT. NO PART OF THESE DRAWINGS OR DATA TO A THIRD PARTY IS PROHIBITED.

REVISION	DATE	DESCRIPTION
REVISION 1	NS - 04/27/07	
REVISION 2	NS - 09/22/07	
REVISION 3	-	
REVISION 4	-	
REVISION 5	-	

DATE: 09/01/08

*DEMA
Smyrna, Delaware*

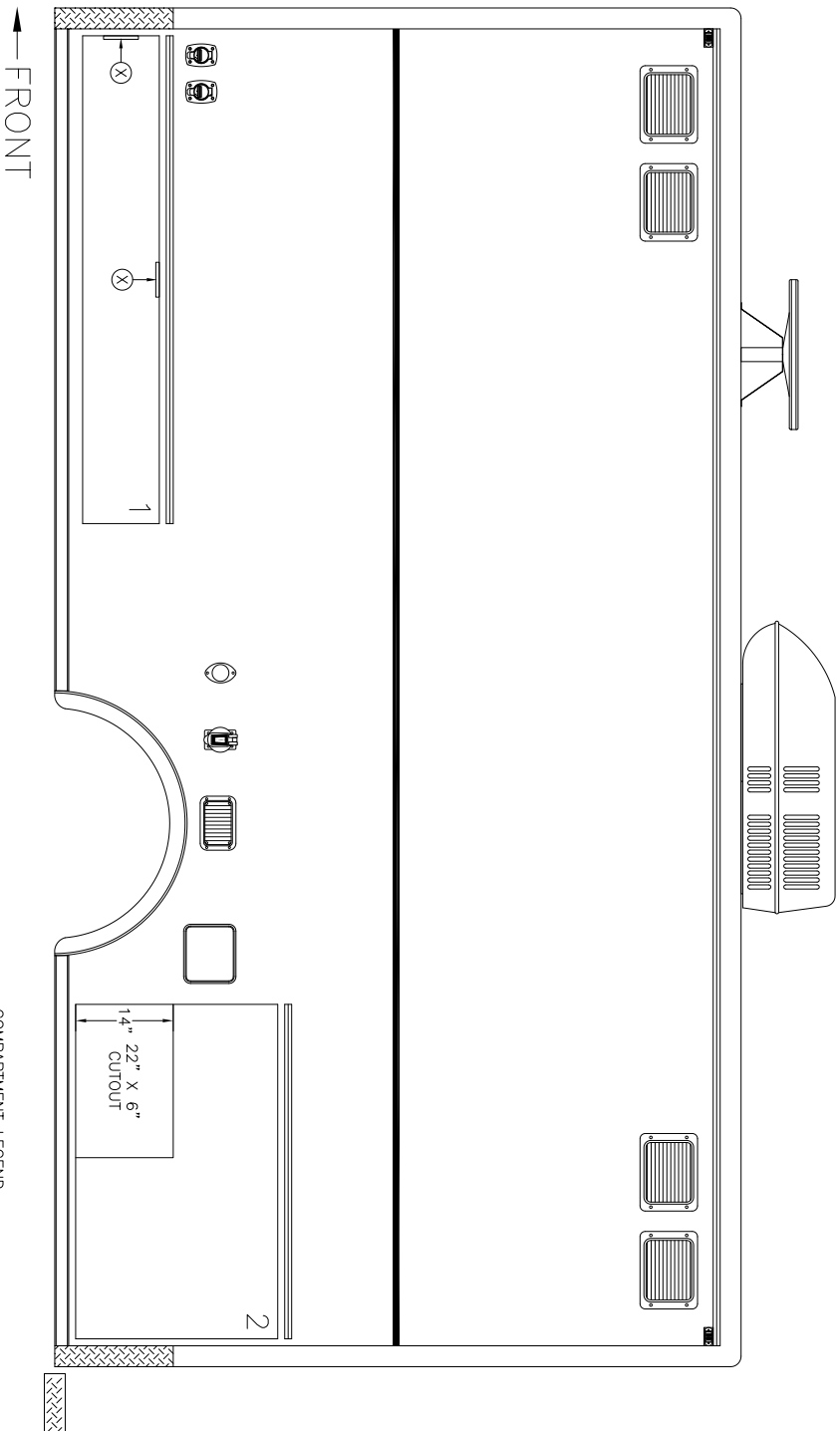


Rear View



THESE DESIGN/ENGINEERING DRAWINGS ARE THE PROPERTY OF EMERGENCY VEHICLES, INC. THEY ARE PROPRIETARY AND ARE FOR THE EXCLUSIVE USE OF THE CLIENT. NO PART OF THESE DRAWINGS OR DATA TO A THIRD PARTY IS PROHIBITED.

REVISION 1	DATE: 09/01/08
REVISION 2	NS - 04/27/07
REVISION 3	-
REVISION 4	-
REVISION 5	-

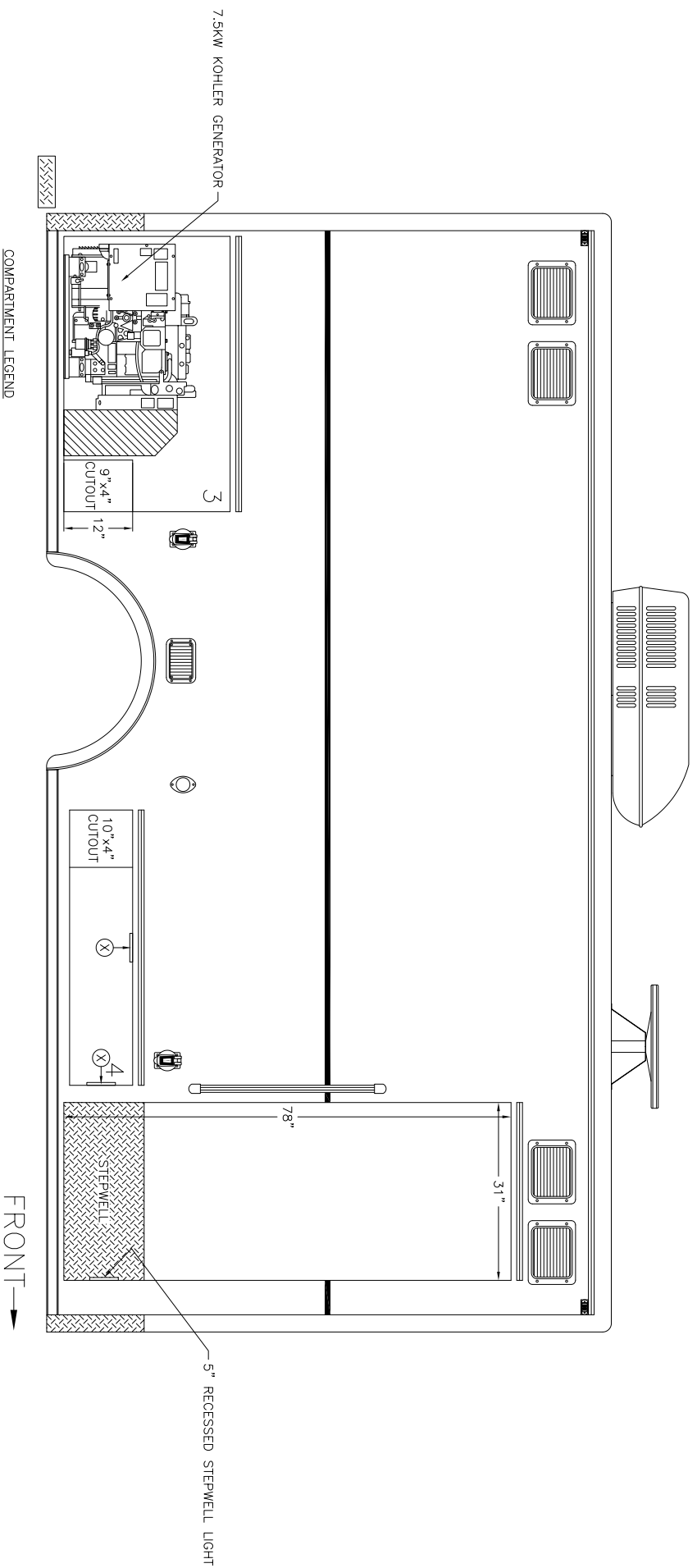


COMPARTMENT LEGEND
 COMPT. #1 - 70"W X 111"H X 26"D
 COMPT. #2 - 48"W X 29"H X 26"D
 (X) - 5" RECESSED COMPARTMENT LIGHT

THESE DESIGN/ENGINEERING DRAWINGS ARE THE PROPERTY OF EMERGENCY VEHICLES, INC. THESE DRAWINGS AND ALL RIGHTS THEREIN ARE RESERVED. NO PART OF THIS DRAWING IS TO BE REPRODUCED OR TRANSMITTED IN ANY FORM OR BY ANY MEANS, ELECTRONIC OR MECHANICAL, INCLUDING PHOTOCOPYING, RECORDING, OR BY ANY INFORMATION STORAGE AND RETRIEVAL SYSTEM, WITHOUT THE WRITTEN PERMISSION OF EMERGENCY VEHICLES, INC.

REVISION	DATE	DESCRIPTION
REVISION 1	04/27/07	NS - 04/27/07
REVISION 2	05/22/07	NS - 05/22/07
REVISION 3		
REVISION 4		
REVISION 5		

Streetside Body

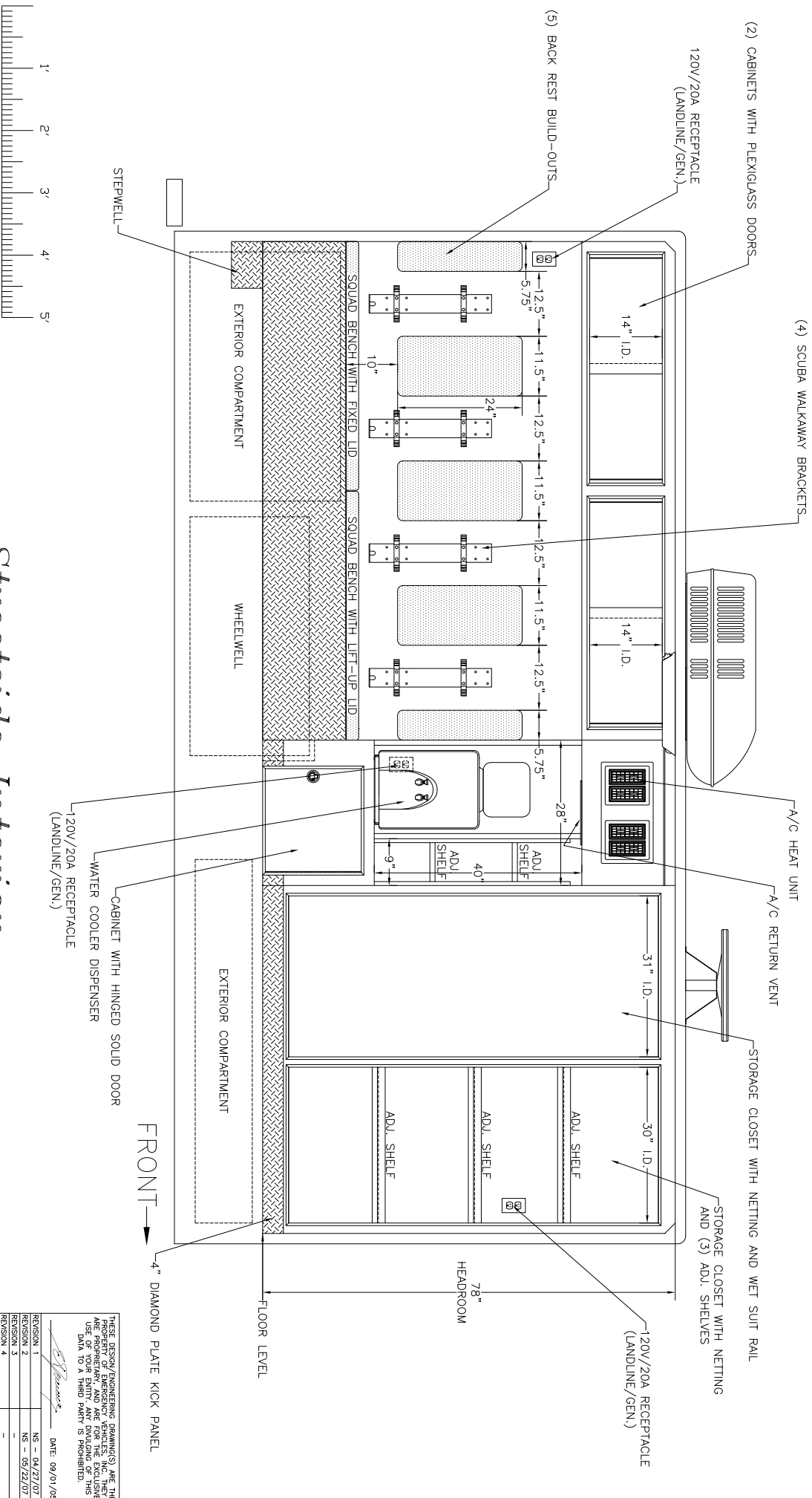


COMPARTMENT LEGEND
 COMP. #3 - 48"W X 29"H X 26"D
 COMP. #4 - 48"W X 11"H X 26"D
 (X) - 5" RECESSED COMPARTMENT LIGHT

THESE DESIGN/ENGINEERING DRAWINGS ARE THE PROPERTY OF EMERGENCY VEHICLES, INC. THEY ARE PROPRIETARY AND ARE FOR THE EXCLUSIVE USE OF THE CLIENT. NO PART OF THESE DRAWINGS OR DATA TO A THIRD PARTY IS PROHIBITED.

REVISION	DATE
REVISION 1	NS - 04/27/07
REVISION 2	NS - 05/22/07
REVISION 3	-
REVISION 4	-
REVISION 5	-

Curbside Body



Streetside Interior

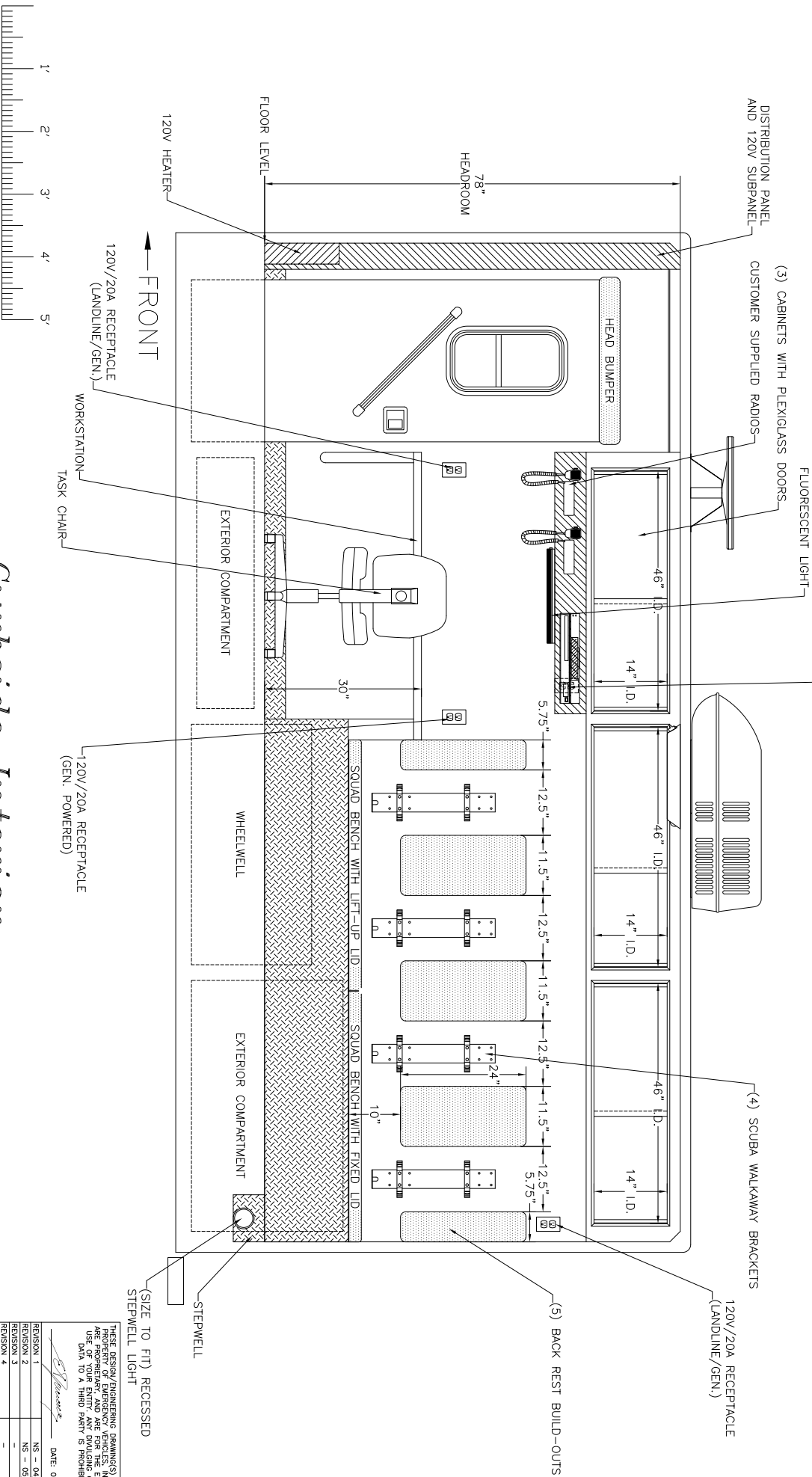
PRDDWG\DEMA\RM273813\NS\090105

THESE DESIGN/ENGINEERING DRAWINGS ARE THE PROPERTY OF EMERGENCY VEHICLES, INC. THEY ARE PROPRIETARY AND ARE FOR THE EXCLUSIVE USE OF THE CLIENT. NO PART OF THESE DRAWINGS OR DATA TO A THIRD PARTY IS PROHIBITED.

REVISION 1	DATE: 09/01/05
REVISION 2	NS - 04/27/07
REVISION 3	NS - 09/22/07
REVISION 4	-
REVISION 5	-

120V/20A RECEPTACLE FOR CUSTOMER SUPPLIED VCR
(GEN. POWERED)

DEMA
Smyrna, Delaware



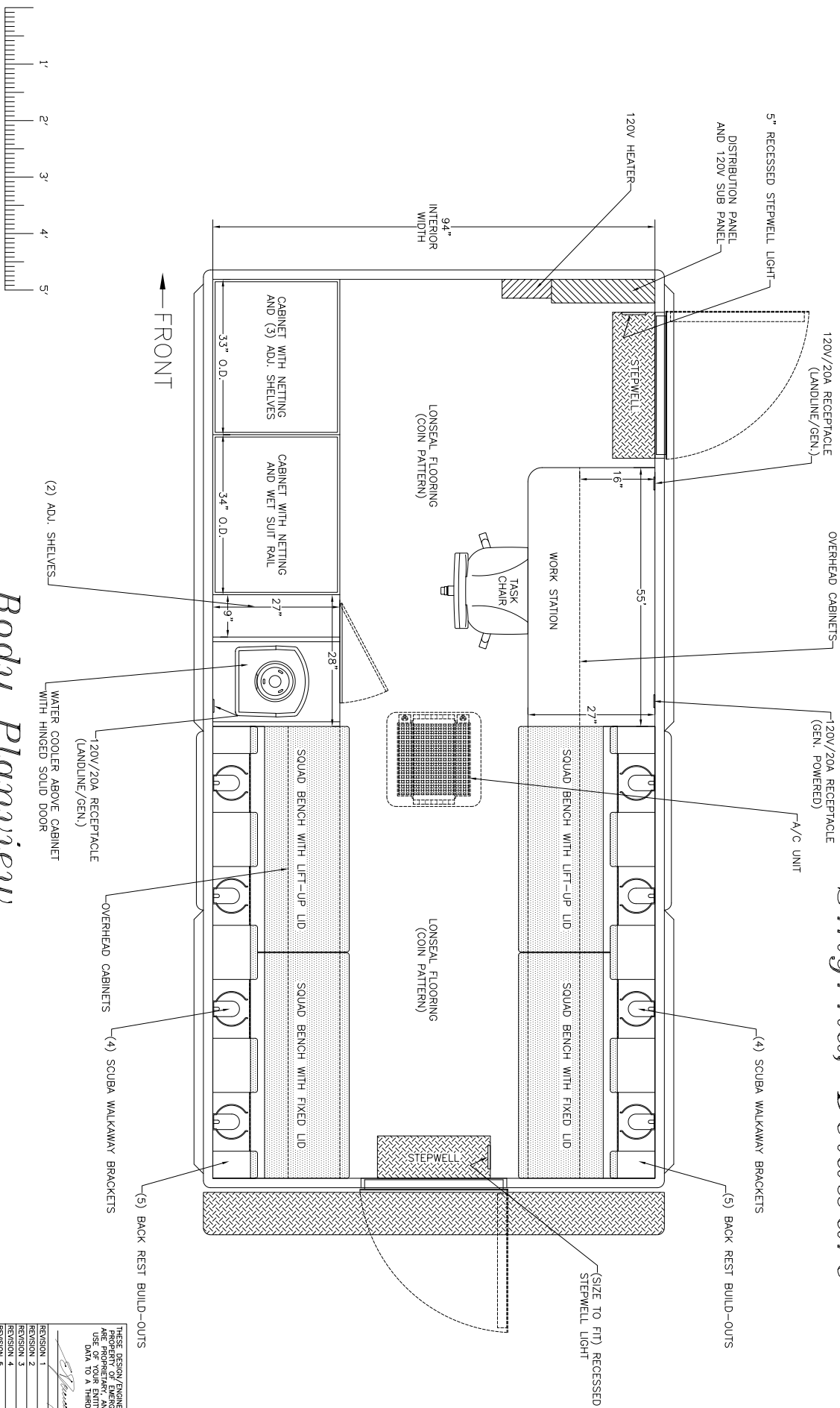
Curbside Interior

(SIZE TO FIT) RECESSED
STEPWELL LIGHT

THESE DESIGN/ENGINEERING DRAWINGS ARE THE
PROPERTY OF EMERGENCY VEHICLES, INC. THEY
ARE PROPRIETARY AND ARE FOR THE EXCLUSIVE
USE OF THE CLIENT. NO PARTS OF THESE
DRAWINGS OR DATA TO A THIRD PARTY IS PROHIBITED.

REVISION 1	DATE: 09/01/08
REVISION 2	NS - 04/27/07
REVISION 3	NS - 05/22/07
REVISION 4	-
REVISION 5	-

DEMA
Smyrna, Delaware



Body Planview

THESE DESIGN/ENGINEERING DRAWINGS ARE THE PROPERTY OF EMERGENCY VEHICLES, INC. THEY ARE PROPRIETARY AND ARE FOR THE EXCLUSIVE USE OF THE CLIENT. ANY REUSE OR DISTRIBUTION OF THIS DATA TO A THIRD PARTY IS PROHIBITED.

REVISION 1	DATE: 09/01/08
REVISION 2	NS - 04/27/07
REVISION 3	NS - 09/22/07
REVISION 4	-
REVISION 5	-

PRODDWG\DEMA\RM273817\NS\090105