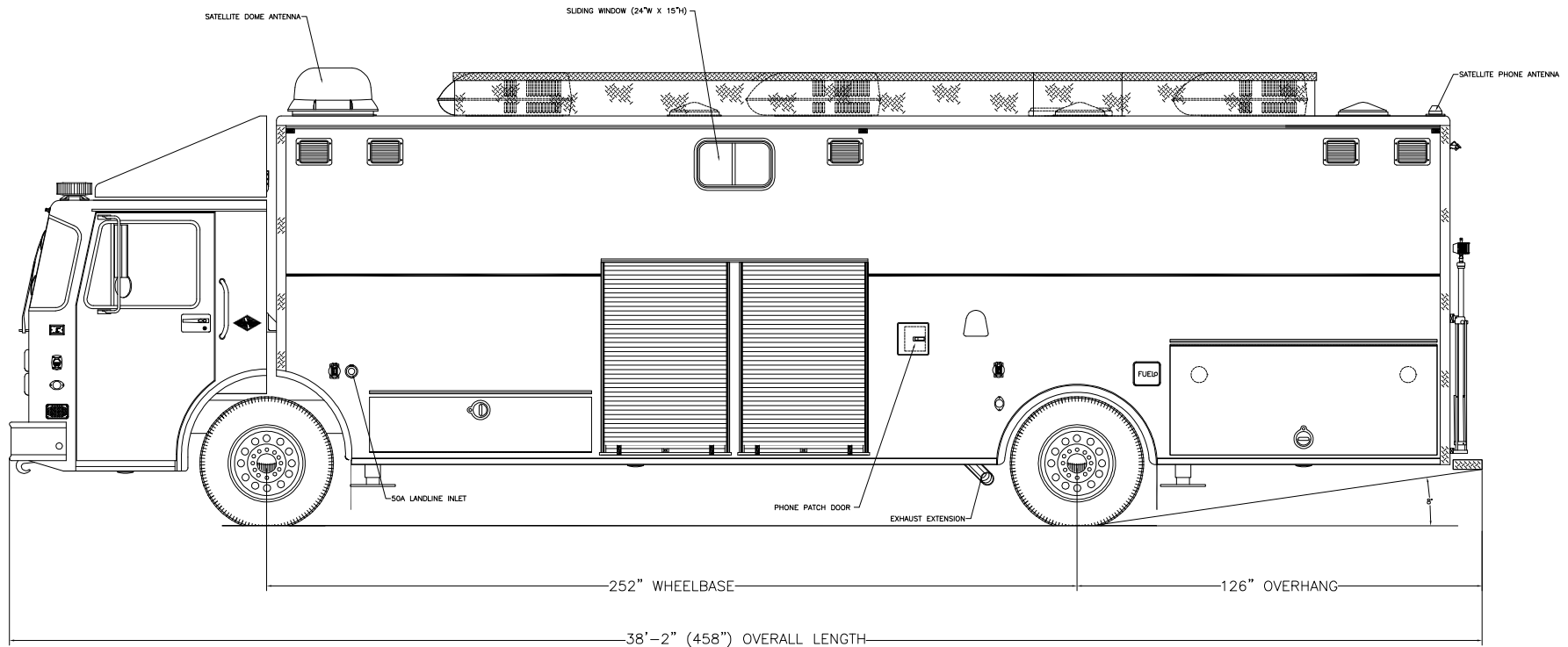


**EMERGENCY VEHICLES, INC.**

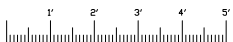
Monroe County Sheriff's Office  
Monroe County, New York



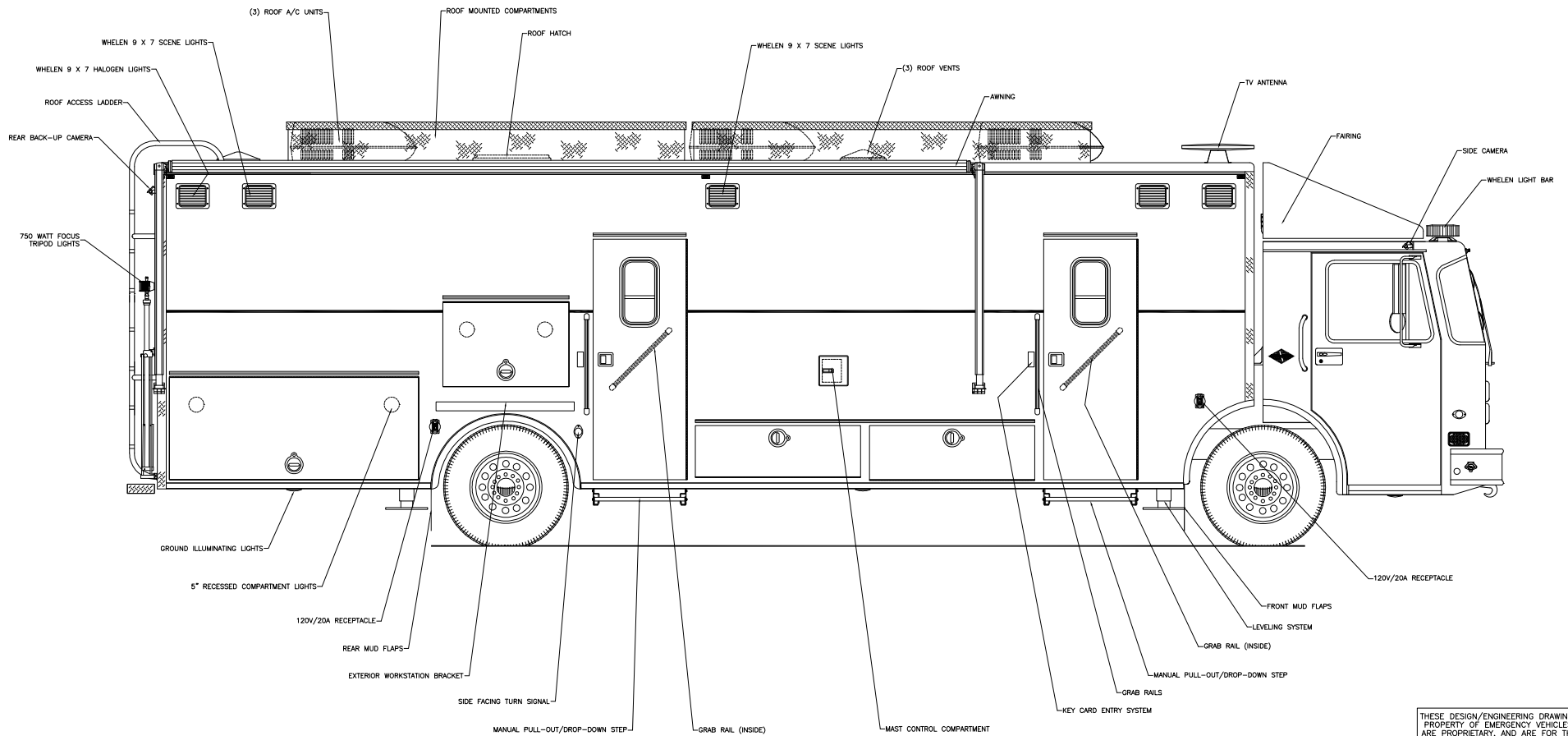
THESE DESIGN/ENGINEERING DRAWING(S) ARE THE PROPERTY OF EMERGENCY VEHICLES, INC. THEY ARE PROPRIETARY, AND ARE FOR THE EXCLUSIVE USE OF YOUR ENTITY. ANY DIVULGING OF THIS DATA TO A THIRD PARTY IS PROHIBITED.

*[Signature]* DATE: 04/11/05

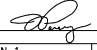
REVISION 1	NS - 08/26/05
REVISION 2	NS - 02/09/06
REVISION 3	-
REVISION 4	-
REVISION 5	-

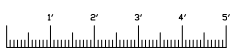


*Streetside Overall*

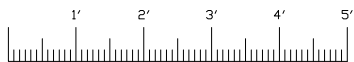
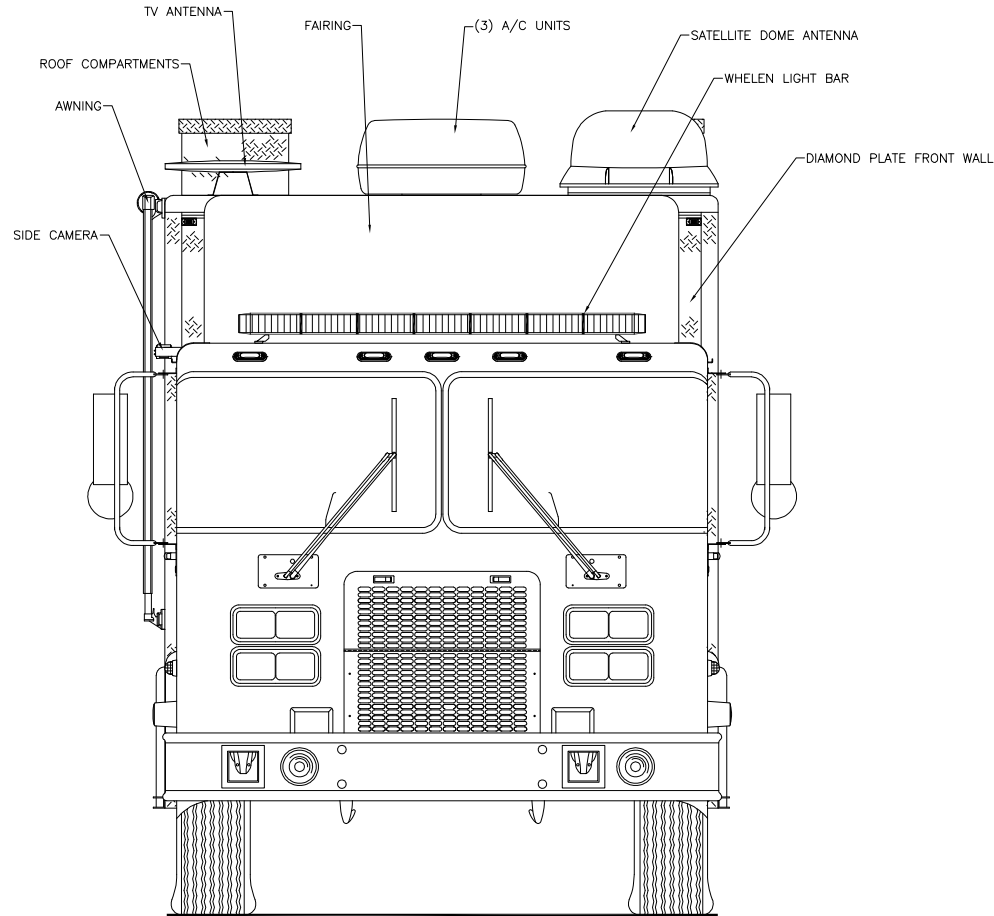


THESE DESIGN/ENGINEERING DRAWING(S) ARE THE PROPERTY OF EMERGENCY VEHICLES, INC. THEY ARE PROPRIETARY, AND ARE FOR THE EXCLUSIVE USE OF YOUR ENTITY. ANY DIVULGING OF THIS DATA TO A THIRD PARTY IS PROHIBITED.

		DATE: 04/11/05
REVISION 1	NS - 08/26/05	
REVISION 2	NS - 02/09/06	
REVISION 3	-	
REVISION 4	-	
REVISION 5	-	

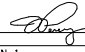


### Curbside Overall

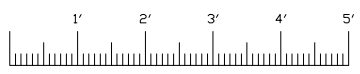
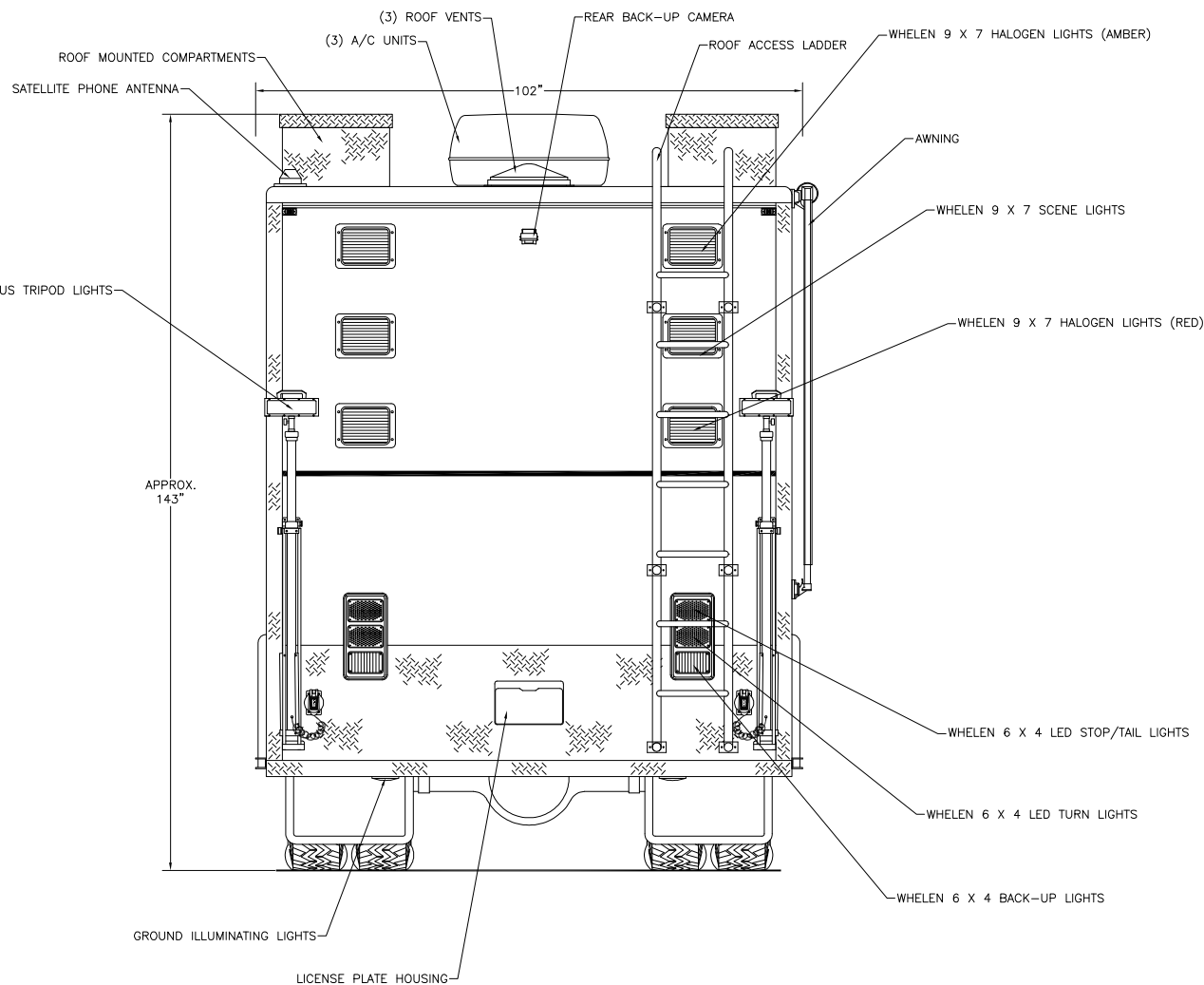


Front View

THESE DESIGN/ENGINEERING DRAWING(S) ARE THE PROPERTY OF EMERGENCY VEHICLES, INC. THEY ARE PROPRIETARY, AND ARE FOR THE EXCLUSIVE USE OF YOUR ENTITY. ANY DIVULGING OF THIS DATA TO A THIRD PARTY IS PROHIBITED.

 DATE: 04/11/05	
REVISION 1	NS - 08/26/05
REVISION 2	NS - 02/09/06
REVISION 3	-
REVISION 4	-
REVISION 5	-

MAX HEIGHT  
11' - 11"



*Rear View*

THESE DESIGN/ENGINEERING DRAWING(S) ARE THE PROPERTY OF EMERGENCY VEHICLES, INC. THEY ARE PROPRIETARY, AND ARE FOR THE EXCLUSIVE USE OF YOUR ENTITY. ANY DIVULGING OF THIS DATA TO A THIRD PARTY IS PROHIBITED.

*[Signature]* DATE: 04/11/05

REVISION 1	NS - 08/26/05
REVISION 2	NS - 02/09/06
REVISION 3	-
REVISION 4	-
REVISION 5	-