

Curbside Overall

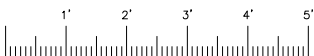
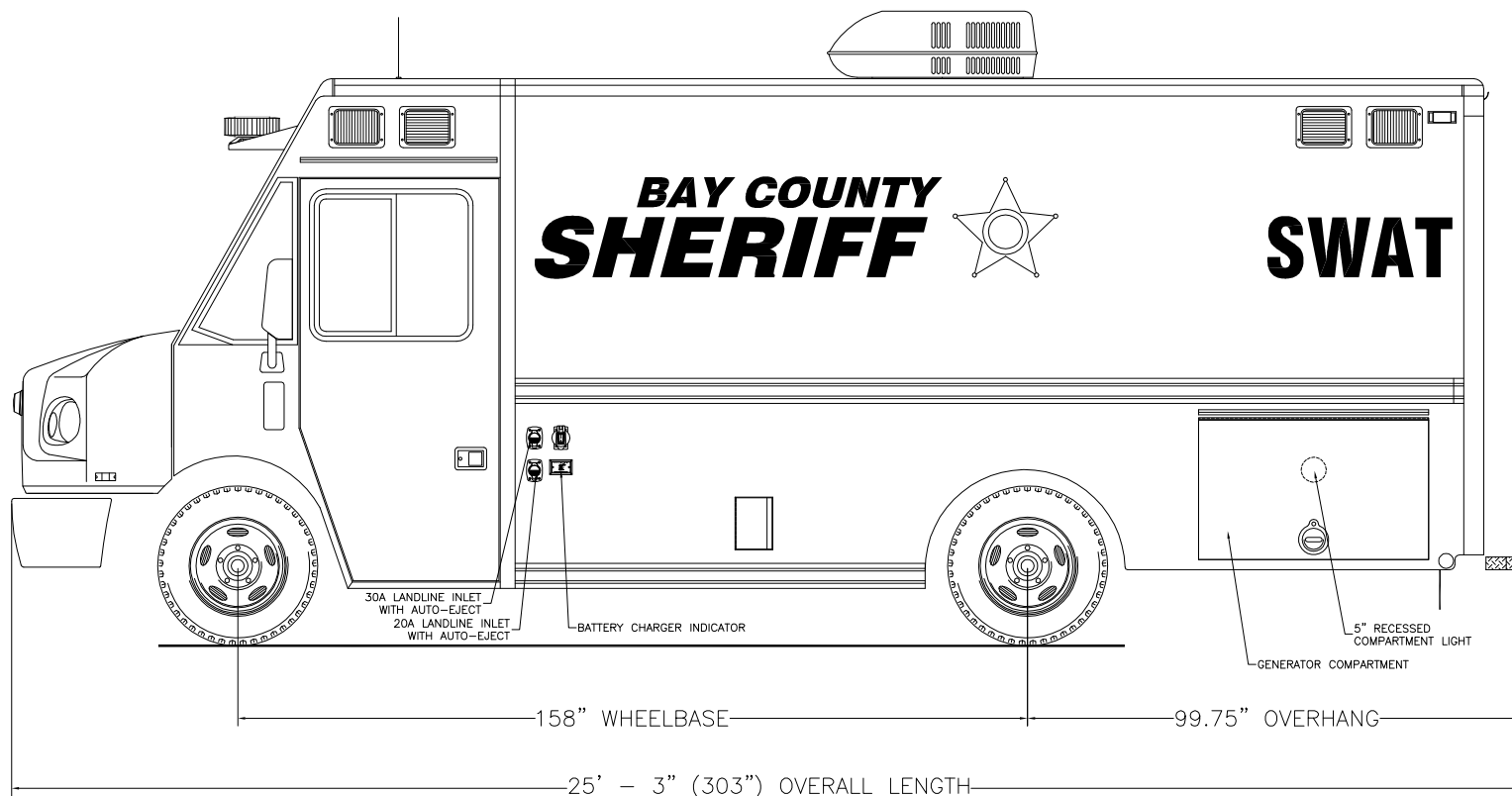
THESE DESIGN/ENGINEERING DRAWING(S) ARE THE PROPERTY OF EMERGENCY VEHICLES, INC. THEY ARE PROPRIETARY, AND ARE FOR THE EXCLUSIVE USE OF YOUR ENTITY. ANY DIVULGING OF THIS DATA TO A THIRD PARTY IS PROHIBITED.

[Signature] DATE: 05/10/05

REVISION 1	NS - 11/22/05
REVISION 2	-
REVISION 3	-
REVISION 4	-
REVISION 5	-

EMERGENCY VEHICLES, INC.

*Bay County Sheriff's Office
Panama City, Florida*

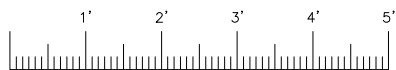
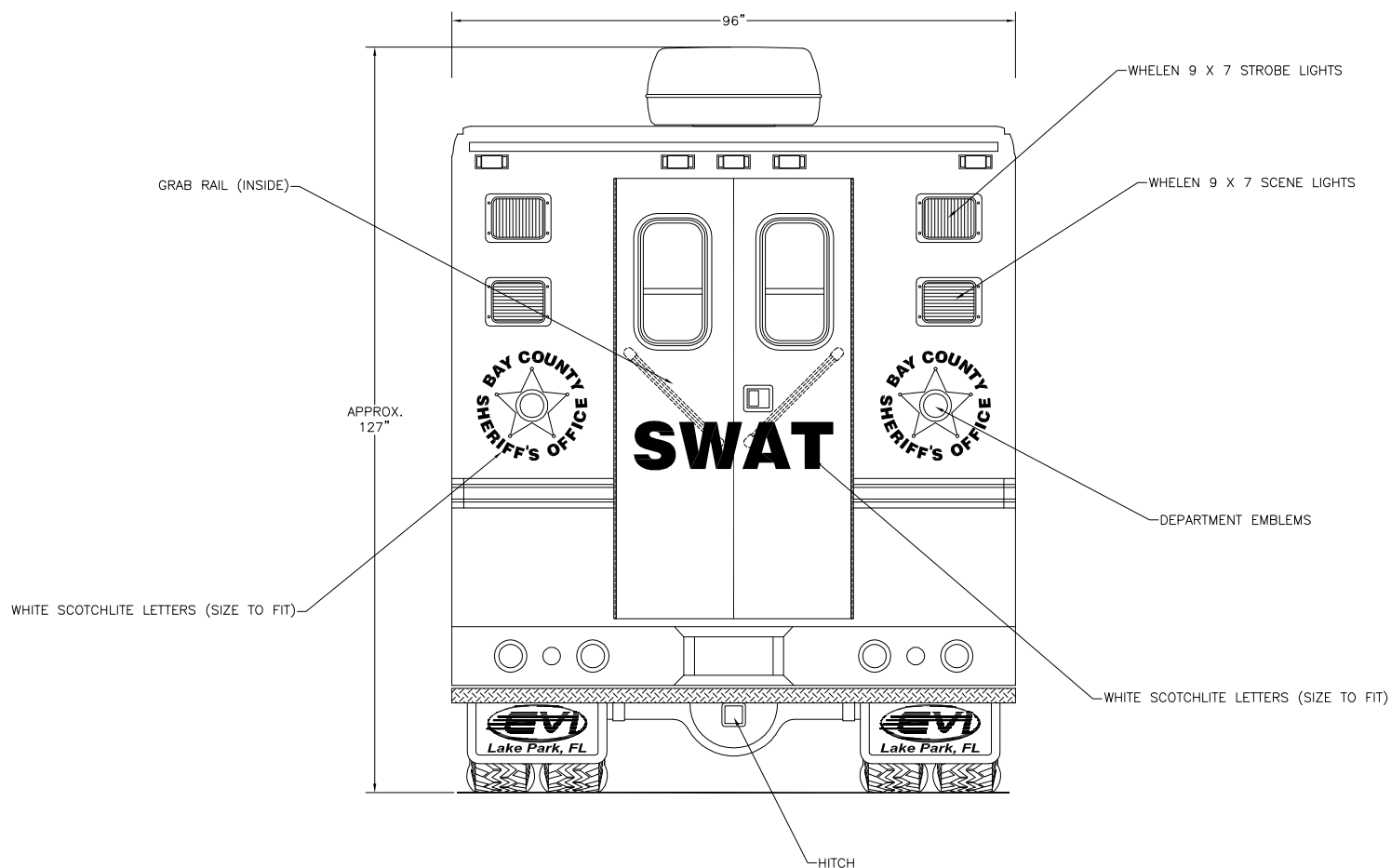


Streetside Overall

THESE DESIGN/ENGINEERING DRAWING(S) ARE THE PROPERTY OF EMERGENCY VEHICLES, INC. THEY ARE PROPRIETARY, AND ARE FOR THE EXCLUSIVE USE OF YOUR ENTITY. ANY DIVULGING OF THIS DATA TO A THIRD PARTY IS PROHIBITED.

[Signature] DATE: 05/10/05

REVISION 1	NS - 11/22/05
REVISION 2	-
REVISION 3	-
REVISION 4	-
REVISION 5	-



Rear View

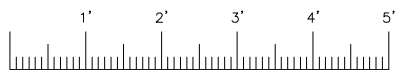
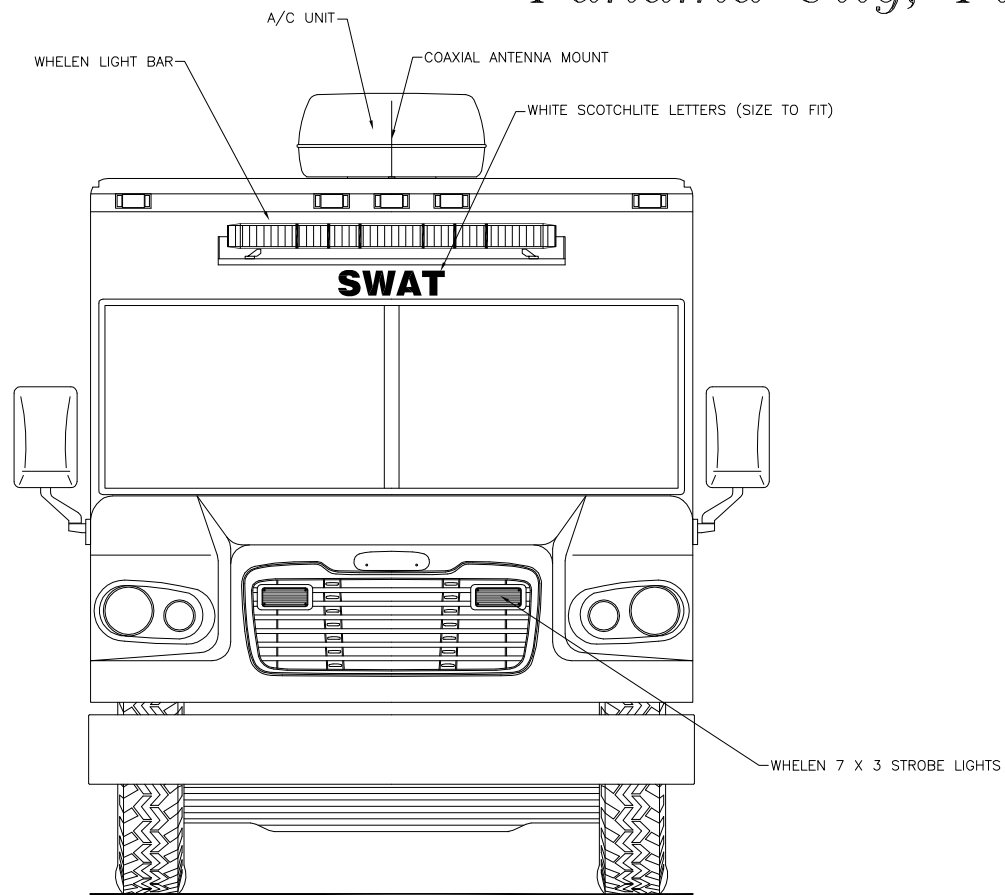
THESE DESIGN/ENGINEERING DRAWING(S) ARE THE PROPERTY OF EMERGENCY VEHICLES, INC. THEY ARE PROPRIETARY, AND ARE FOR THE EXCLUSIVE USE OF YOUR ENTITY. ANY DIVULGING OF THIS DATA TO A THIRD PARTY IS PROHIBITED.

[Signature] DATE: 05/10/05

REVISION 1	NS - 11/22/05
REVISION 2	-
REVISION 3	-
REVISION 4	-
REVISION 5	-

EMERGENCY VEHICLES, INC.

*Bay County Sheriff's Office
Panama City, Florida*



Front View

THESE DESIGN/ENGINEERING DRAWING(S) ARE THE PROPERTY OF EMERGENCY VEHICLES, INC. THEY ARE PROPRIETARY, AND ARE FOR THE EXCLUSIVE USE OF YOUR ENTITY. ANY DIVULGING OF THIS DATA TO A THIRD PARTY IS PROHIBITED.

[Signature] DATE: 05/10/05

REVISION 1	NS - 11/22/05
REVISION 2	-
REVISION 3	-
REVISION 4	-
REVISION 5	-