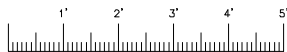
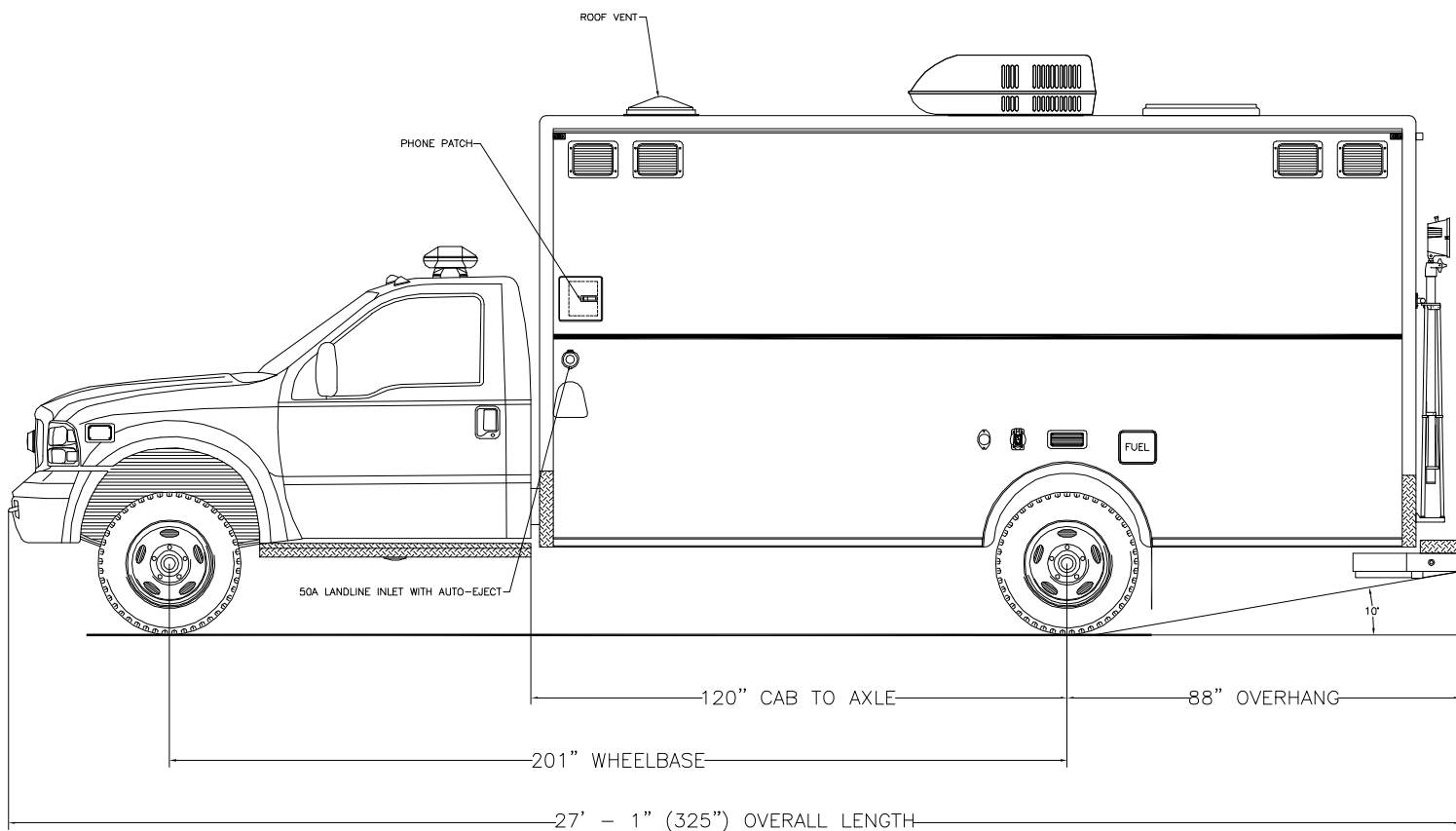


**EMERGENCY VEHICLES, INC.**

*Monroe County Sheriff's Department  
Monroe County, New York*

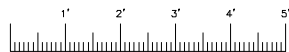
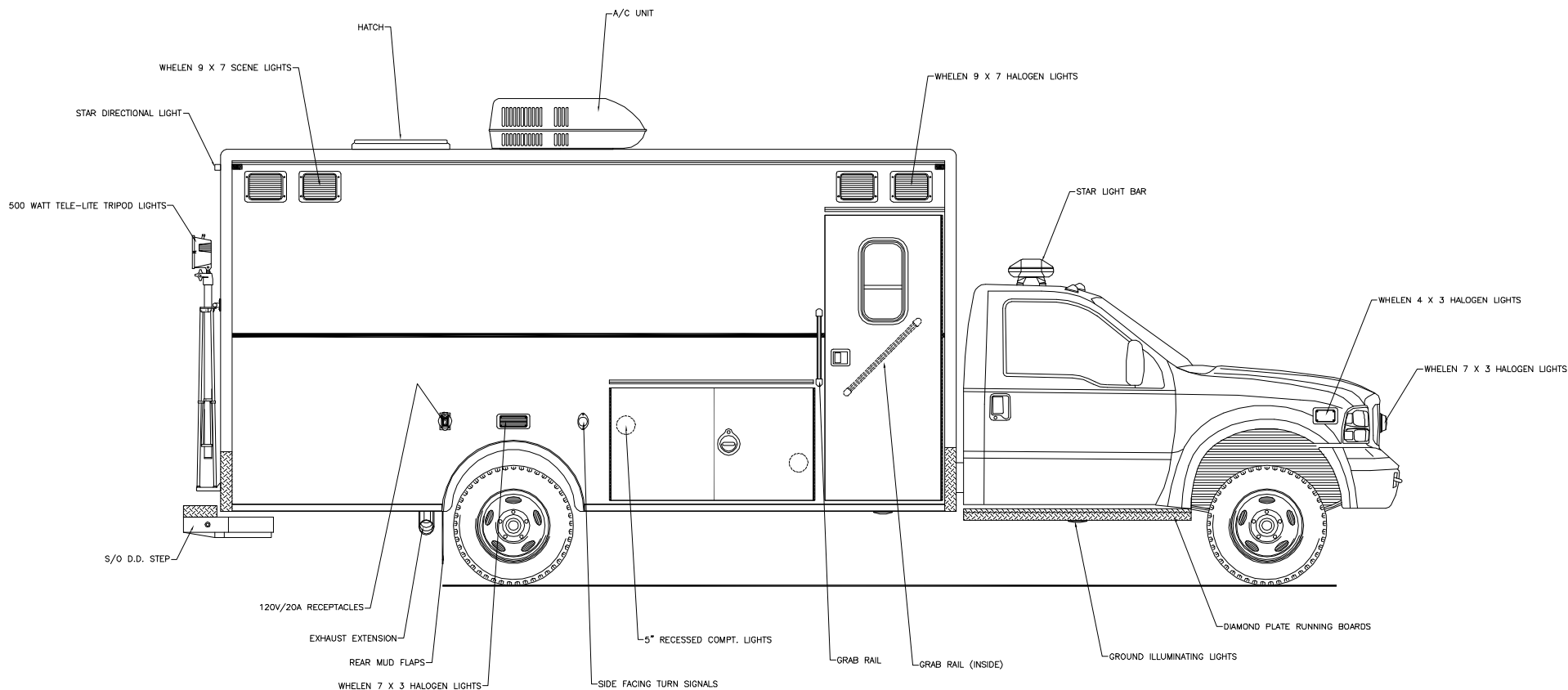


*Streetside Overall*

THESE DESIGN/ENGINEERING DRAWING(S) ARE THE PROPERTY OF EMERGENCY VEHICLES, INC. THEY ARE PROPRIETARY, AND ARE FOR THE EXCLUSIVE USE OF YOUR ENTITY. ANY DIVULGING OF THIS DATA TO A THIRD PARTY IS PROHIBITED.

*[Signature]* DATE: 01/10/08

REVISION 1	NS - 03/21/08
REVISION 2	-
REVISION 3	-
REVISION 4	-
REVISION 5	-

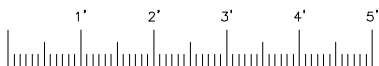
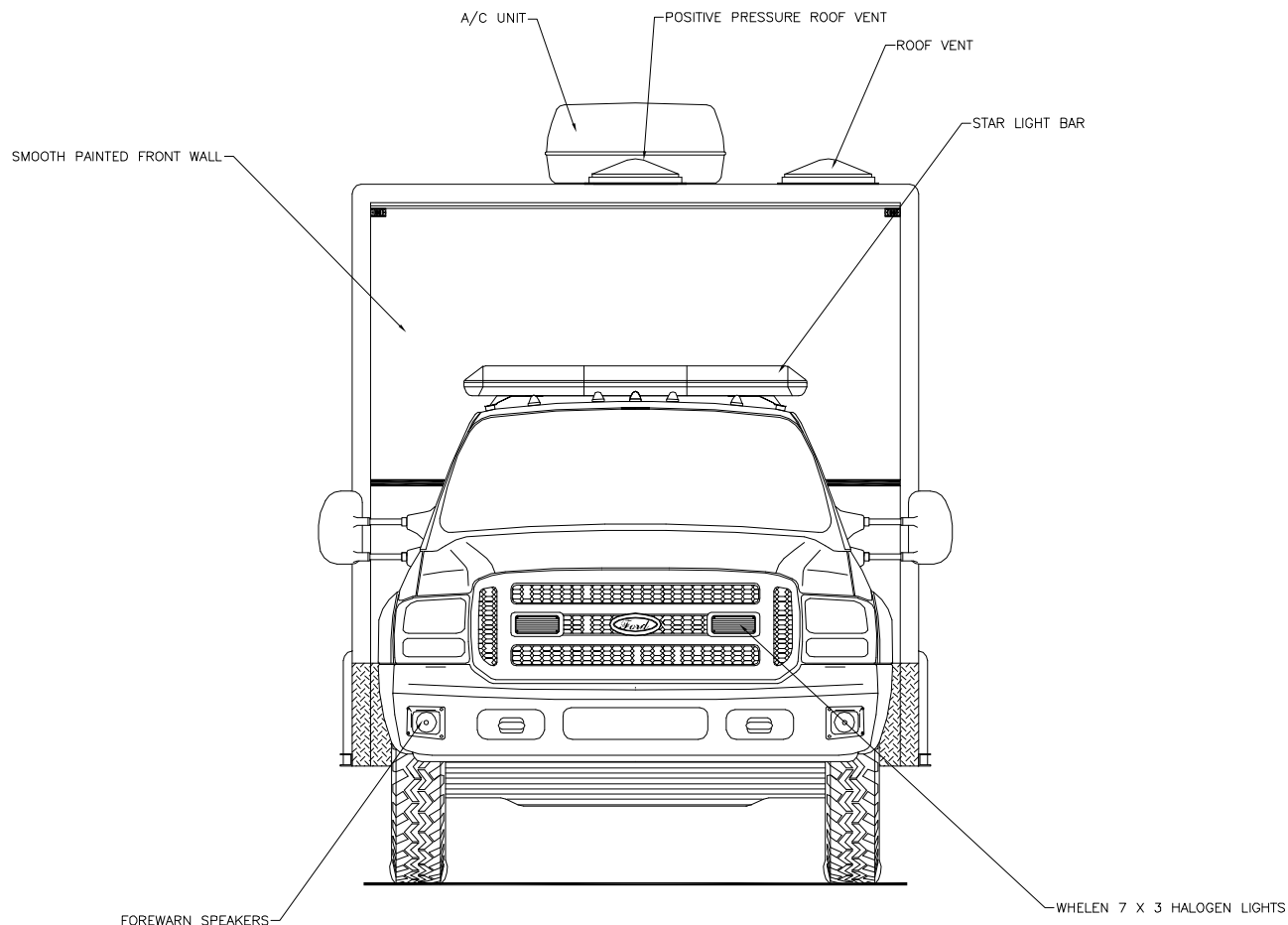


*Curbside Overall*

THESE DESIGN/ENGINEERING DRAWING(S) ARE THE PROPERTY OF EMERGENCY VEHICLES, INC. THEY ARE PROPRIETARY, AND ARE FOR THE EXCLUSIVE USE OF YOUR ENTITY. ANY DIVULGING OF THIS DATA TO A THIRD PARTY IS PROHIBITED.

DATE: 01/10/08

REVISION 1	NS - 03/21/08
REVISION 2	-
REVISION 3	-
REVISION 4	-
REVISION 5	-

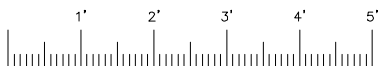
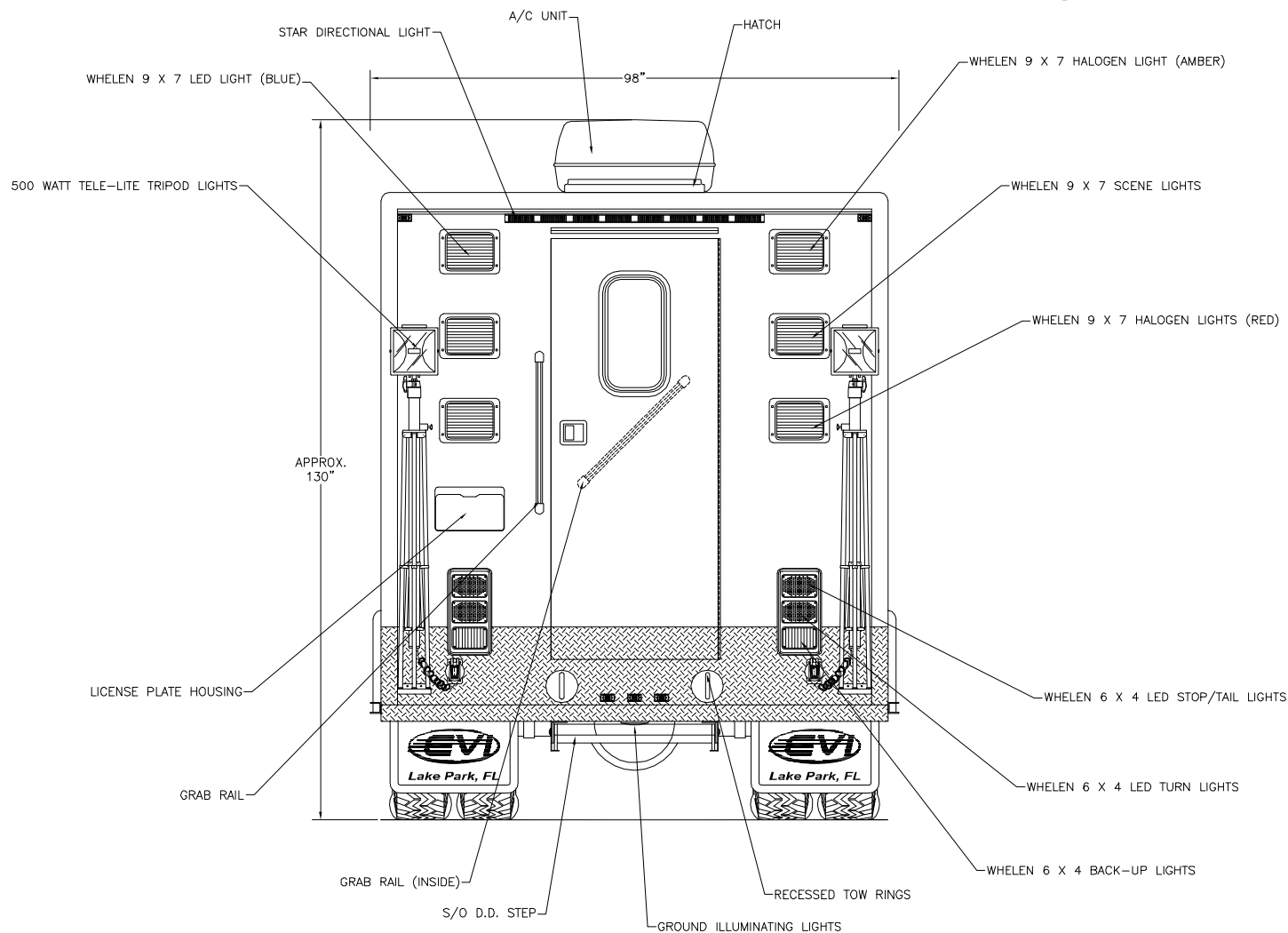


*Front View*

THESE DESIGN/ENGINEERING DRAWING(S) ARE THE PROPERTY OF EMERGENCY VEHICLES, INC. THEY ARE PROPRIETARY, AND ARE FOR THE EXCLUSIVE USE OF YOUR ENTITY. ANY DIVULGING OF THIS DATA TO A THIRD PARTY IS PROHIBITED.

\_\_\_\_\_  
DATE: 01/10/08

REVISION 1	NS - 03/21/08
REVISION 2	-
REVISION 3	-
REVISION 4	-
REVISION 5	-



*Rear View*

THESE DESIGN/ENGINEERING DRAWING(S) ARE THE PROPERTY OF EMERGENCY VEHICLES, INC. THEY ARE PROPRIETARY, AND ARE FOR THE EXCLUSIVE USE OF YOUR ENTITY. ANY DIVULGING OF THIS DATA TO A THIRD PARTY IS PROHIBITED.

*[Signature]* DATE: 01/10/08

REVISION 1	NS - 03/21/08
REVISION 2	-
REVISION 3	-
REVISION 4	-
REVISION 5	-