

*Curbside Overall*

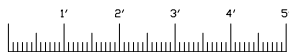
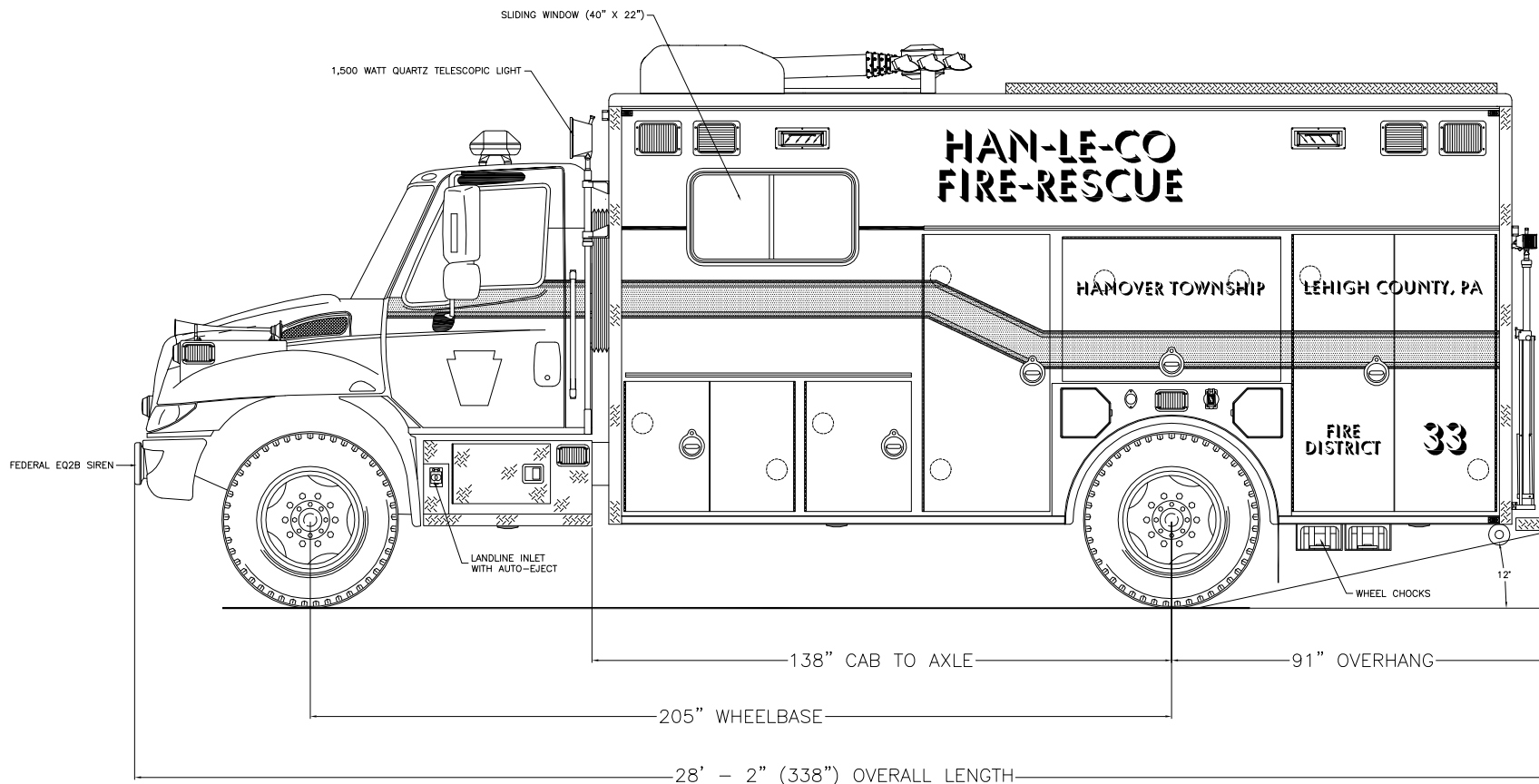
THESE DESIGN/ENGINEERING DRAWING(S) ARE THE PROPERTY OF EMERGENCY VEHICLES, INC. THEY ARE PROPRIETARY, AND ARE FOR THE EXCLUSIVE USE OF YOUR ENTITY. ANY DIVULGING OF THIS DATA TO A THIRD PARTY IS PROHIBITED.

*[Signature]* DATE: 08/09/05

REVISION 1	NS - 12/02/05
REVISION 2	NS - 05/01/06
REVISION 3	NS - 06/14/06
REVISION 4	-
REVISION 5	-

**EMERGENCY VEHICLES, INC.**

*Han-Le-Co Volunteer Fire & Rescue Co.  
Allentown, Pennsylvania*

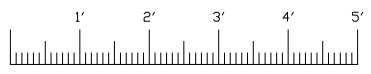
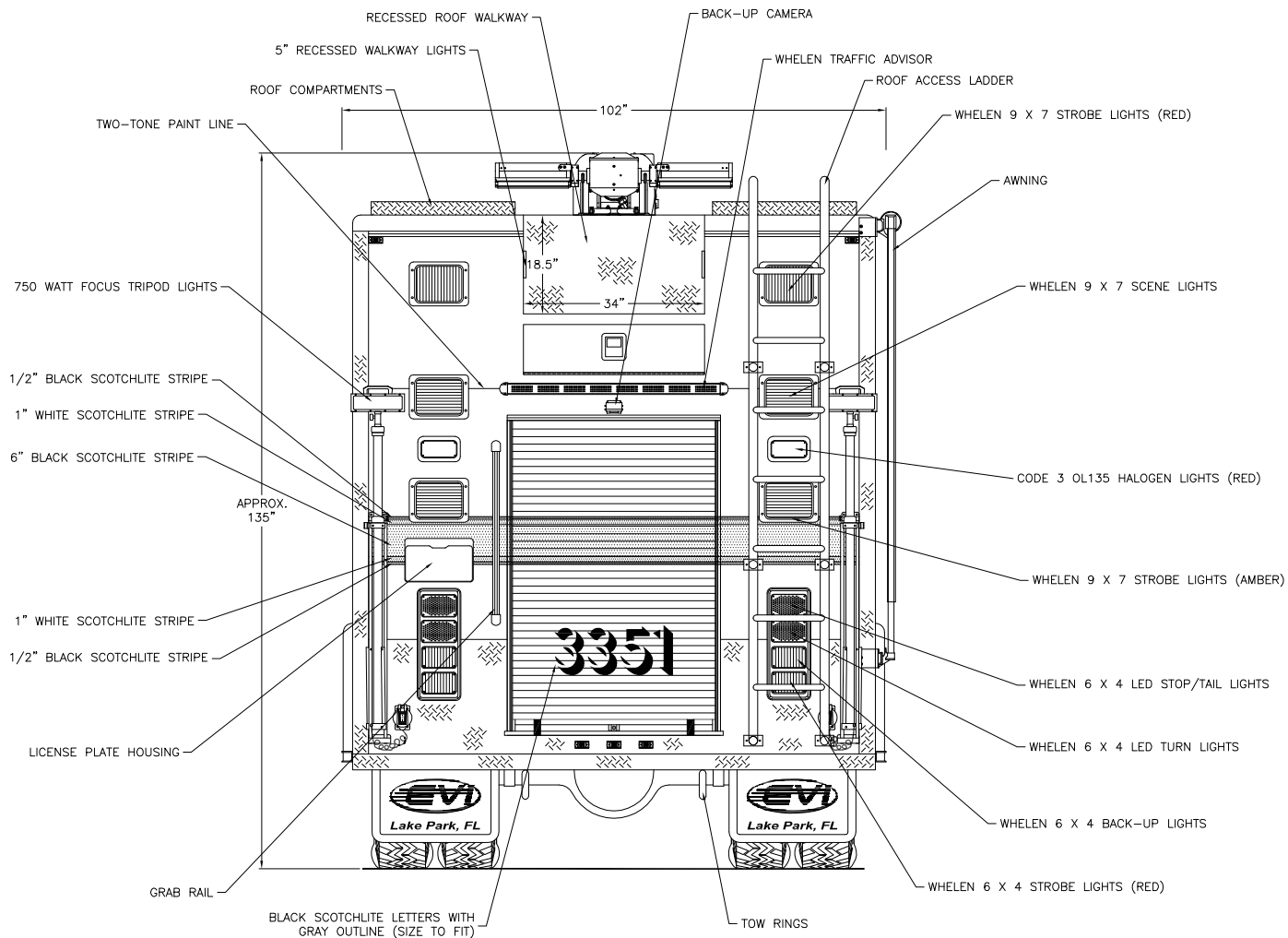


*Streetside Overall*

THESE DESIGN/ENGINEERING DRAWING(S) ARE THE PROPERTY OF EMERGENCY VEHICLES, INC. THEY ARE PROPRIETARY, AND ARE FOR THE EXCLUSIVE USE OF YOUR ENTITY. ANY DIVULGING OF THIS DATA TO A THIRD PARTY IS PROHIBITED.

*[Signature]* DATE: 08/09/05

REVISION 1	NS - 12/02/05
REVISION 2	NS - 05/01/06
REVISION 3	NS - 06/14/06
REVISION 4	-
REVISION 5	-

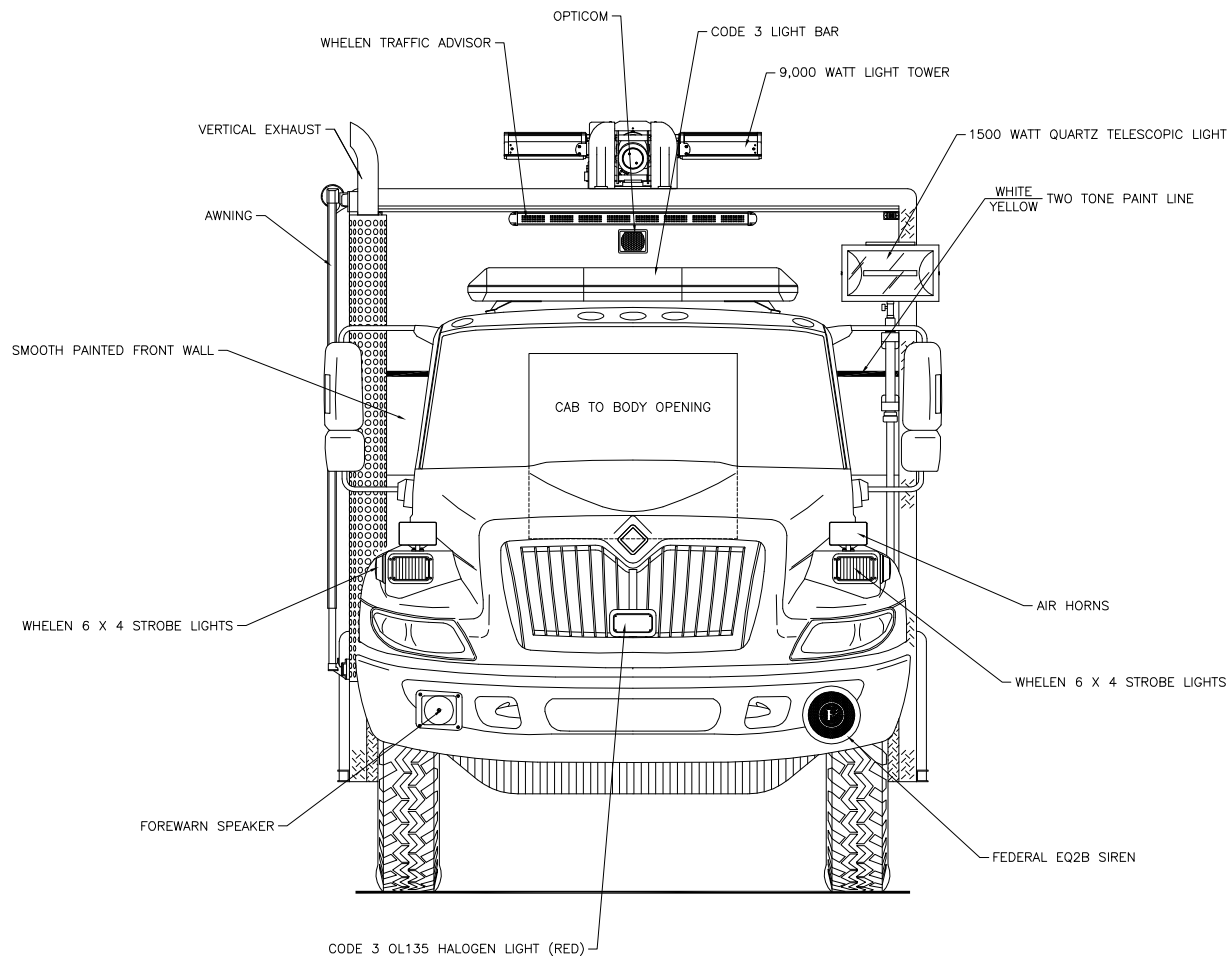


*Rear View*

THESE DESIGN/ENGINEERING DRAWING(S) ARE THE PROPERTY OF EMERGENCY VEHICLES, INC. THEY ARE PROPRIETARY, AND ARE FOR THE EXCLUSIVE USE OF YOUR ENTITY. ANY DIVULGING OF THIS DATA TO A THIRD PARTY IS PROHIBITED.

*[Signature]* DATE: 08/09/05

REVISION 1	NS - 12/02/05
REVISION 2	NS - 05/01/06
REVISION 3	NS - 06/14/06
REVISION 4	-
REVISION 5	-



*Front View*

THESE DESIGN/ENGINEERING DRAWING(S) ARE THE PROPERTY OF EMERGENCY VEHICLES, INC. THEY ARE PROPRIETARY, AND ARE FOR THE EXCLUSIVE USE OF YOUR ENTITY. ANY DIVULGING OF THIS DATA TO A THIRD PARTY IS PROHIBITED.

*[Signature]* DATE: 08/09/05

REVISION 1	NS - 12/02/05
REVISION 2	NS - 05/01/06
REVISION 3	NS - 06/14/06
REVISION 4	-
REVISION 5	-