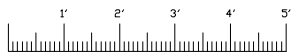


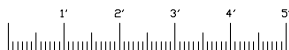
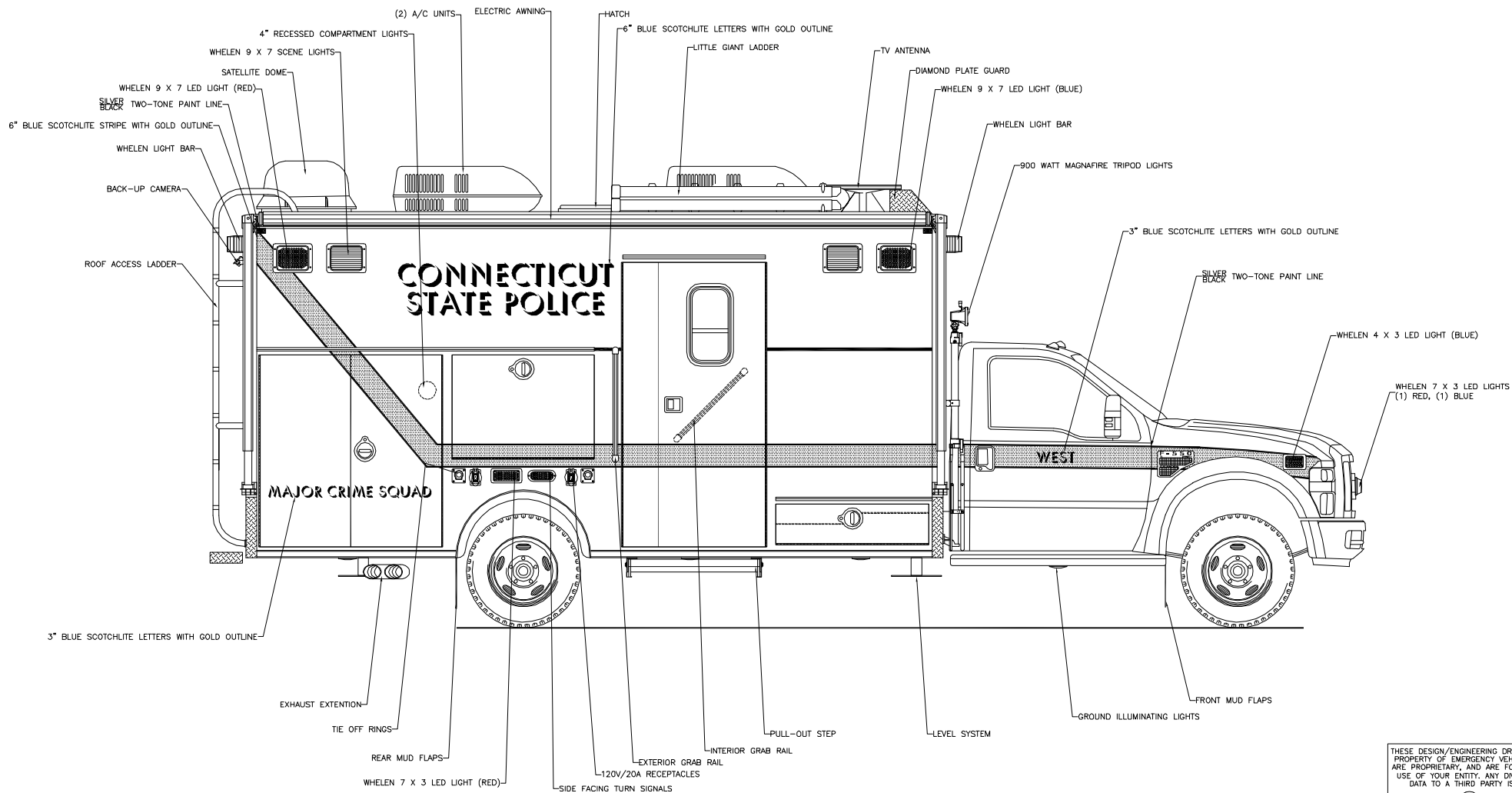
THESE DESIGN/ENGINEERING DRAWING(S) ARE THE PROPERTY OF EMERGENCY VEHICLES, INC. THEY ARE PROPRIETARY, AND ARE FOR THE EXCLUSIVE USE OF YOUR ENTITY. ANY DIVULGING OF THIS DATA TO A THIRD PARTY IS PROHIBITED.

[Signature] DATE: 05/21/08

REVISION 1	NS - 06/02/08
REVISION 2	NS - 06/26/08
REVISION 3	-
REVISION 4	-
REVISION 5	-



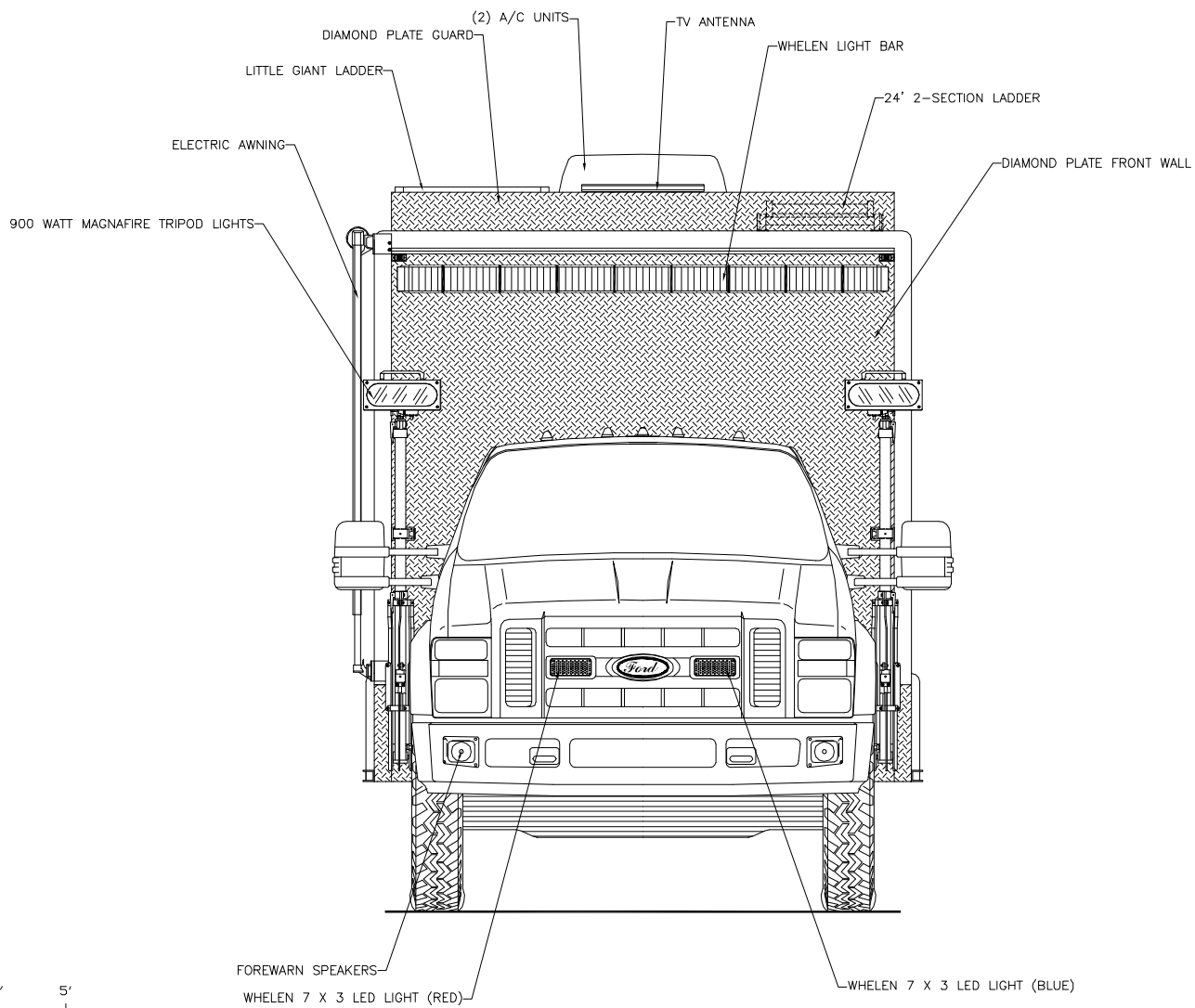
Streetside Overall



Curbside Overall

THESE DESIGN/ENGINEERING DRAWING(S) ARE THE PROPERTY OF EMERGENCY VEHICLES, INC. THEY ARE PROPRIETARY, AND ARE FOR THE EXCLUSIVE USE OF YOUR ENTITY. ANY DIVULGING OF THIS DATA TO A THIRD PARTY IS PROHIBITED.

		DATE: 05/21/08
REVISION 1	NS	- 06/02/08
REVISION 2	NS	- 06/26/08
REVISION 3	-	-
REVISION 4	-	-
REVISION 5	-	-

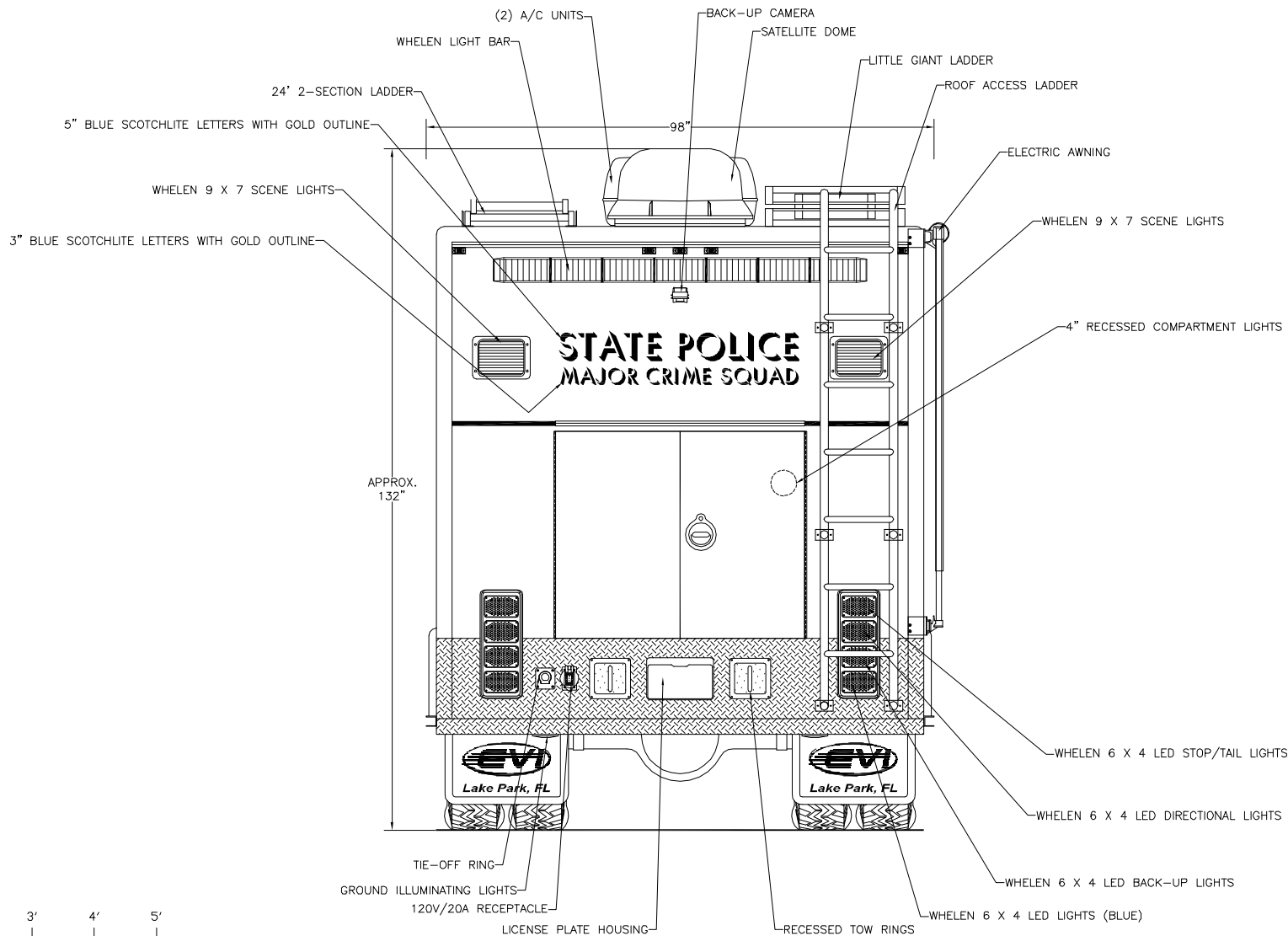


Front View

THESE DESIGN/ENGINEERING DRAWING(S) ARE THE PROPERTY OF EMERGENCY VEHICLES, INC. THEY ARE PROPRIETARY, AND ARE FOR THE EXCLUSIVE USE OF YOUR ENTITY. ANY DIVULGING OF THIS DATA TO A THIRD PARTY IS PROHIBITED.

[Signature] DATE: 05/21/08

REVISION 1	NS - 06/02/08
REVISION 2	NS - 06/26/08
REVISION 3	-
REVISION 4	-
REVISION 5	-



Rear View

THESE DESIGN/ENGINEERING DRAWING(S) ARE THE PROPERTY OF EMERGENCY VEHICLES, INC. THEY ARE PROPRIETARY, AND ARE FOR THE EXCLUSIVE USE OF YOUR ENTITY. ANY DIVULGING OF THIS DATA TO A THIRD PARTY IS PROHIBITED.

[Signature] DATE: 05/21/08

REVISION 1	NS - 06/02/08
REVISION 2	NS - 06/26/08
REVISION 3	-
REVISION 4	-
REVISION 5	-