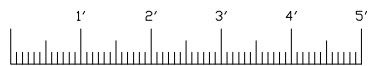
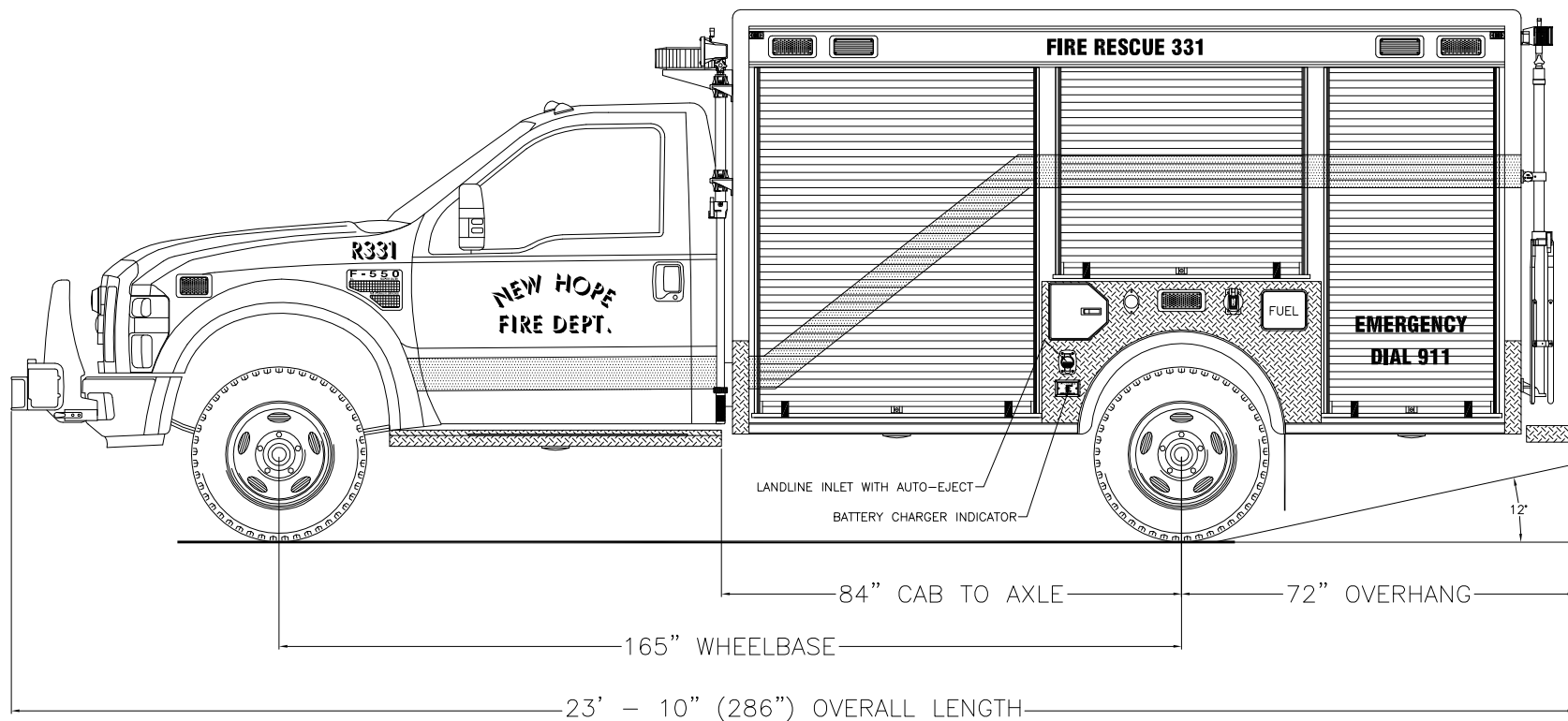


*EMERGENCY VEHICLES, INC.*

*New Hope Fire Department  
New Hope, Alabama*

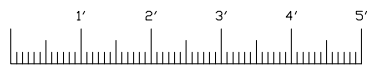
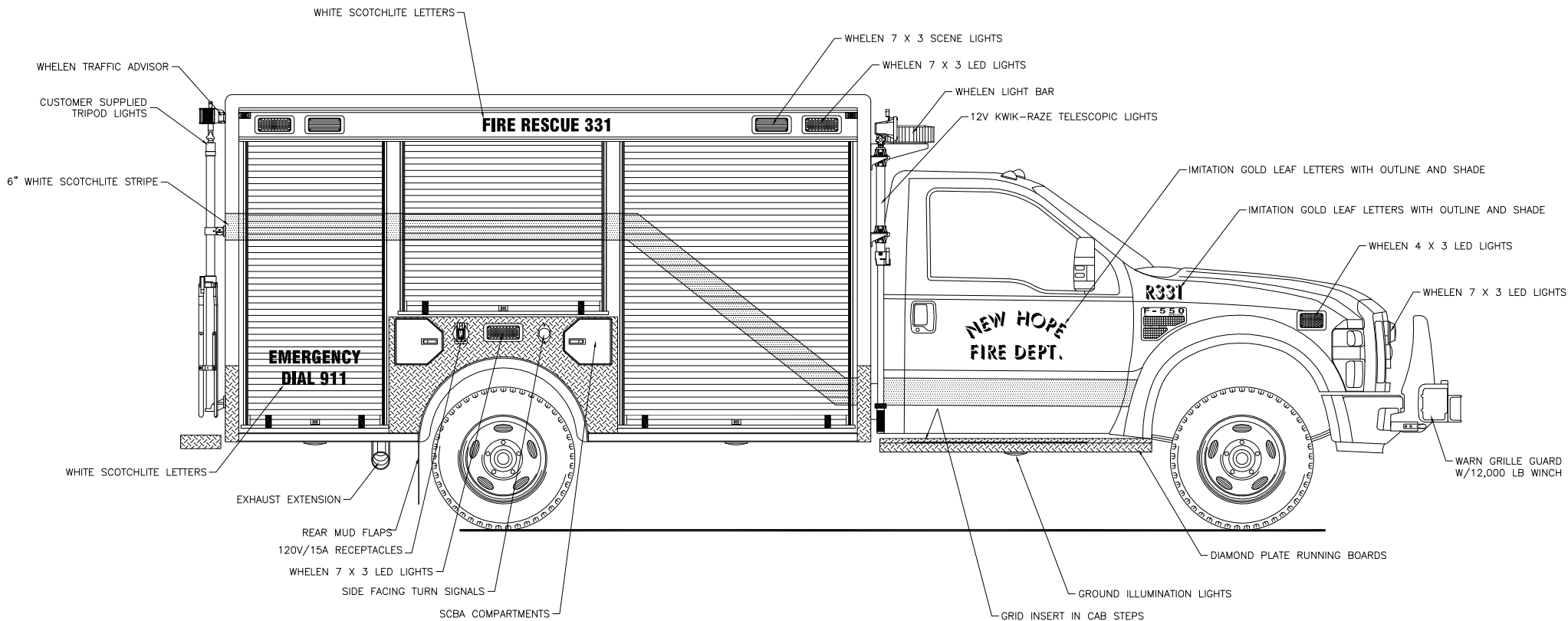


*Streetside Overall*

THESE DESIGN/ENGINEERING DRAWING(S) ARE THE PROPERTY OF EMERGENCY VEHICLES, INC. THEY ARE PROPRIETARY, AND ARE FOR THE EXCLUSIVE USE OF YOUR ENTITY. ANY DIVULGING OF THIS DATA TO A THIRD PARTY IS PROHIBITED.

*E.V. [Signature]* DATE: 07/26/04

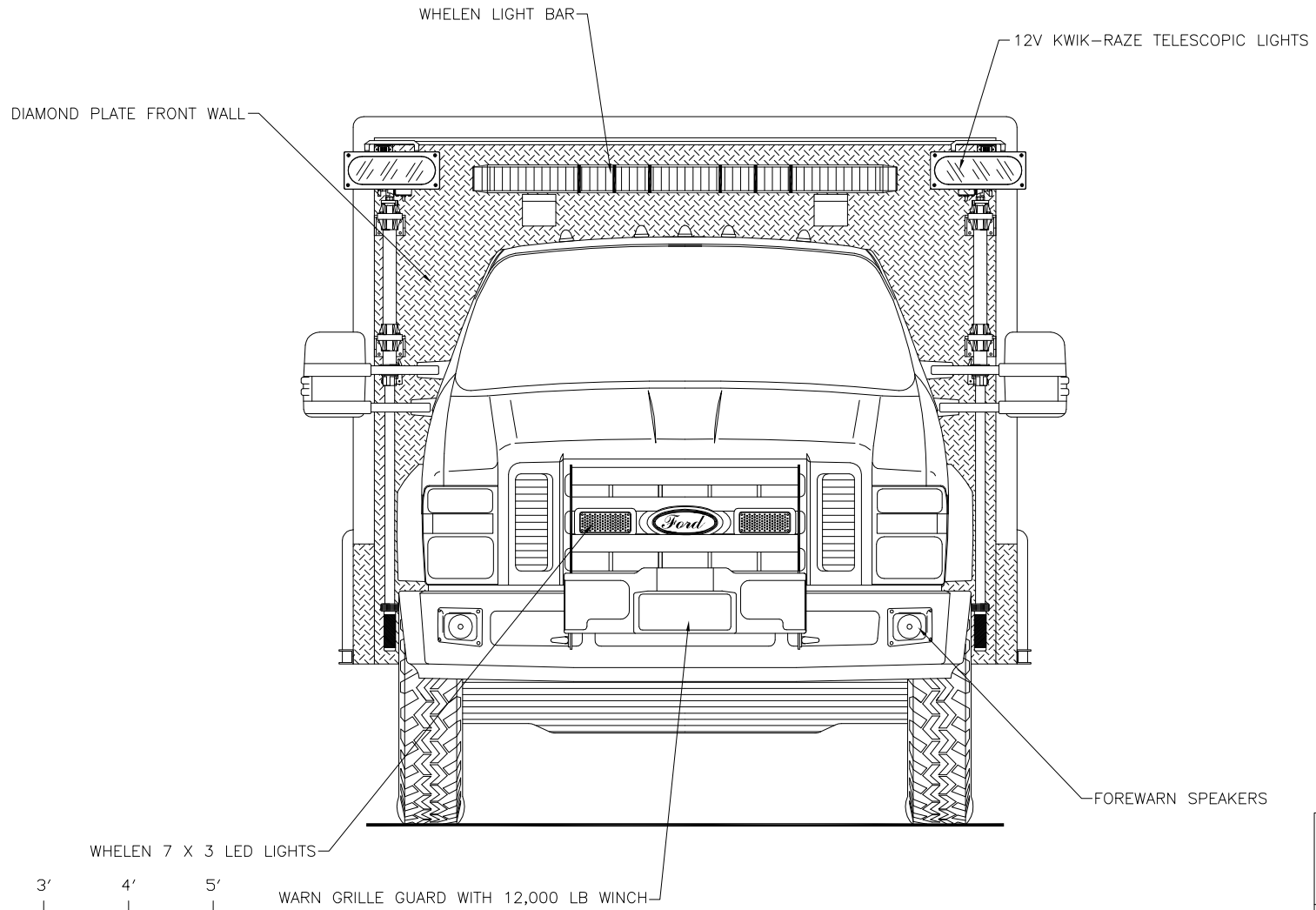
REVISION 1	NS - 02/16/07
REVISION 2	NS - 04/23/07
REVISION 3	NS - 08/03/07
REVISION 4	NS - 10/10/07
REVISION 5	-



*Curbside Overall*

THESE DESIGN/ENGINEERING DRAWING(S) ARE THE PROPERTY OF EMERGENCY VEHICLES, INC. THEY ARE PROPRIETARY, AND ARE FOR THE EXCLUSIVE USE OF YOUR ENTITY. ANY DIVULGING OF THIS DATA TO A THIRD PARTY IS PROHIBITED.

<i>EJ</i> DATE: 07/26/04	
REVISION 1	NS - 02/16/07
REVISION 2	NS - 08/03/07
REVISION 3	NS - 10/10/07
REVISION 4	-
REVISION 5	-



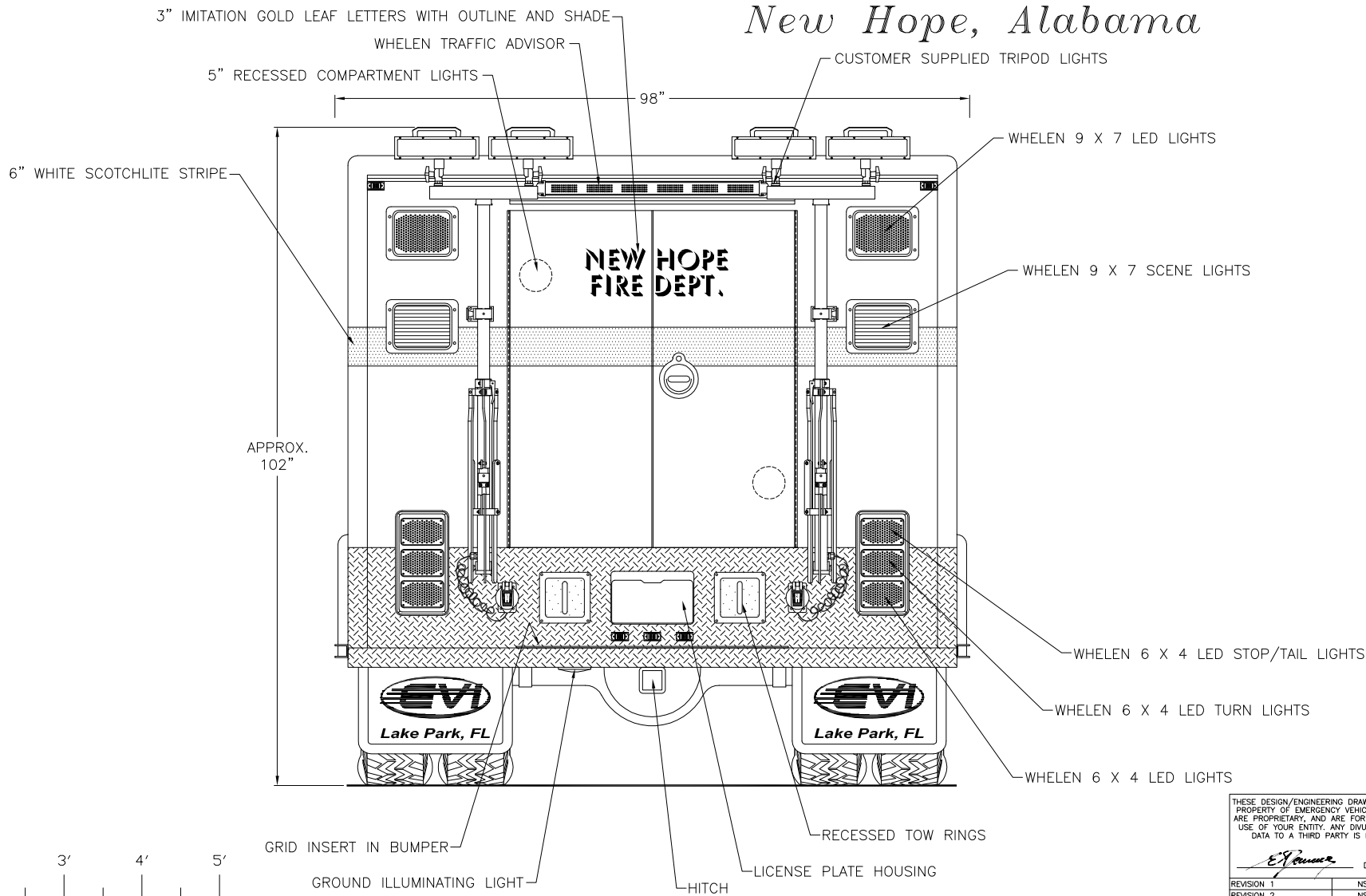
*Front View*

THESE DESIGN/ENGINEERING DRAWING(S) ARE THE PROPERTY OF EMERGENCY VEHICLES, INC. THEY ARE PROPRIETARY, AND ARE FOR THE EXCLUSIVE USE OF YOUR ENTITY. ANY DIVULGING OF THIS DATA TO A THIRD PARTY IS PROHIBITED.

*E.V. Inc.* DATE: 07/26/04

REVISION 1	NS - 02/16/07
REVISION 2	NS - 04/23/07
REVISION 3	NS - 08/03/07
REVISION 4	NS - 10/10/07
REVISION 5	-

*New Hope Fire Department  
New Hope, Alabama*



*Rear View*

THESE DESIGN/ENGINEERING DRAWING(S) ARE THE PROPERTY OF EMERGENCY VEHICLES, INC. THEY ARE PROPRIETARY, AND ARE FOR THE EXCLUSIVE USE OF YOUR ENTITY. ANY DIVULGING OF THIS DATA TO A THIRD PARTY IS PROHIBITED.

*E.V. Inc.* DATE: 07/26/04

REVISION 1	NS - 02/16/07
REVISION 2	NS - 04/23/07
REVISION 3	-
REVISION 4	-
REVISION 5	-