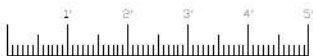
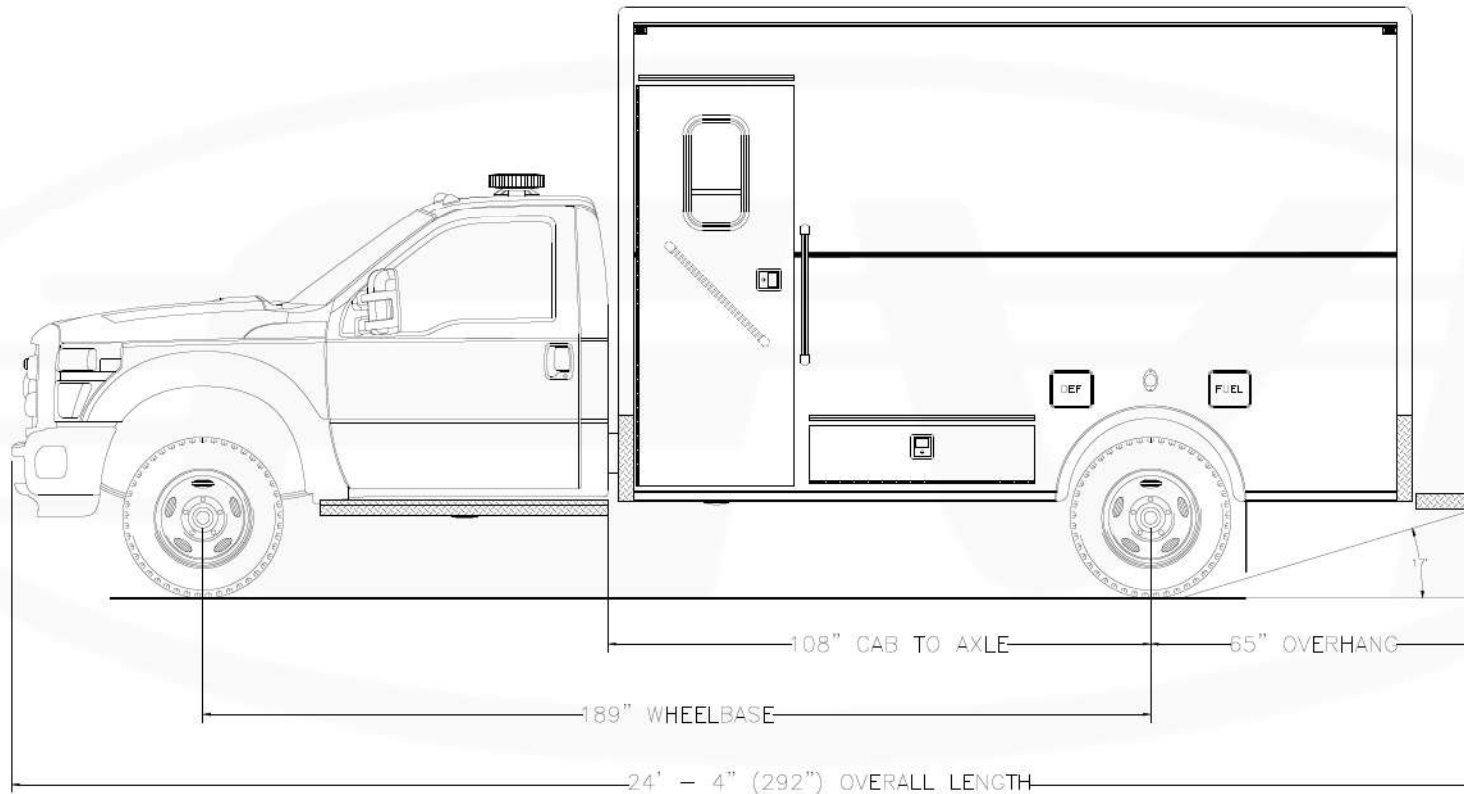




705 13TH STREET, LAKE PARK, FL  
800-848-6652

*Puerto Rico Police Department  
Puerto Rico*



*Streetside Overall*

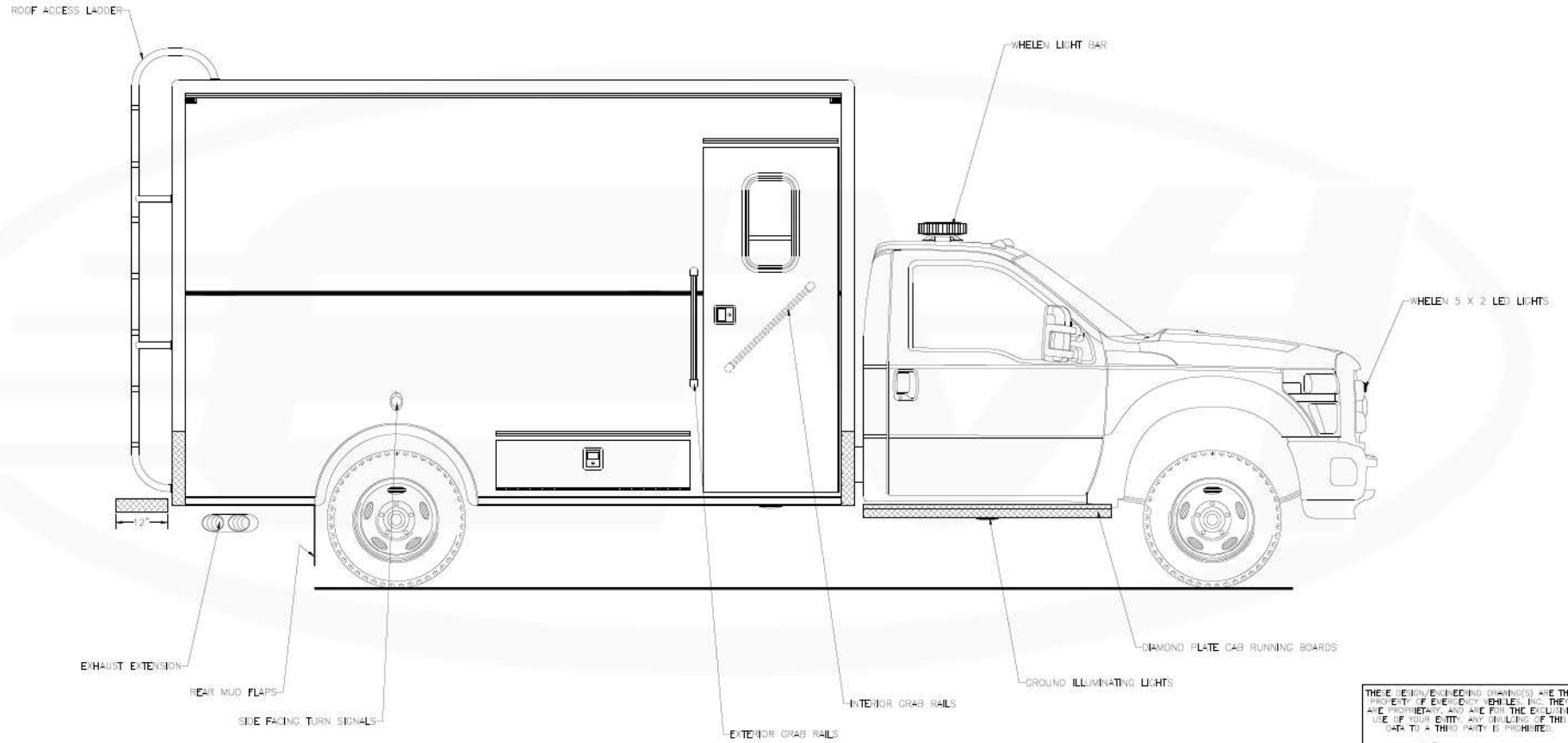
THESE DESIGN/ENGINEERING DRAWINGS ARE THE PROPERTY OF EVERADY VEHICLES, INC. THEY ARE PROVIDED AND ARE FOR THE EXCLUSIVE USE OF YOUR ENTITY. ANY CHANGING OF THIS DATA TO A THIRD PARTY IS PROHIBITED.

	DATE 01/03/11
REVISION 1	MS - 06/28/11
REVISION 2	-
REVISION 3	-
REVISION 4	-
REVISION 5	-



705 13TH STREET, LAKE PARK, FL  
800-848-6652

Puerto Rico Police Department  
Puerto Rico



Curbside Overall

THESE DESIGN/ENGINEERING DRAWINGS ARE THE PROPERTY OF EVERADY VEHICLES, INC. THEY ARE PROVIDED AND ARE FOR THE EXCLUSIVE USE OF YOUR ENTITY. ANY CHANGING OF THIS DATA TO A THIRD PARTY IS PROHIBITED.

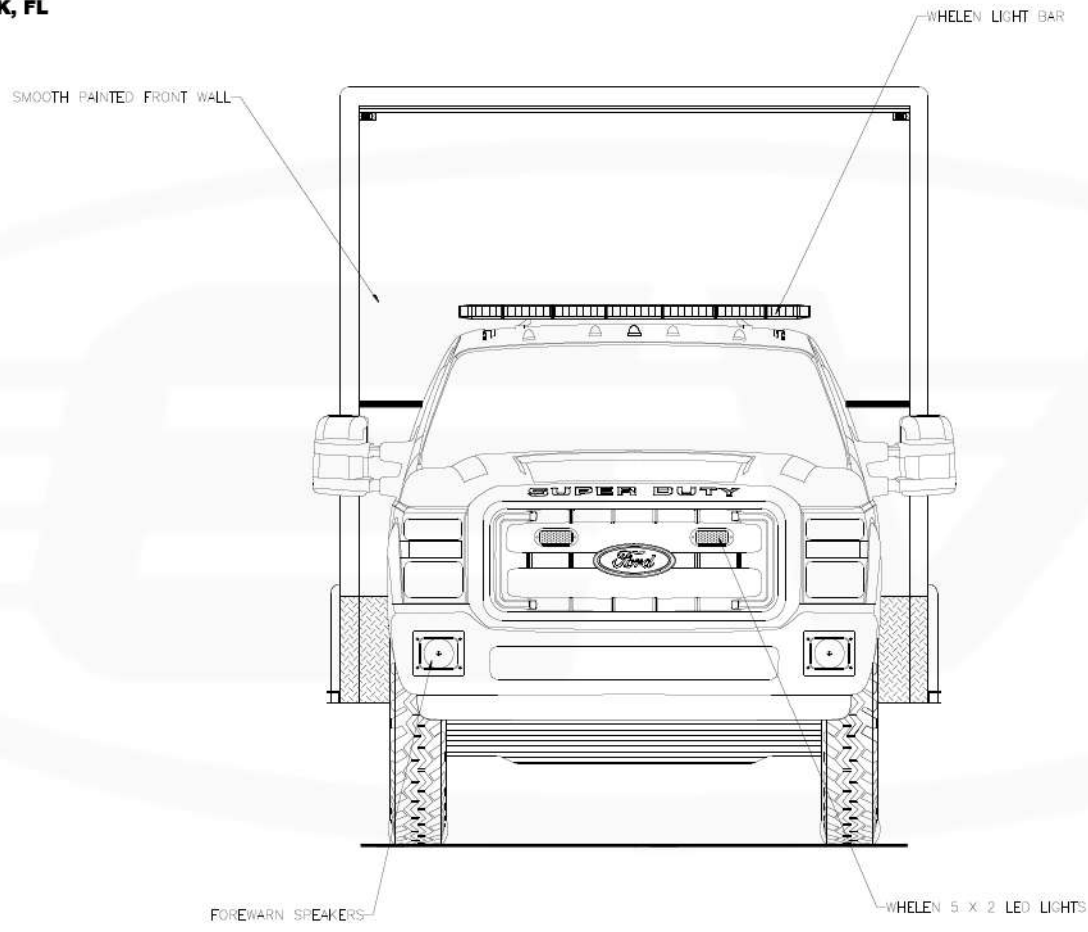
*E. J. Sanchez* DATE 01/03/11

REVISION	NO	06/28/11
REVISION 2	-	-
REVISION 3	-	-
REVISION 4	-	-
REVISION 5	-	-



705 13TH STREET, LAKE PARK, FL  
800-848-6652

*Puerto Rico Police Department  
Puerto Rico*



*Front View*

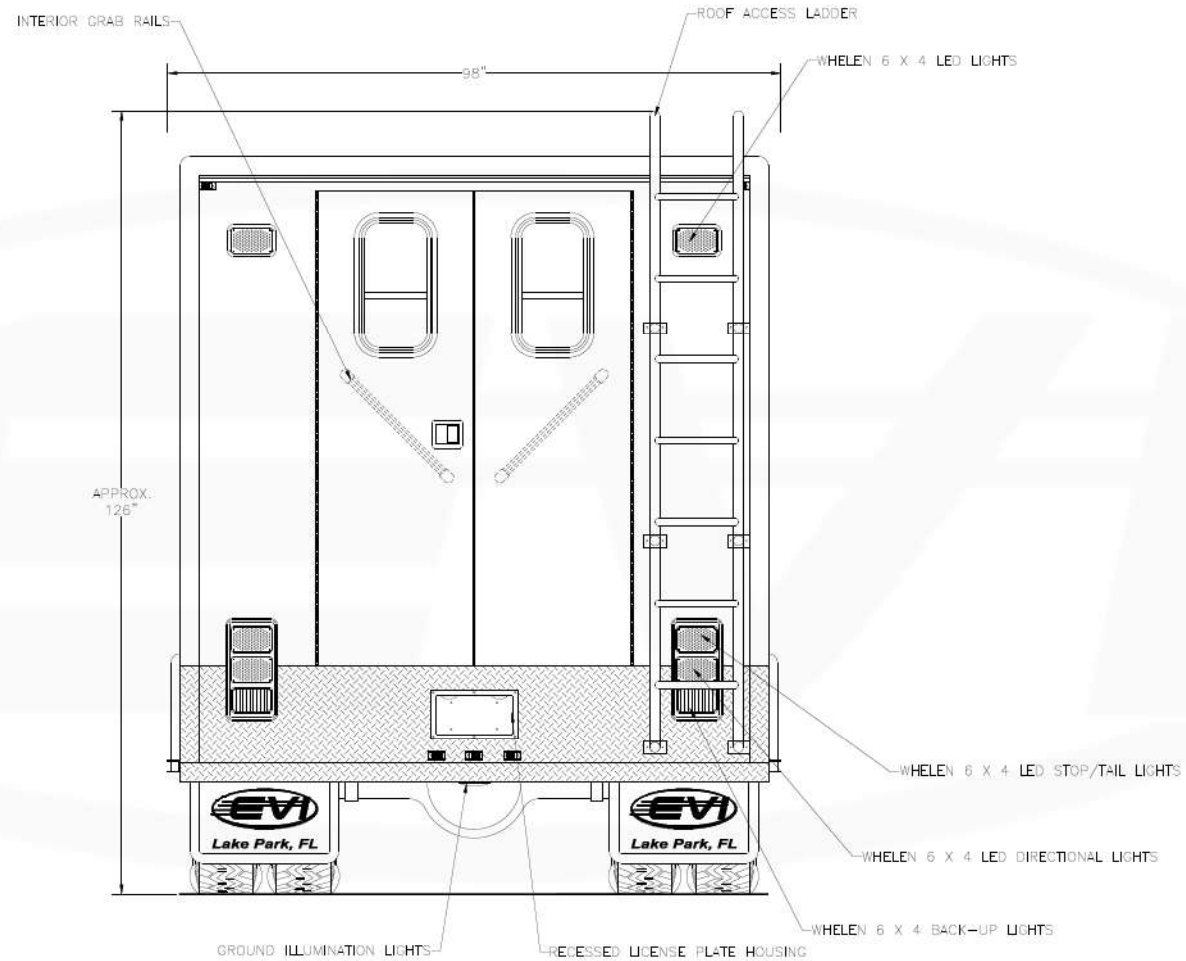
THESE DESIGN/ENGINEERING DRAWINGS ARE THE PROPERTY OF EVERREADY VEHICLES, INC. THEY ARE PROVIDED AND ARE FOR THE EXCLUSIVE USE OF YOUR ENTITY AND CREATING OF THIS DATA TO A THIRD PARTY IS PROHIBITED.

<i>E. James</i>		DATE 01/03/11
REVISION 1	MS - 06/28/11	
REVISION 2	-	
REVISION 3	-	
REVISION 4	-	
REVISION 5	-	



705 13TH STREET, LAKE PARK, FL  
800-848-6652

*Puerto Rico Police Department  
Puerto Rico*



*Rear View*



THESE DESIGN/ENGINEERING DRAWINGS ARE THE PROPERTY OF EVI ENERGY VEHICLES, INC. THEY ARE PROVIDED AS IS AND ARE FOR THE EXCLUSIVE USE OF YOUR ENTITY. ANY CHANGING OF THIS DATA TO A THIRD PARTY IS PROHIBITED.

*E. J. Alvarez* DATE: 01/03/11

REVISION 1	MS - 06/28/11
REVISION 2	-
REVISION 3	-
REVISION 4	-
REVISION 5	-