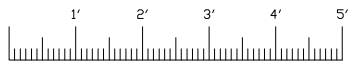
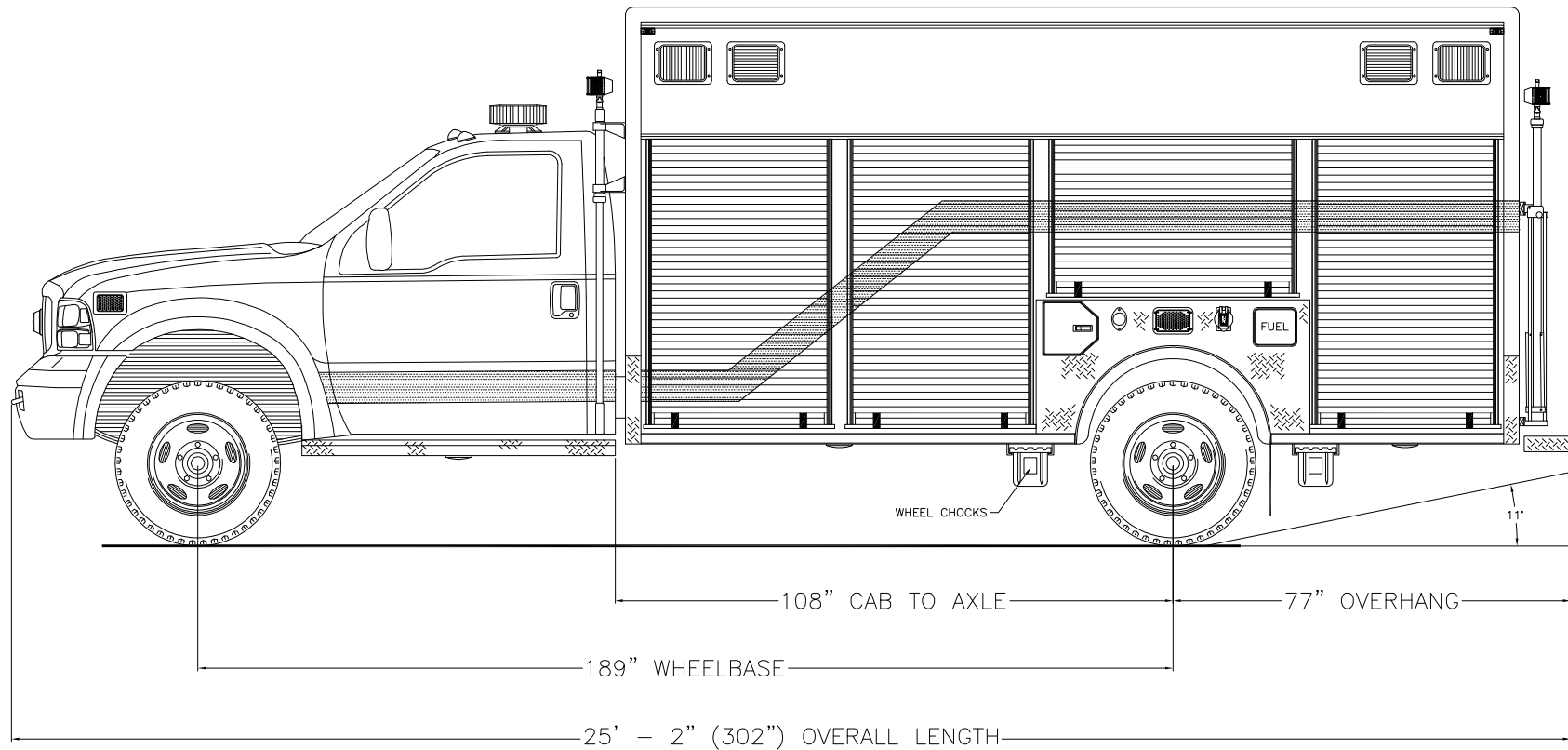


EMERGENCY VEHICLES, INC.

*Rockmart Fire & Emergency Services
Rockmart, Georgia*

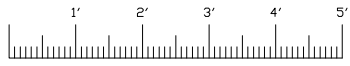
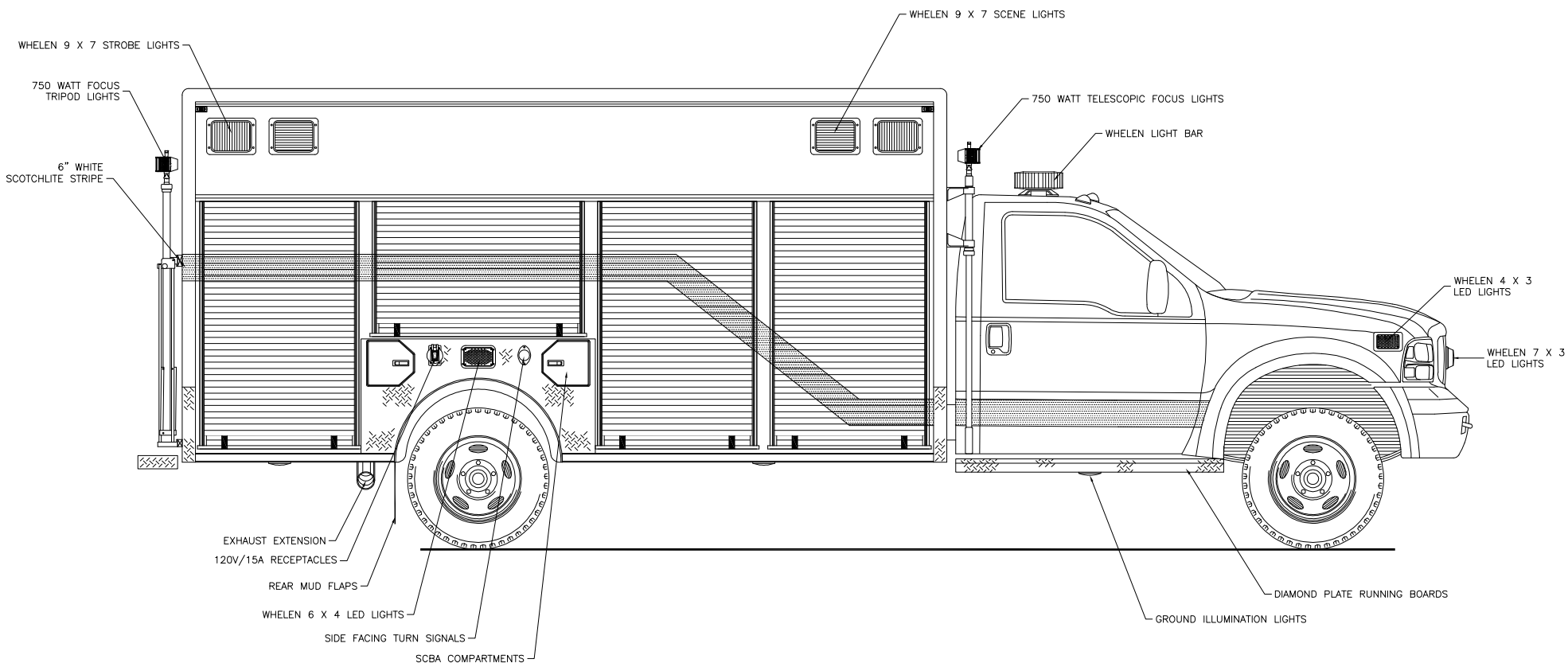


Streetside Overall

THESE DESIGN/ENGINEERING DRAWING(S) ARE THE PROPERTY OF EMERGENCY VEHICLES, INC. THEY ARE PROPRIETARY, AND ARE FOR THE EXCLUSIVE USE OF YOUR ENTITY. ANY DIVULGING OF THIS DATA TO A THIRD PARTY IS PROHIBITED.

E.V. Penner DATE: 01/25/05

REVISION 1	NS - 09/21/06
REVISION 2	-
REVISION 3	-
REVISION 4	-
REVISION 5	-

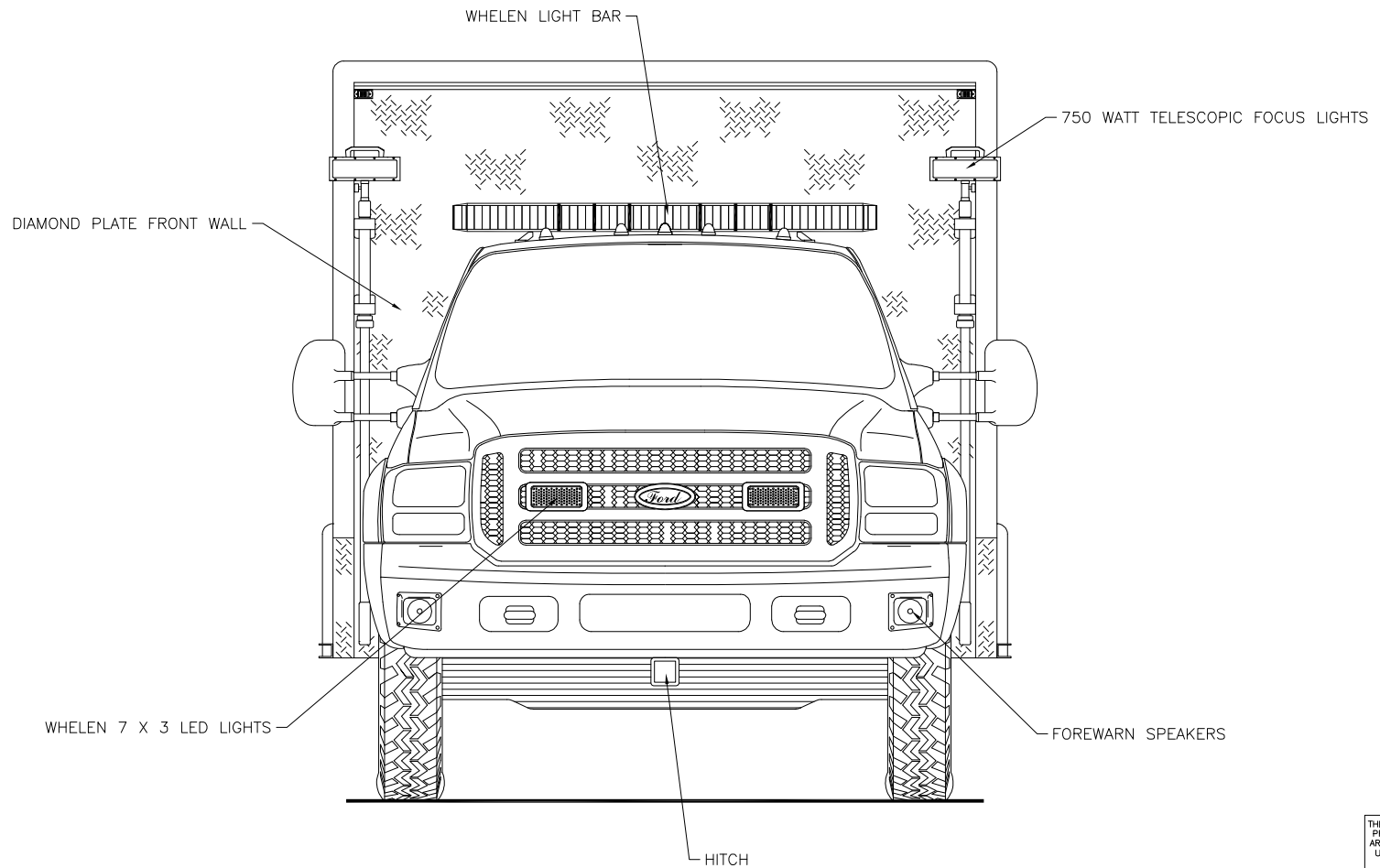


Curbside Overall

THESE DESIGN/ENGINEERING DRAWING(S) ARE THE PROPERTY OF EMERGENCY VEHICLES, INC. THEY ARE PROPRIETARY, AND ARE FOR THE EXCLUSIVE USE OF YOUR ENTITY. ANY DIVULGING OF THIS DATA TO A THIRD PARTY IS PROHIBITED.

E.V. Penner DATE: 01/25/05

REVISION 1	NS - 09/21/06
REVISION 2	-
REVISION 3	-
REVISION 4	-
REVISION 5	-

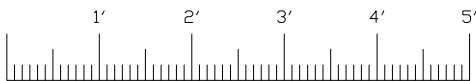
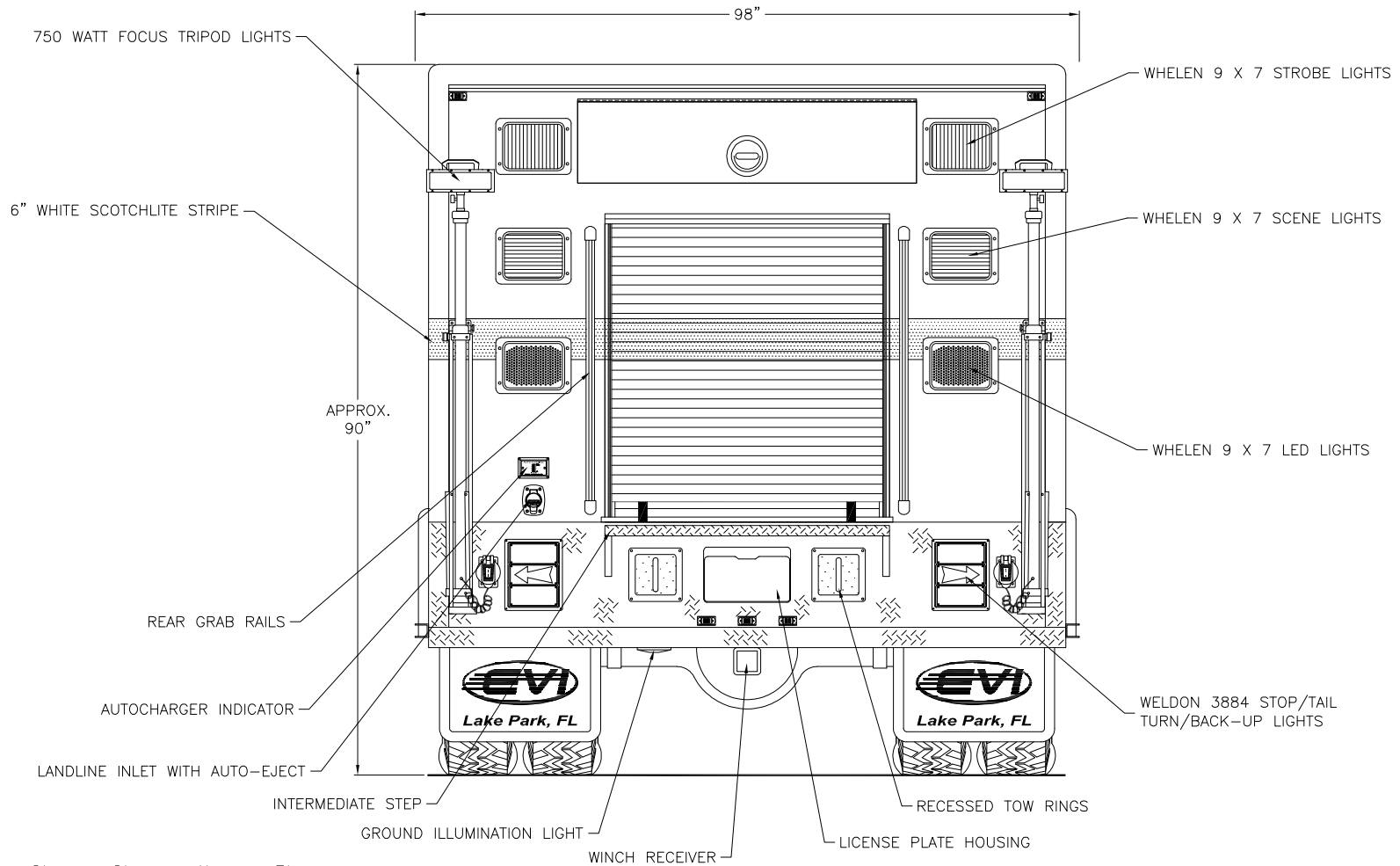


Front View

THESE DESIGN/ENGINEERING DRAWING(S) ARE THE PROPERTY OF EMERGENCY VEHICLES, INC. THEY ARE PROPRIETARY, AND ARE FOR THE EXCLUSIVE USE OF YOUR ENTITY. ANY DIVULGING OF THIS DATA TO A THIRD PARTY IS PROHIBITED.

E.V. Penner DATE: 01/25/05

REVISION 1	NS - 09/21/06
REVISION 2	-
REVISION 3	-
REVISION 4	-
REVISION 5	-



Rear View

THESE DESIGN/ENGINEERING DRAWING(S) ARE THE PROPERTY OF EMERGENCY VEHICLES, INC. THEY ARE PROPRIETARY, AND ARE FOR THE EXCLUSIVE USE OF YOUR ENTITY. ANY DIVULGING OF THIS DATA TO A THIRD PARTY IS PROHIBITED.

E.V. Penner DATE: 01/25/05

REVISION 1	NS - 09/21/06
REVISION 2	-
REVISION 3	-
REVISION 4	-
REVISION 5	-