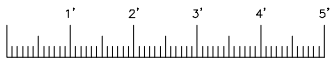
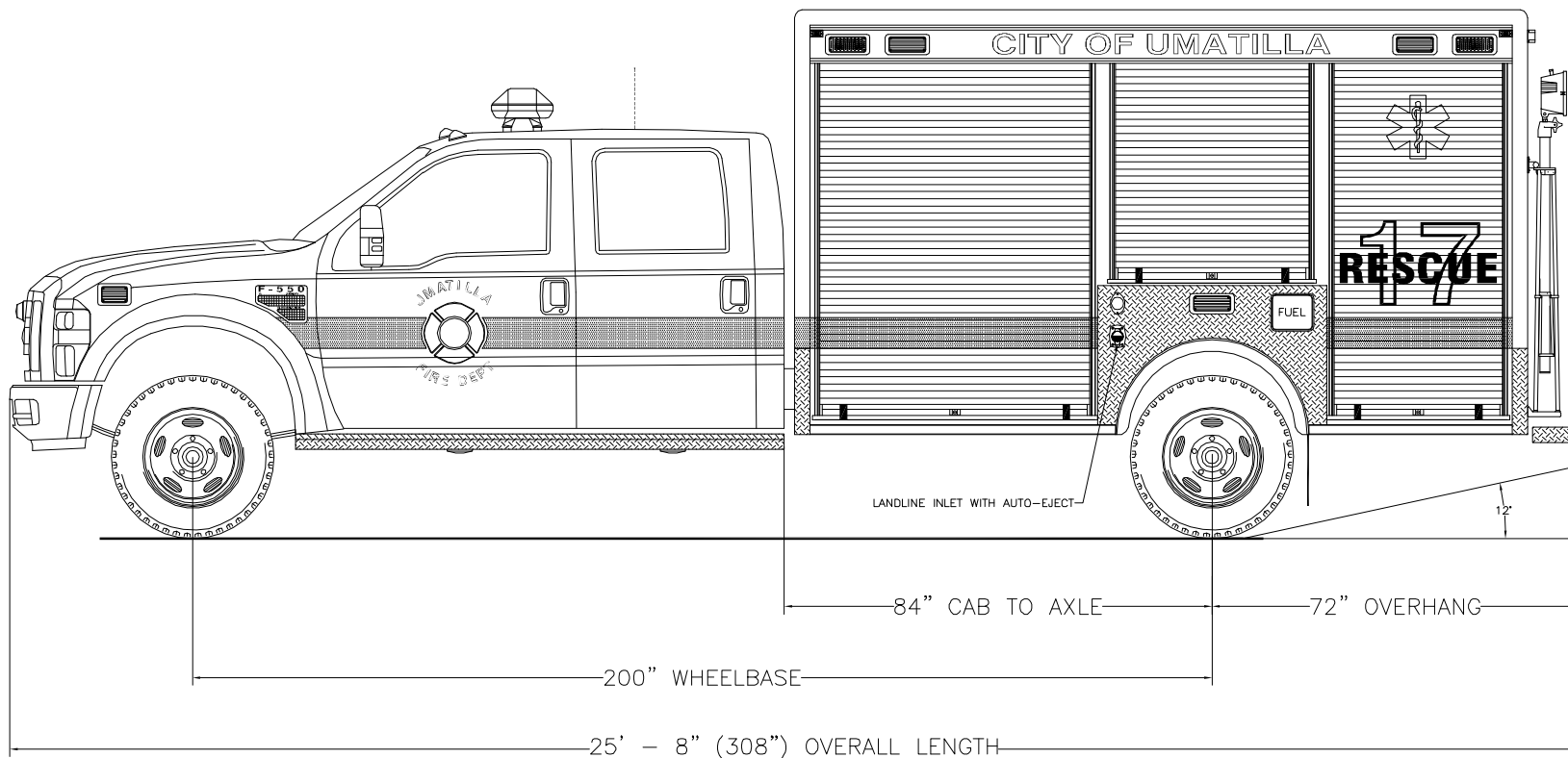


EMERGENCY VEHICLES, INC.

*Umatilla Fire Department
Umatilla, Florida*

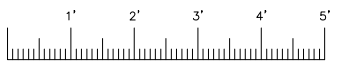
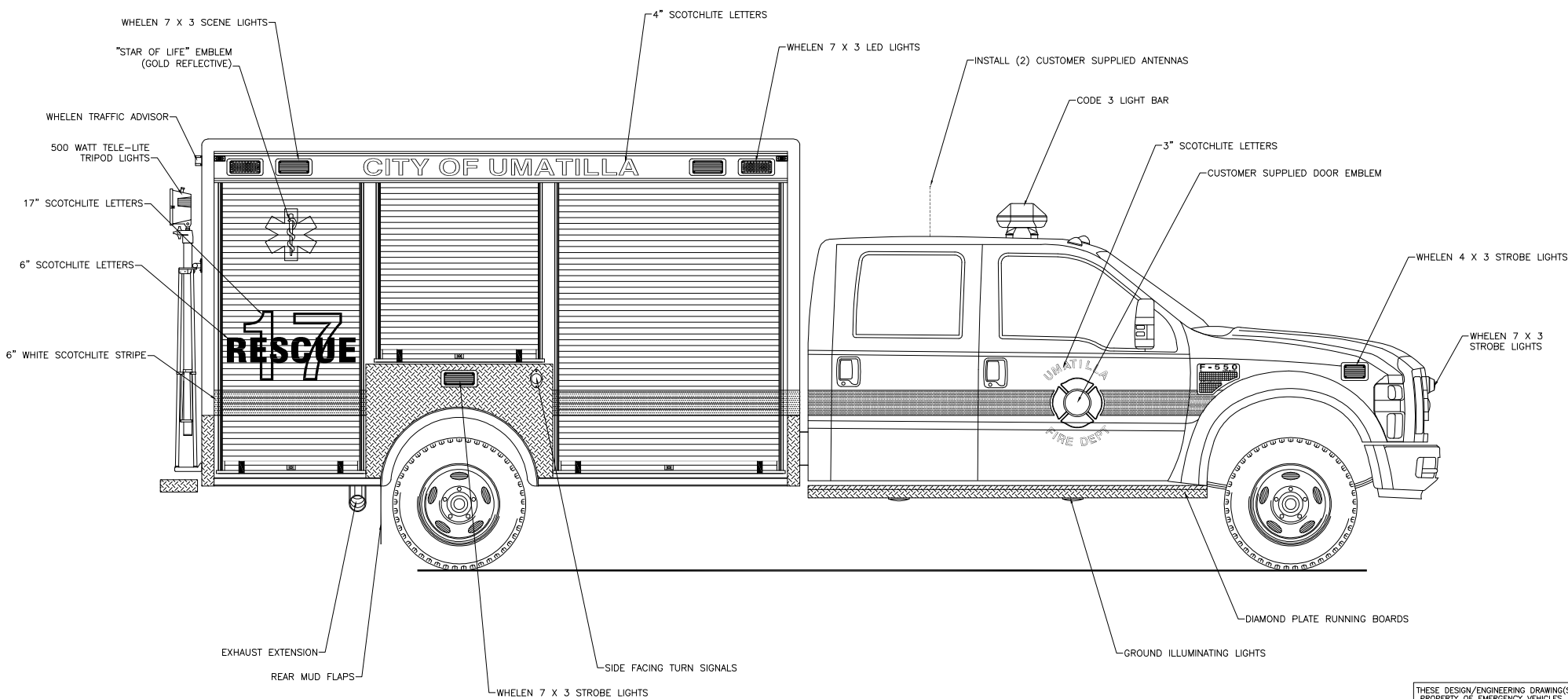


Streetside Overall

THESE DESIGN/ENGINEERING DRAWING(S) ARE THE PROPERTY OF EMERGENCY VEHICLES, INC. THEY ARE PROPRIETARY, AND ARE FOR THE EXCLUSIVE USE OF YOUR ENTITY. ANY DIVULGING OF THIS DATA TO A THIRD PARTY IS PROHIBITED.

[Signature] DATE: 11/10/06

REVISION 1	NS - 04/02/07
REVISION 2	NS - 05/16/07
REVISION 3	-
REVISION 4	-
REVISION 5	-

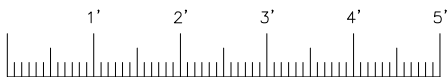
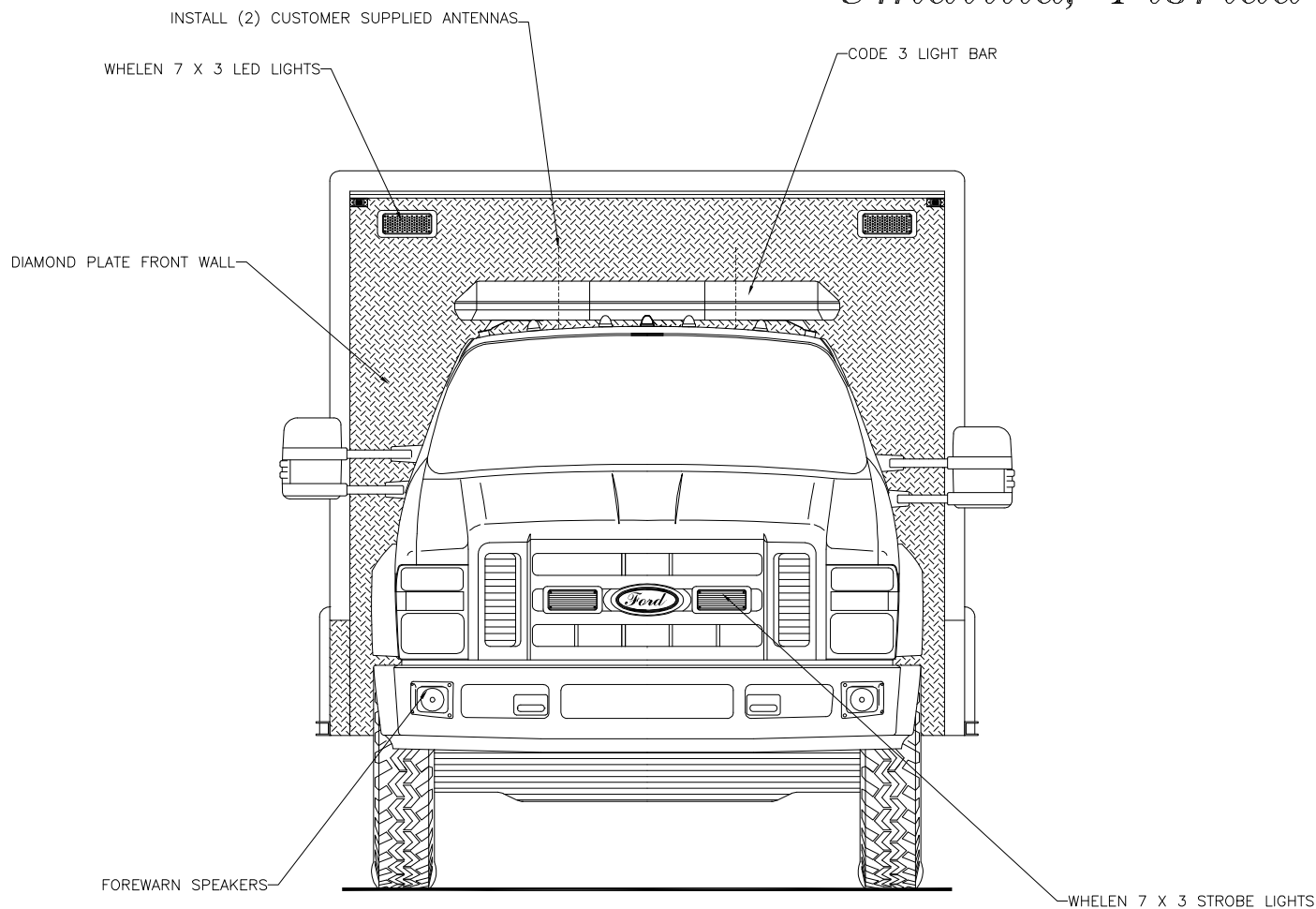


Curbside Overall

THESE DESIGN/ENGINEERING DRAWING(S) ARE THE PROPERTY OF EMERGENCY VEHICLES, INC. THEY ARE PROPRIETARY, AND ARE FOR THE EXCLUSIVE USE OF YOUR ENTITY. ANY DIVULGING OF THIS DATA TO A THIRD PARTY IS PROHIBITED.


[Signature] DATE: 11/10/06

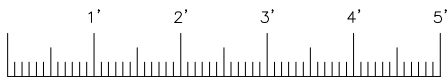
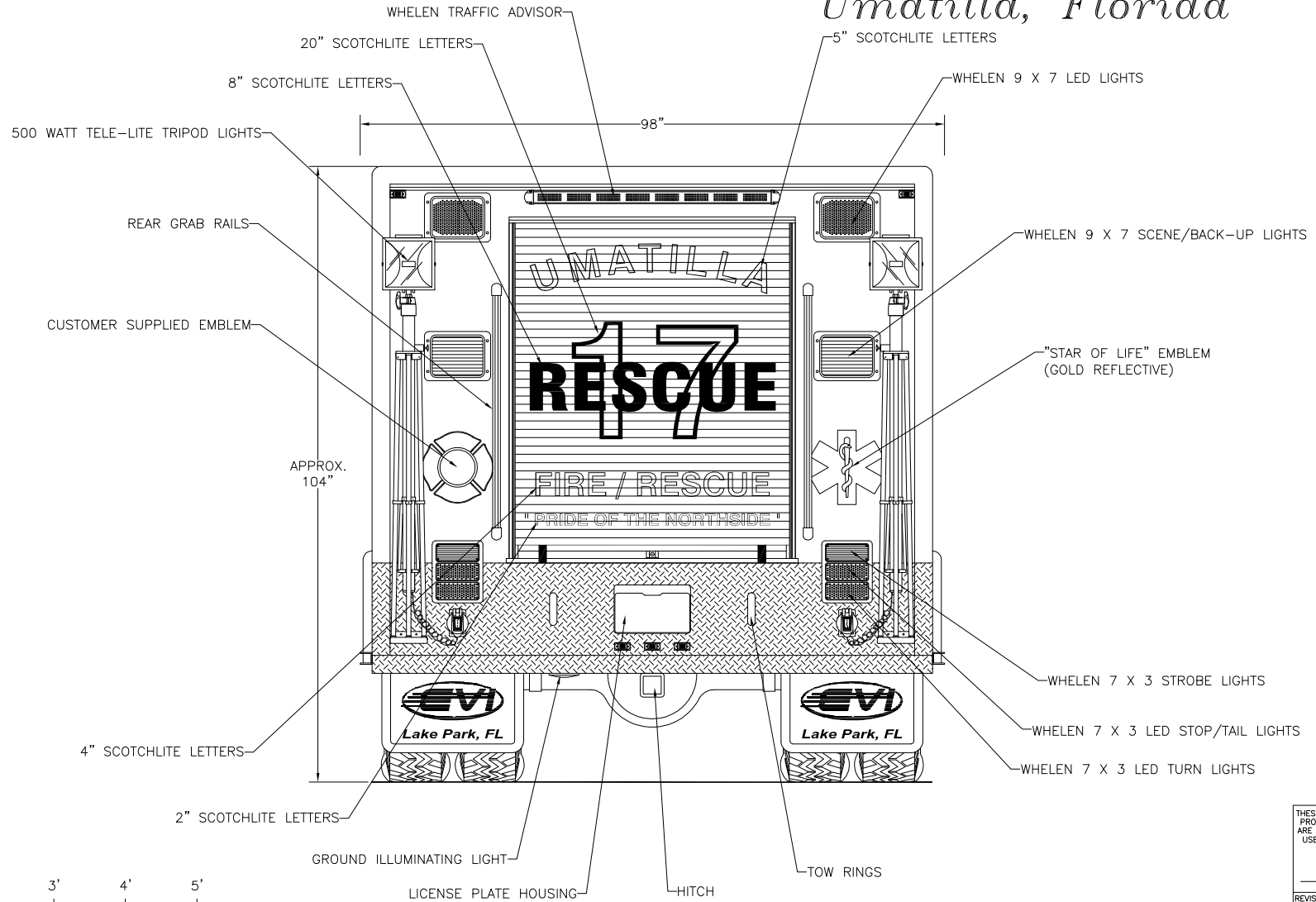
REVISION 1	NS - 04/02/07
REVISION 2	NS - 05/16/07
REVISION 3	-
REVISION 4	-
REVISION 5	-



Front View

THESE DESIGN/ENGINEERING DRAWING(S) ARE THE PROPERTY OF EMERGENCY VEHICLES, INC. THEY ARE PROPRIETARY, AND ARE FOR THE EXCLUSIVE USE OF YOUR ENTITY. ANY DIVULGING OF THIS DATA TO A THIRD PARTY IS PROHIBITED.

		DATE: 11/10/06
REVISION 1	NS - 04/02/07	
REVISION 2	NS - 05/16/07	
REVISION 3	NS - 10/08/07	
REVISION 4	-	
REVISION 5	-	



Rear View

THESE DESIGN/ENGINEERING DRAWING(S) ARE THE PROPERTY OF EMERGENCY VEHICLES, INC. THEY ARE PROPRIETARY, AND ARE FOR THE EXCLUSIVE USE OF YOUR ENTITY. ANY DIVULGING OF THIS DATA TO A THIRD PARTY IS PROHIBITED.

[Signature] DATE: 11/10/06

REVISION 1	NS - 04/02/07
REVISION 2	NS - 05/16/07
REVISION 3	-
REVISION 4	-
REVISION 5	-