

Curbside Overall

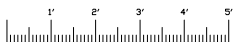
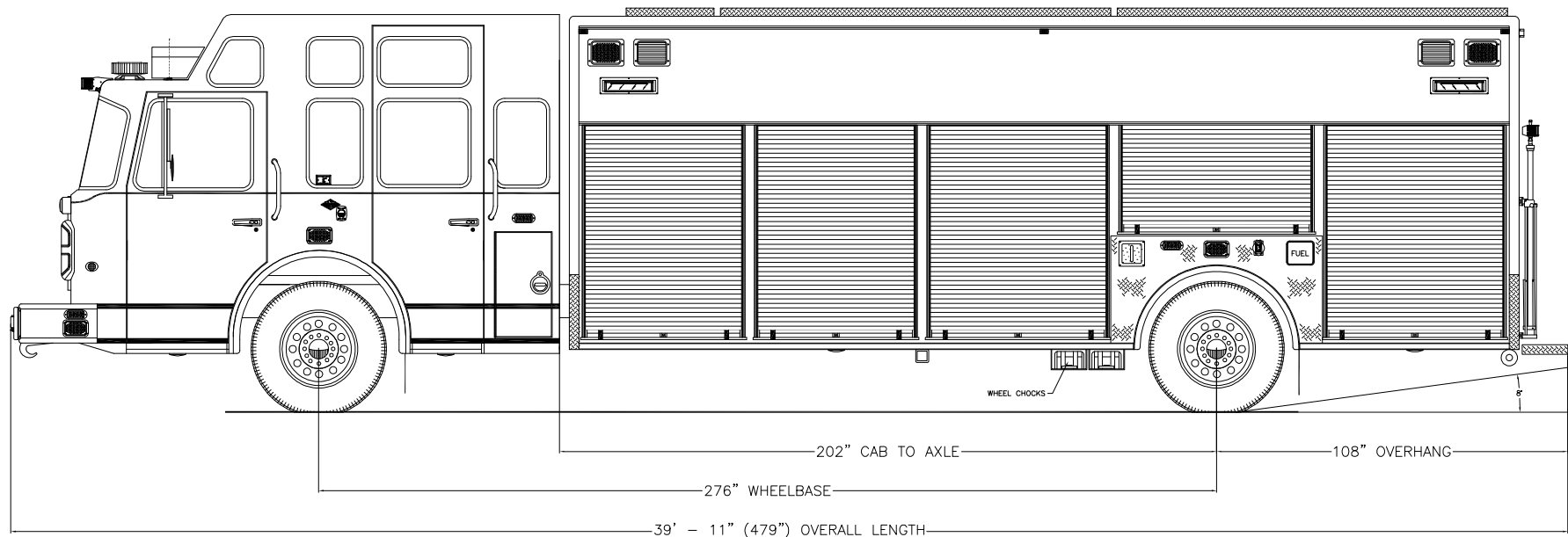
THESE DESIGN/ENGINEERING DRAWING(S) ARE THE PROPERTY OF EMERGENCY VEHICLES, INC. THEY ARE PROPRIETARY, AND ARE FOR THE EXCLUSIVE USE OF YOUR ENTITY. ANY DIVULGING OF THIS DATA TO A THIRD PARTY IS PROHIBITED.

[Signature] DATE: 09/15/05

REVISION 1	NS - 04/13/06
REVISION 2	-
REVISION 3	-
REVISION 4	-
REVISION 5	-

EMERGENCY VEHICLES, INC.

*Cobb County Fire/Emergency Services
Marietta, Georgia*

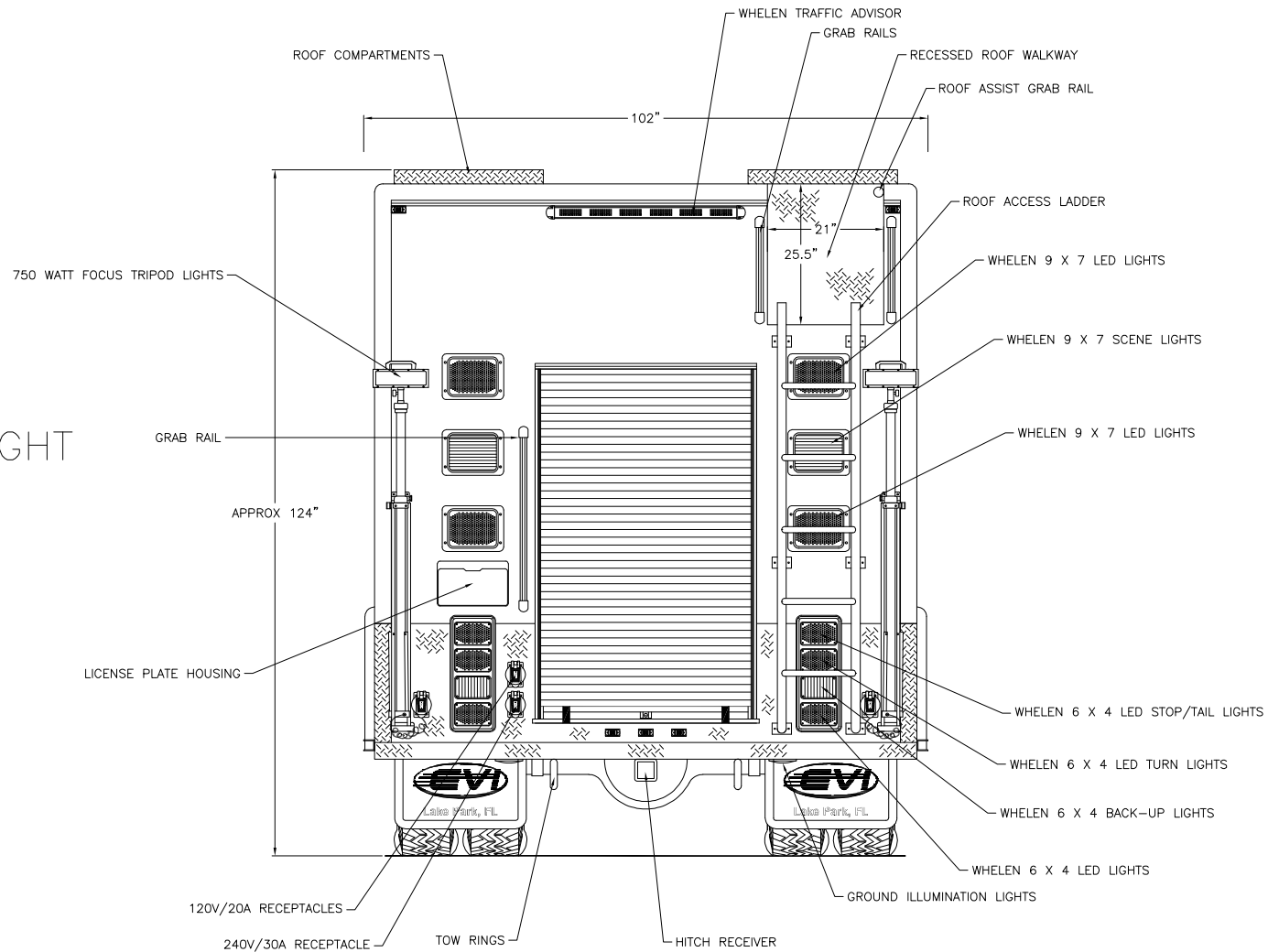


Streetside Overall

THESE DESIGN/ENGINEERING DRAWING(S) ARE THE PROPERTY OF EMERGENCY VEHICLES, INC. THEY ARE PROPRIETARY, AND ARE FOR THE EXCLUSIVE USE OF YOUR ENTITY. ANY DIVULGING OF THIS DATA TO A THIRD PARTY IS PROHIBITED.

[Signature] DATE: 09/15/05

REVISION 1	NS - 04/13/06
REVISION 2	-
REVISION 3	-
REVISION 4	-
REVISION 5	-



MAX. HEIGHT
128"



Rear View

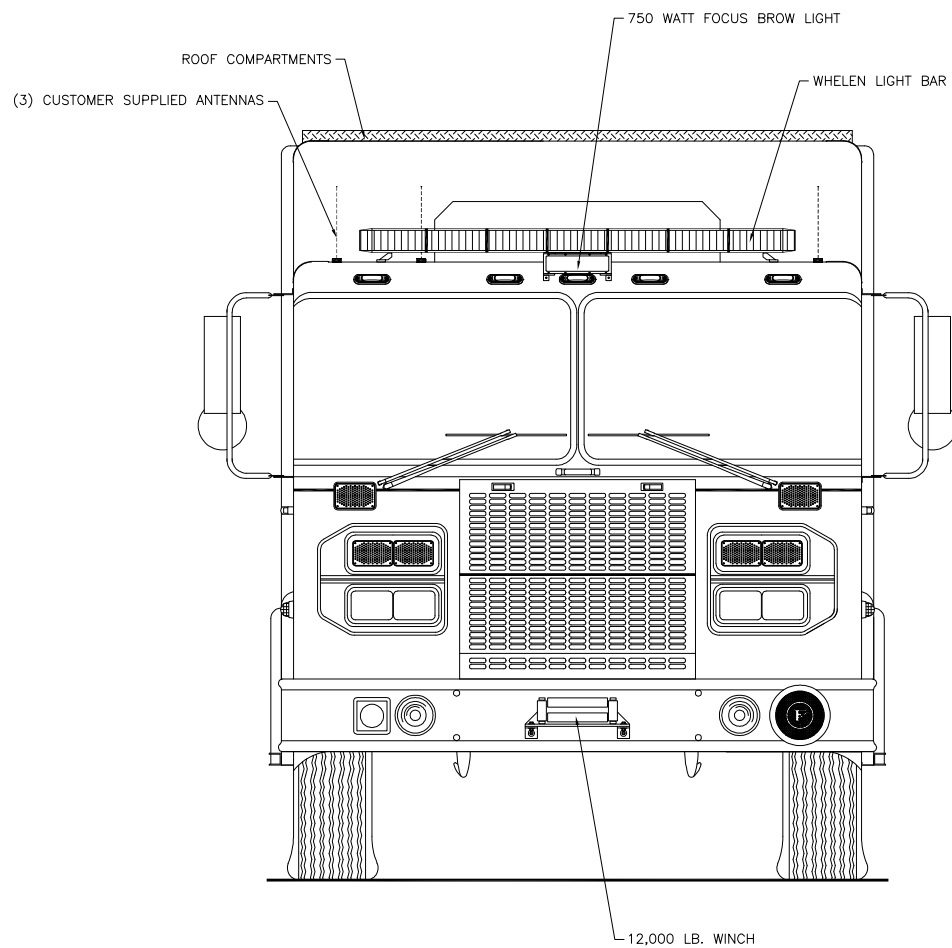
THESE DESIGN/ENGINEERING DRAWING(S) ARE THE PROPERTY OF EMERGENCY VEHICLES, INC. THEY ARE PROPRIETARY, AND ARE FOR THE EXCLUSIVE USE OF YOUR ENTITY. ANY DIVULGING OF THIS DATA TO A THIRD PARTY IS PROHIBITED.

[Signature] DATE: 09/15/05

REVISION 1	NS - 04/13/06
REVISION 2	-
REVISION 3	-
REVISION 4	-
REVISION 5	-

EMERGENCY VEHICLES, INC.

*Cobb County Fire/Emergency Services
Marietta, Georgia*



MAX. HEIGHT
128"



Front View

THESE DESIGN/ENGINEERING DRAWING(S) ARE THE PROPERTY OF EMERGENCY VEHICLES, INC. THEY ARE PROPRIETARY, AND ARE FOR THE EXCLUSIVE USE OF YOUR ENTITY. ANY DIVULGING OF THIS DATA TO A THIRD PARTY IS PROHIBITED.

[Signature] DATE: 09/15/05

REVISION 1	NS - 04/13/06
REVISION 2	-
REVISION 3	-
REVISION 4	-
REVISION 5	-