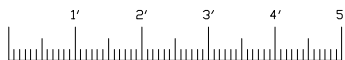
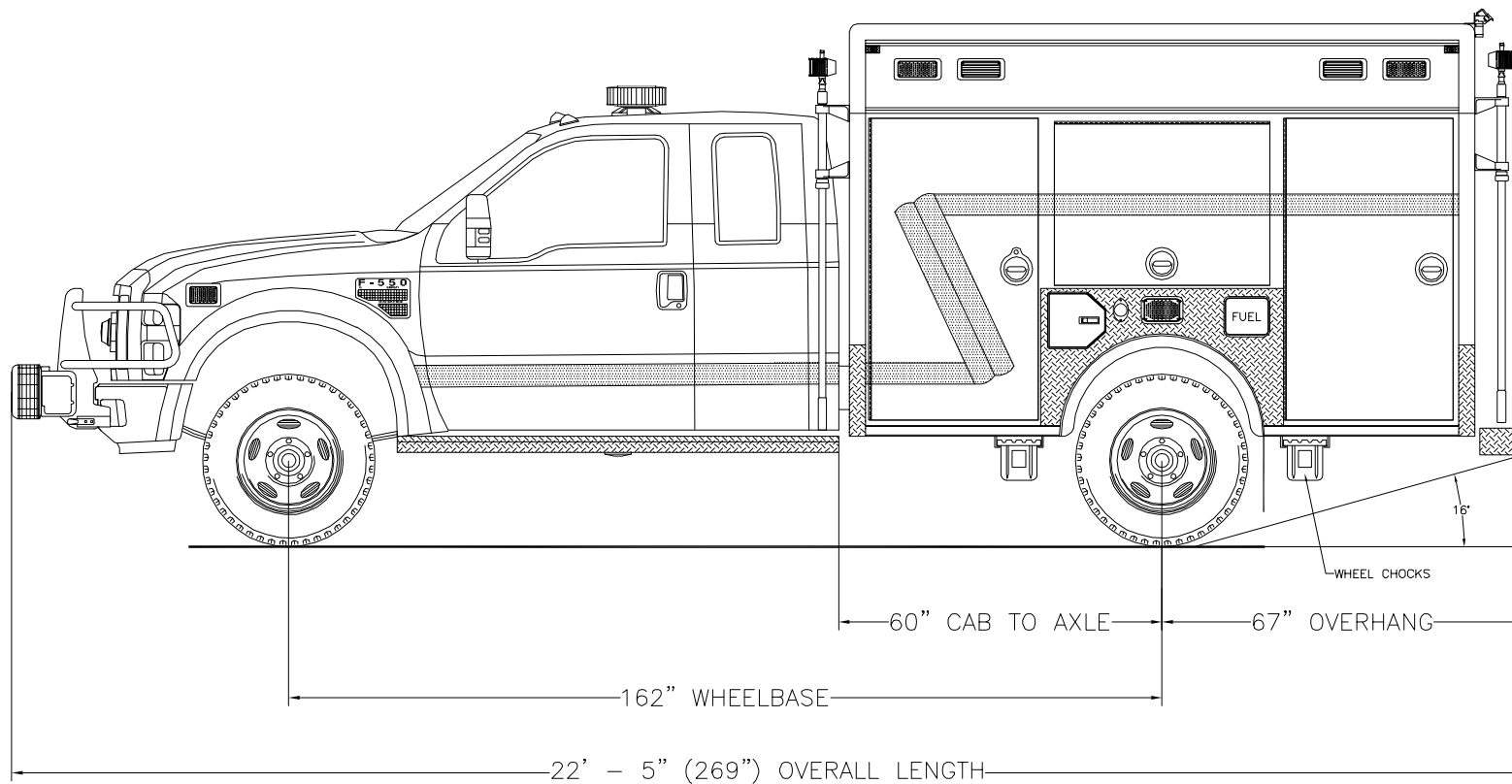


EMERGENCY VEHICLES, INC.

*North Greece Fire Department
North Greece, New York*

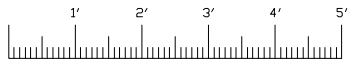
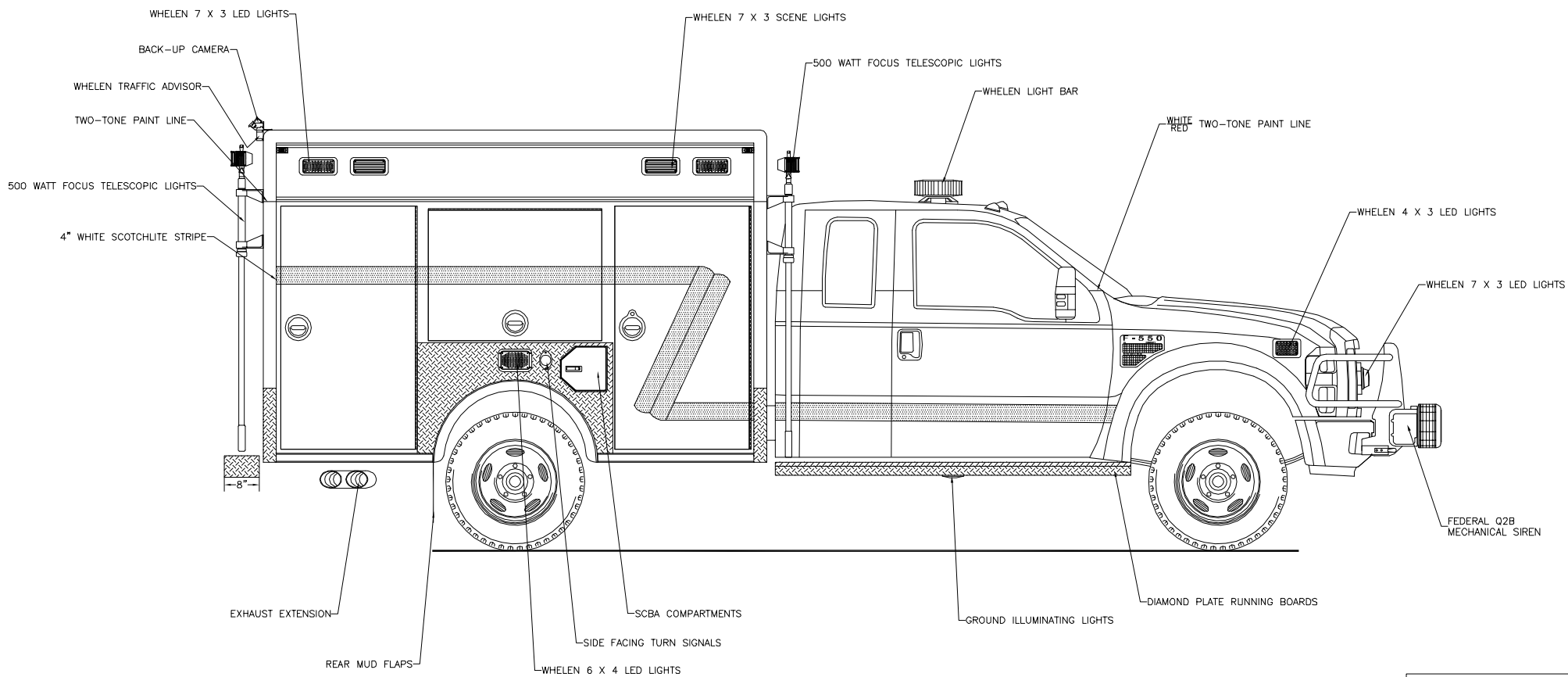


Streetside Overall

THESE DESIGN/ENGINEERING DRAWING(S) ARE THE PROPERTY OF EMERGENCY VEHICLES, INC. THEY ARE PROPRIETARY, AND ARE FOR THE EXCLUSIVE USE OF YOUR ENTITY. ANY DIVULGING OF THIS DATA TO A THIRD PARTY IS PROHIBITED.

E. J. ... DATE: 12/07/07

REVISION 1	NS - 04/07/08
REVISION 2	NS - 05/05/08
REVISION 3	-
REVISION 4	-
REVISION 5	-

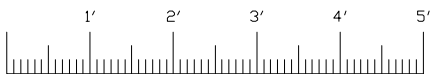
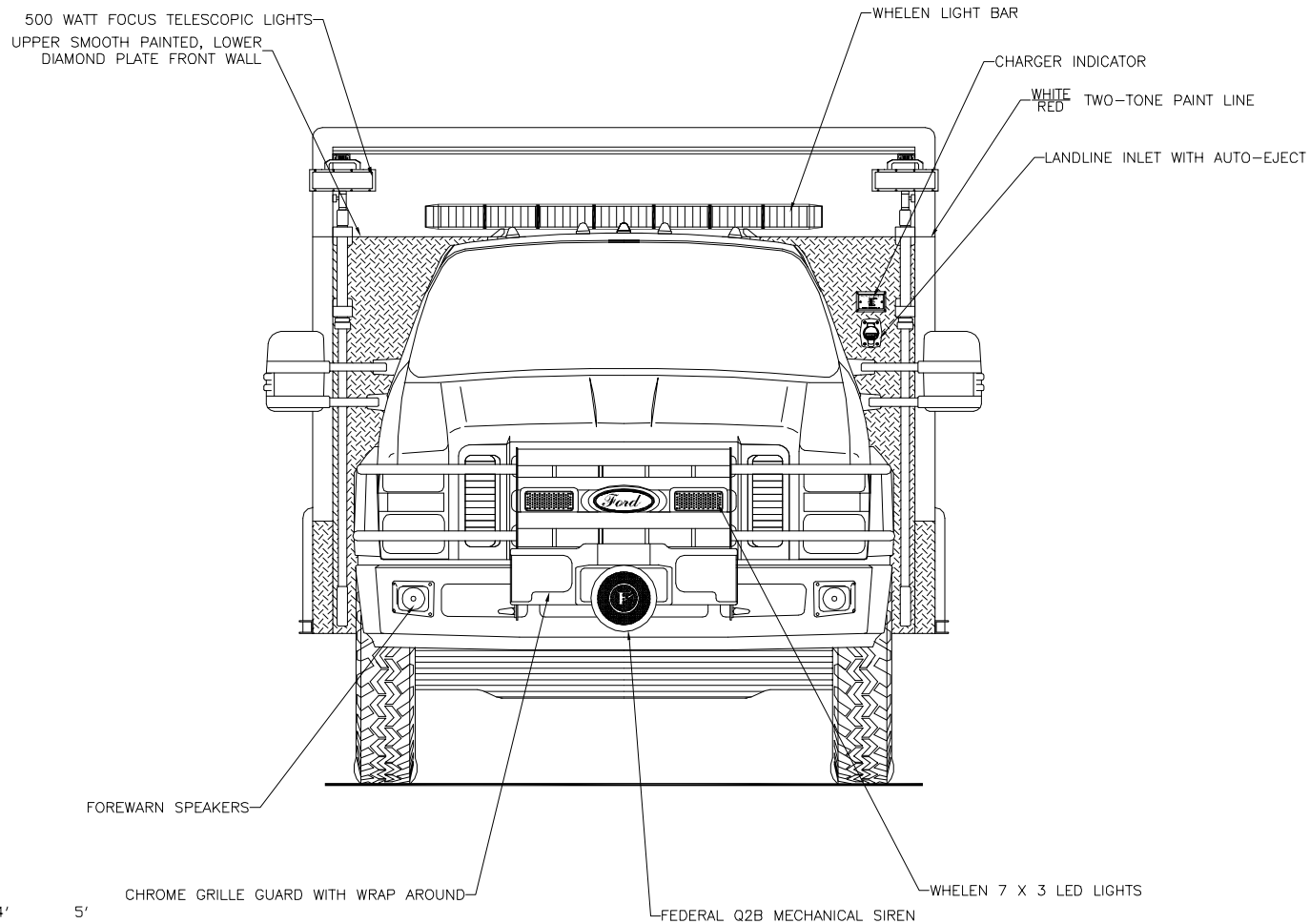


Curbside Overall

THESE DESIGN/ENGINEERING DRAWING(S) ARE THE PROPERTY OF EMERGENCY VEHICLES, INC. THEY ARE PROPRIETARY, AND ARE FOR THE EXCLUSIVE USE OF YOUR ENTITY. ANY DIVULGING OF THIS DATA TO A THIRD PARTY IS PROHIBITED.

E. J. ... DATE: 12/07/07

REVISION 1	NS - 04/07/08
REVISION 2	NS - 05/05/08
REVISION 3	-
REVISION 4	-
REVISION 5	-

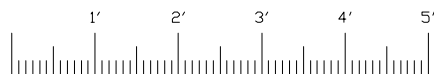
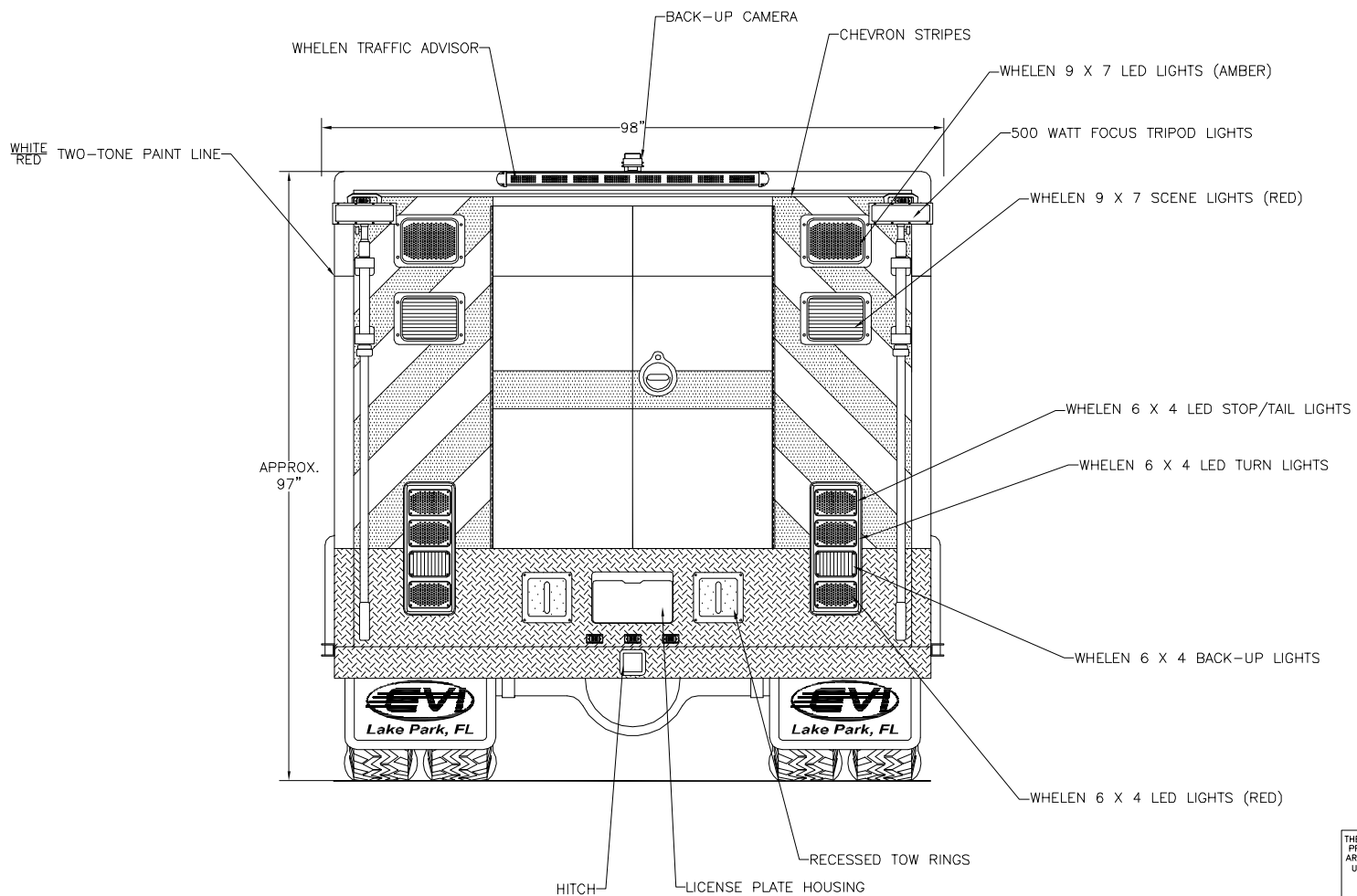


Front View

THESE DESIGN/ENGINEERING DRAWING(S) ARE THE PROPERTY OF EMERGENCY VEHICLES, INC. THEY ARE PROPRIETARY, AND ARE FOR THE EXCLUSIVE USE OF YOUR ENTITY. ANY DIVULGING OF THIS DATA TO A THIRD PARTY IS PROHIBITED.

E. J. Jones DATE: 12/07/07

REVISION 1	NS - 04/07/08
REVISION 2	NS - 05/05/08
REVISION 3	-
REVISION 4	-
REVISION 5	-

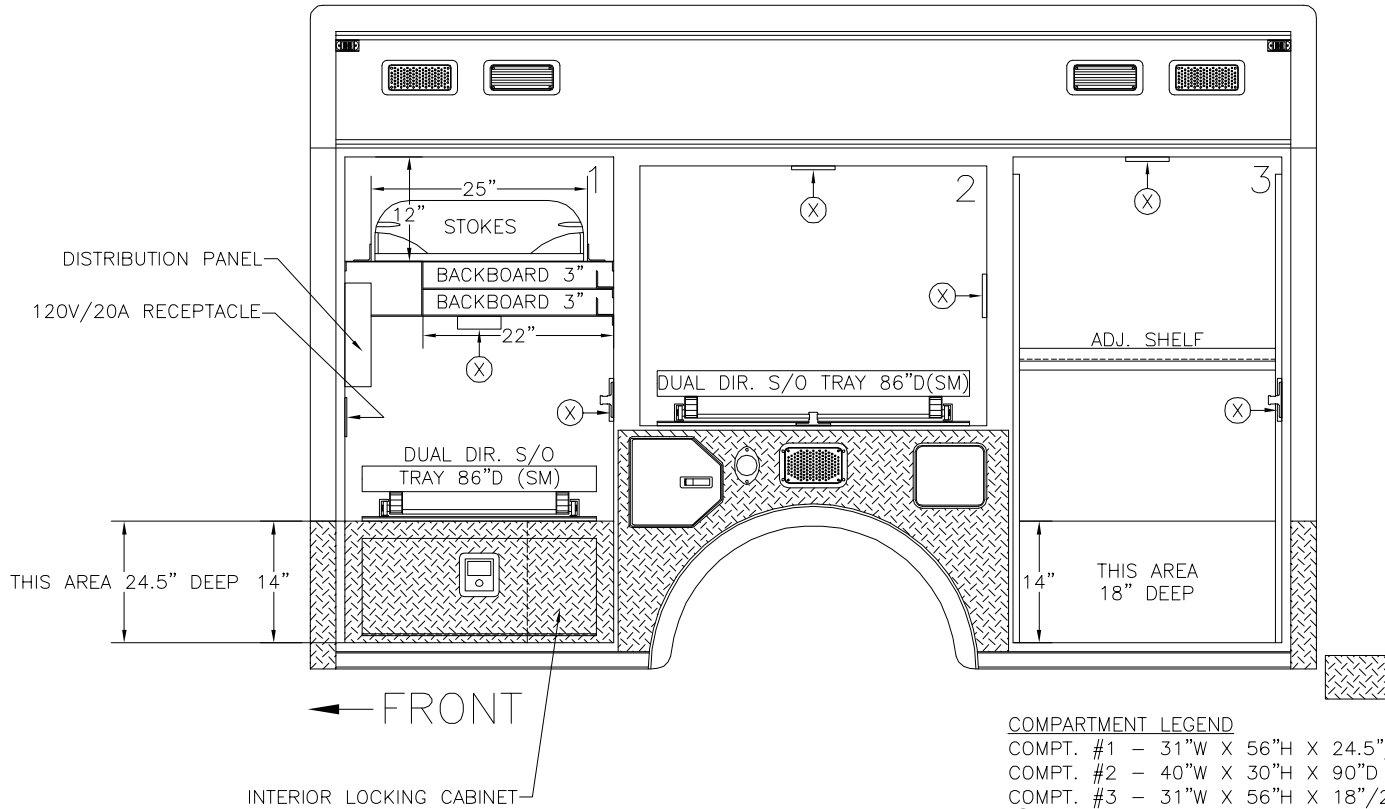


Rear View

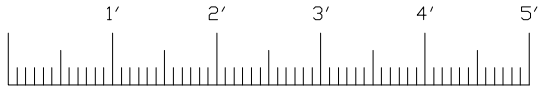
THESE DESIGN/ENGINEERING DRAWING(S) ARE THE PROPERTY OF EMERGENCY VEHICLES, INC. THEY ARE PROPRIETARY, AND ARE FOR THE EXCLUSIVE USE OF YOUR ENTITY. ANY DIVULGING OF THIS DATA TO A THIRD PARTY IS PROHIBITED.

[Signature] DATE: 12/07/07

REVISION 1	NS - 04/07/08
REVISION 2	NS - 05/05/08
REVISION 3	-
REVISION 4	-
REVISION 5	-



- COMPARTMENT LEGEND**
 COMPT. #1 - 31"W X 56"H X 24.5"/90"D
 COMPT. #2 - 40"W X 30"H X 90"D
 COMPT. #3 - 31"W X 56"H X 18"/22"D
 (X) - 5" RECESSED COMPARTMENT LIGHTS

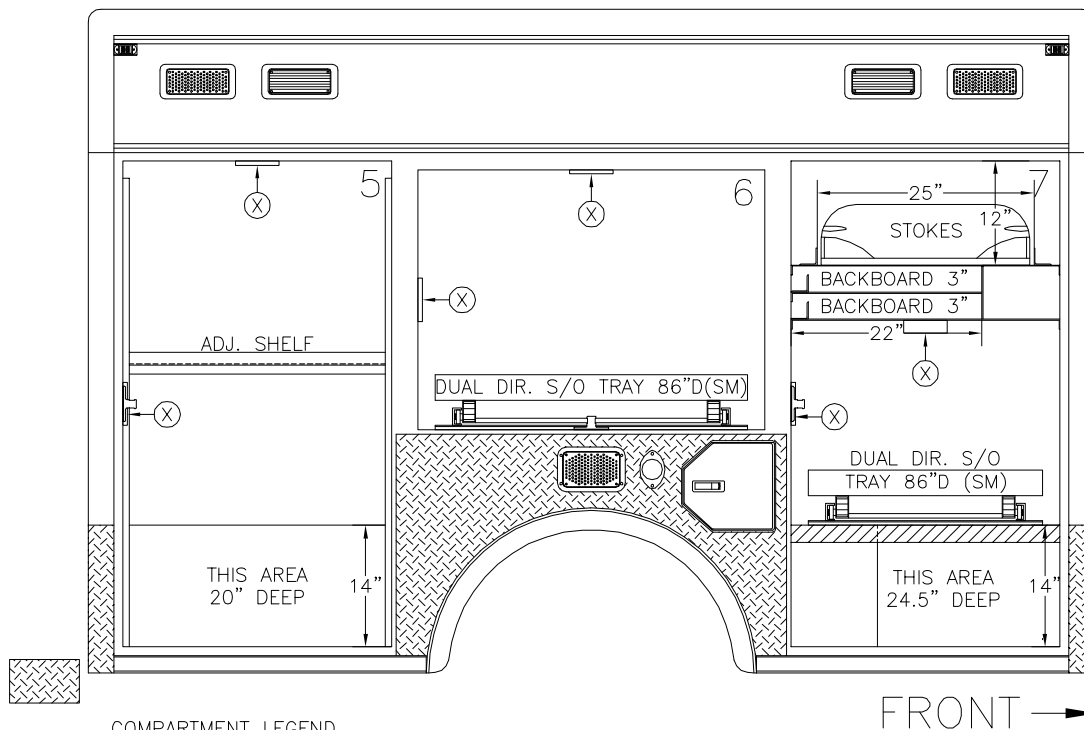


Streetside Body

THESE DESIGN/ENGINEERING DRAWING(S) ARE THE PROPERTY OF EMERGENCY VEHICLES, INC. THEY ARE PROPRIETARY, AND ARE FOR THE EXCLUSIVE USE OF YOUR ENTITY. ANY DIVULGING OF THIS DATA TO A THIRD PARTY IS PROHIBITED.

E. J. ... DATE: 12/07/07

REVISION 1	NS - 04/07/08
REVISION 2	NS - 05/05/08
REVISION 3	-
REVISION 4	-
REVISION 5	-



COMPARTMENT LEGEND

- COMPT. #5 - 31"W X 56"H X 18"/22"D
- COMPT. #6 - 40"W X 30"H X 90"D
- COMPT. #7 - 31"W X 56"H X 24.5"/90"D
- (X) - 5" RECESSED COMPARTMENT LIGHTS

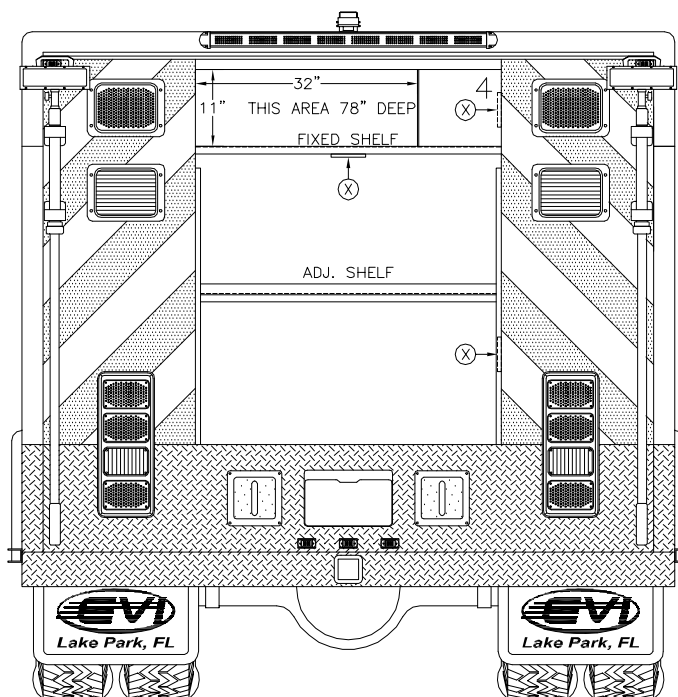


Curbside Body

THESE DESIGN/ENGINEERING DRAWING(S) ARE THE PROPERTY OF EMERGENCY VEHICLES, INC. THEY ARE PROPRIETARY, AND ARE FOR THE EXCLUSIVE USE OF YOUR ENTITY. ANY DIVULGING OF THIS DATA TO A THIRD PARTY IS PROHIBITED.

E. James DATE: 12/07/07


REVISION 1	NS - 04/07/08
REVISION 2	NS - 05/05/08
REVISION 3	-
REVISION 4	-
REVISION 5	-

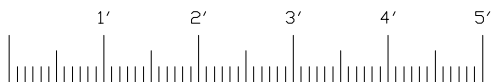
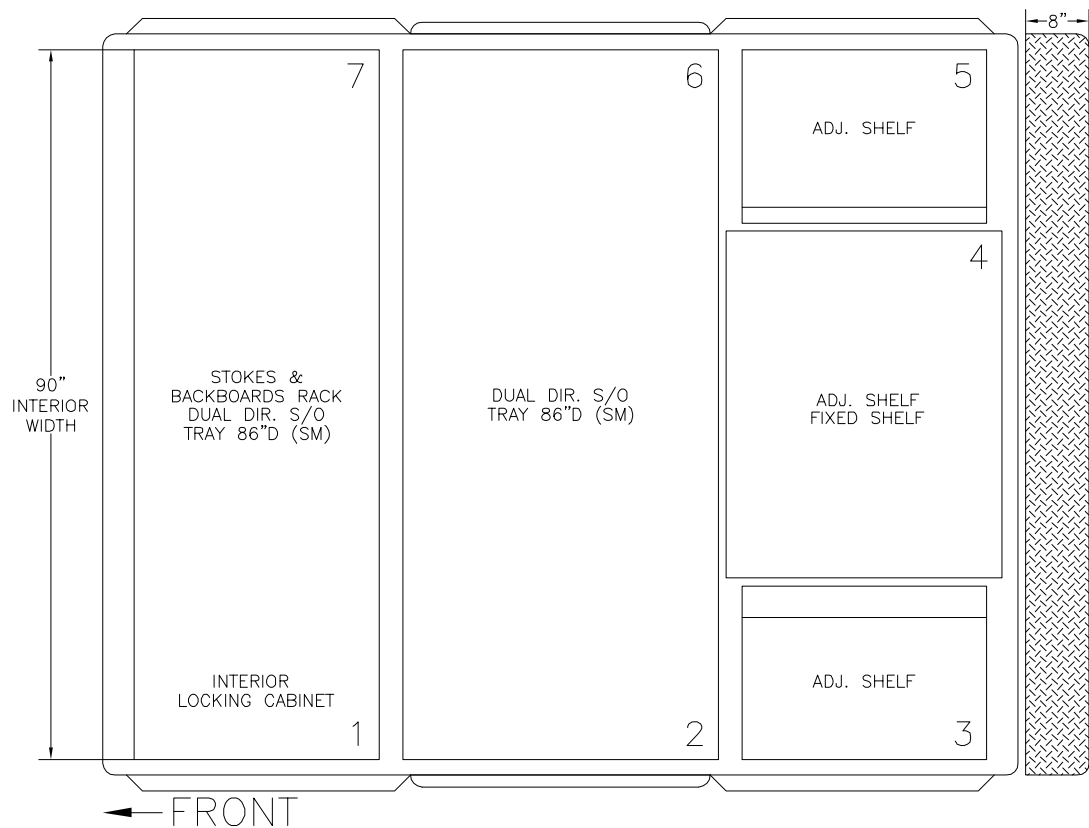


COMPARTMENT LEGEND
 COMPT. #4 - 44"W X 54"H X 35"/78"D
 ⊗ - 5" RECESSED COMPARTMENT LIGHTS

Rear Open View

THESE DESIGN/ENGINEERING DRAWING(S) ARE THE PROPERTY OF EMERGENCY VEHICLES, INC. THEY ARE PROPRIETARY, AND ARE FOR THE EXCLUSIVE USE OF YOUR ENTITY. ANY DIVULGING OF THIS DATA TO A THIRD PARTY IS PROHIBITED.

		DATE: 12/07/07
REVISION 1	NS	04/07/08
REVISION 2	NS	05/05/08
REVISION 3	-	-
REVISION 4	-	-
REVISION 5	-	-

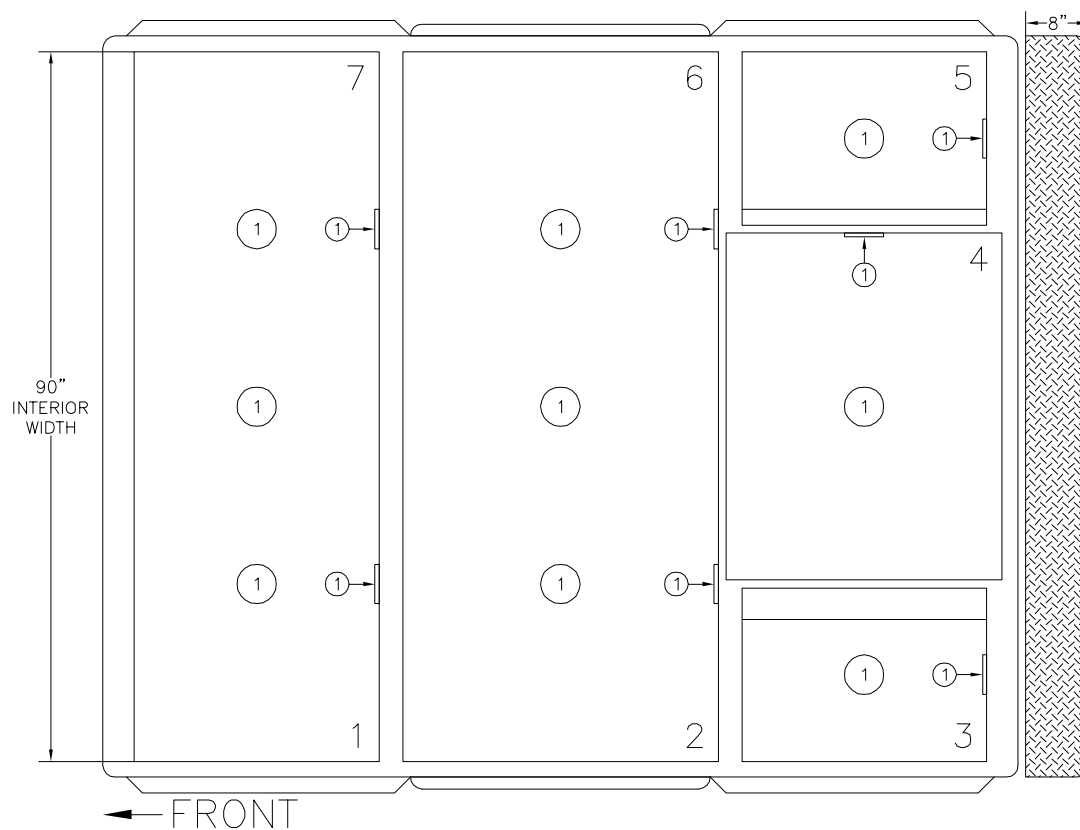


Body Planview

THESE DESIGN/ENGINEERING DRAWING(S) ARE THE PROPERTY OF EMERGENCY VEHICLES, INC. THEY ARE PROPRIETARY, AND ARE FOR THE EXCLUSIVE USE OF YOUR ENTITY. ANY DIVULGING OF THIS DATA TO A THIRD PARTY IS PROHIBITED.

[Signature] DATE: 12/07/07

REVISION 1	NS - 04/07/08
REVISION 2	NS - 05/05/08
REVISION 3	-
REVISION 4	-
REVISION 5	-



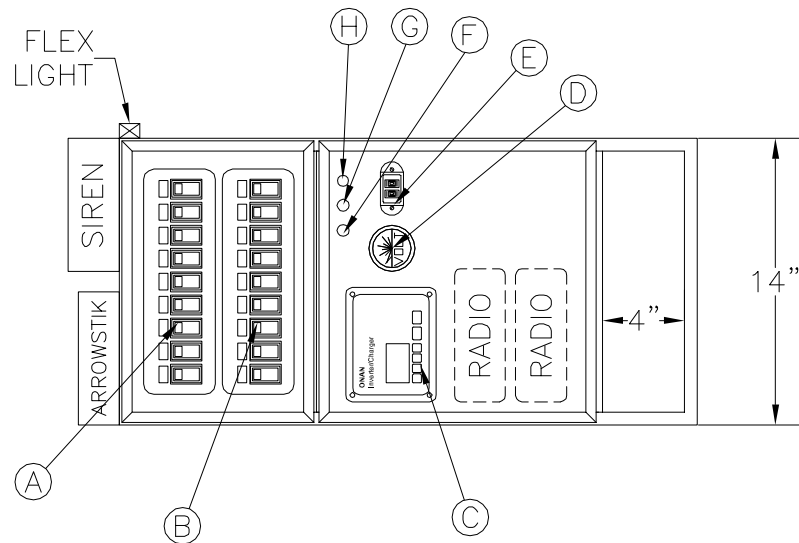
CEILING LEGEND
1 - 5" RECESSED COMPARTMENT LIGHTS



Ceiling Planview

THESE DESIGN/ENGINEERING DRAWING(S) ARE THE PROPERTY OF EMERGENCY VEHICLES, INC. THEY ARE PROPRIETARY, AND ARE FOR THE EXCLUSIVE USE OF YOUR ENTITY. ANY DIVULGING OF THIS DATA TO A THIRD PARTY IS PROHIBITED.

		DATE: 12/07/07
REVISION 1	NS	- 04/07/08
REVISION 2	NS	- 05/05/08
REVISION 3	-	-
REVISION 4	-	-
REVISION 5	-	-



CONSTRUCTION: 1/2" PLYWOOD W/ MICA FINISH

A – SWITCH BANK

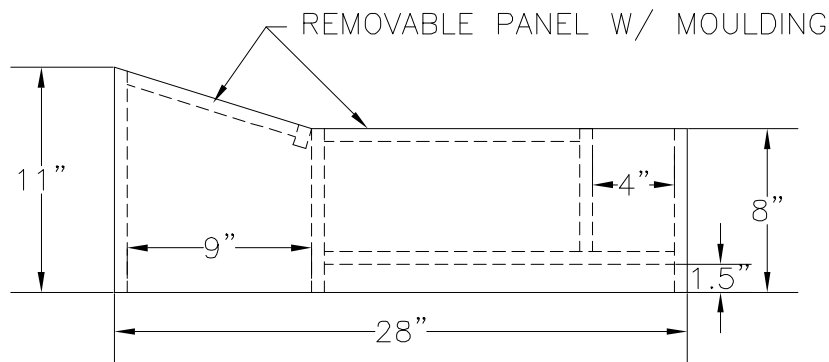
- 1 – MASTER
- 2 – RESPONSE (headlight flasher)
- 3 – LIGHT BAR
- 4 – FRONT/SIDE WARNING LIGHTS – LED
- 5 – REAR WARNING LIGHTS – LED
- 6 – SIREN BRAKE
- 7 – LOAD MANAGER
- 8 – THROTTLE
- 9 – SPARE

B – SWITCH BANK

- 1 – QUARTZ LIGHTS UP LIGHT (BLUE)
- 2 – LEFT FRONT QUARTZ LIGHT
- 3 – RIGHT FRONT QUARTZ LIGHT
- 4 – LEFT REAR QUARTZ LIGHT
- 5 – RIGHT REAR QUARTZ LIGHT
- 6 – LEFT SCENE LIGHTS
- 7 – RIGHT SCENE LIGHTS
- 8 – REAR SCENE LIGHTS
- 9 – COMPT. LTS./GRND. LTS.

C – INVERTER PANEL

- D – VOLTMETER
- E – DOOR OPEN LIGHT
- F – LOW VOLTS
- G – MODULE POWER LIGHT
- H – CHASSIS POWER LIGHT



REVISIONS		
NO.	DATE	BY