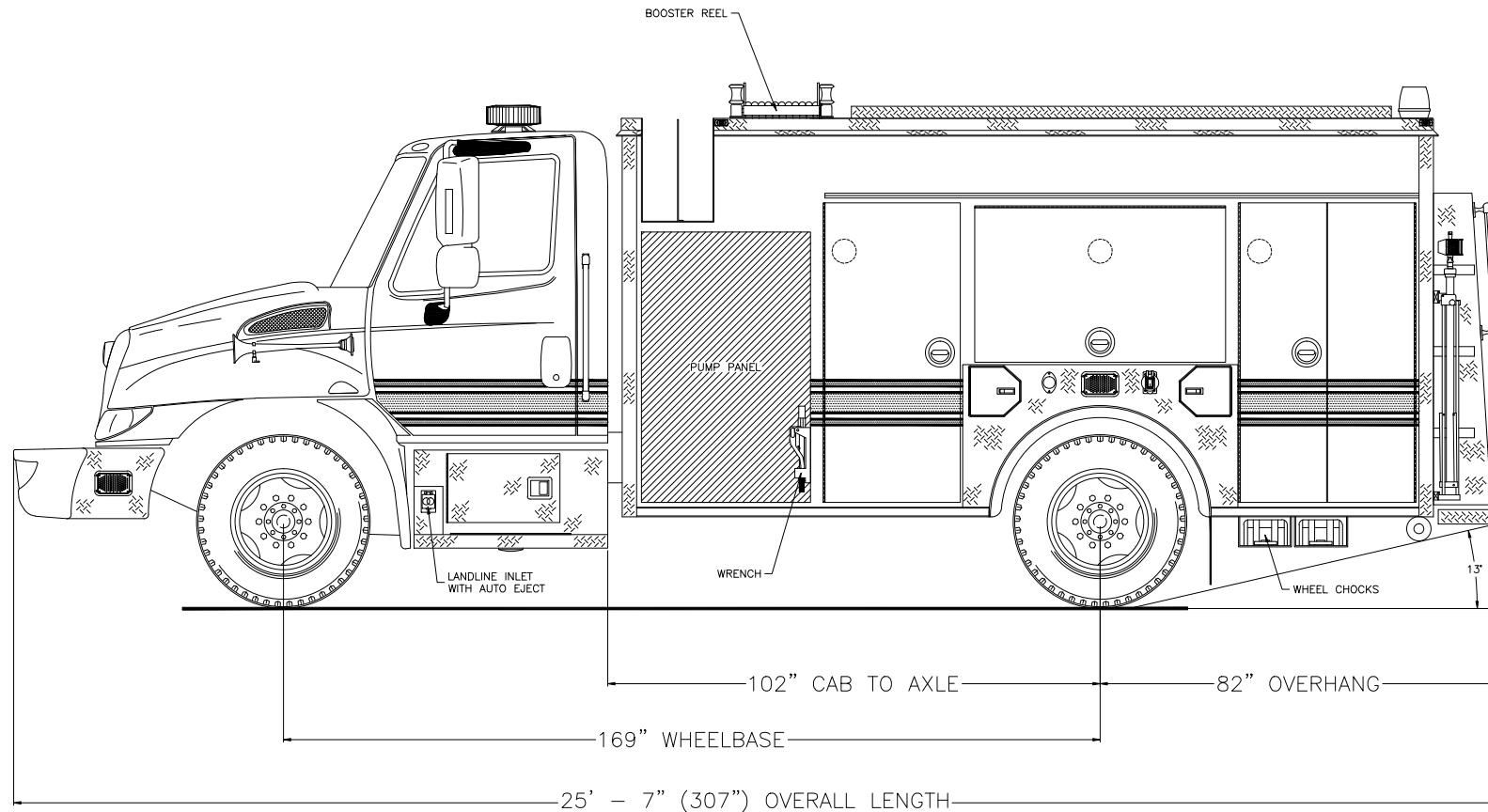


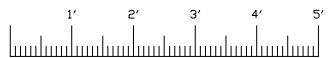
*08 EVI Pumper Demo
Lake Park, Florida*



THESE DESIGN/ENGINEERING DRAWING(S) ARE THE PROPERTY OF EMERGENCY VEHICLES, INC. THEY ARE PROPRIETARY, AND ARE FOR THE EXCLUSIVE USE OF YOUR ENTITY. ANY DIVULGING OF THIS DATA TO A THIRD PARTY IS PROHIBITED.

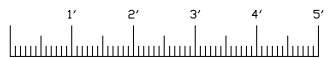
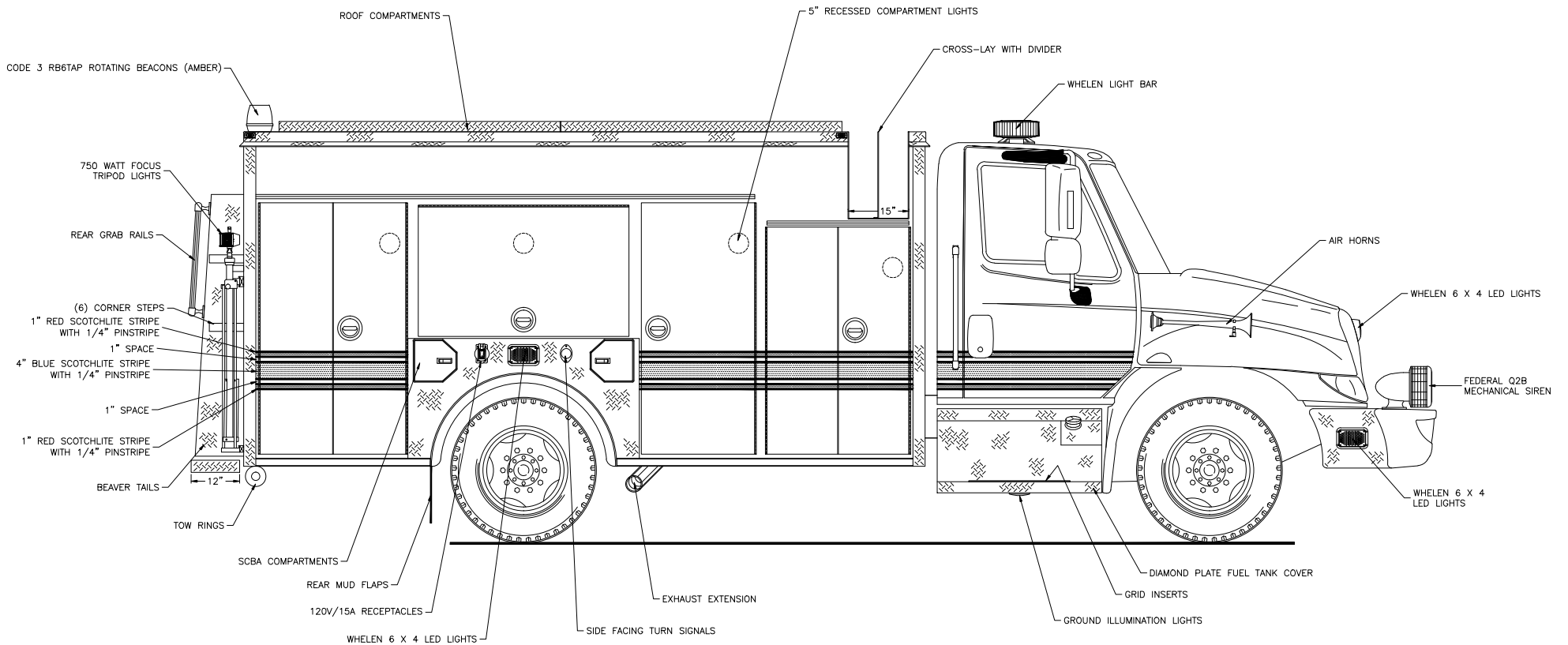
[Signature] DATE: 10/20/04

REVISION 1	-
REVISION 2	-
REVISION 3	-
REVISION 4	-
REVISION 5	-



Streetside Overall

08 EVI Pumper Demo Lake Park, Florida

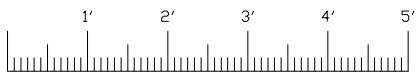
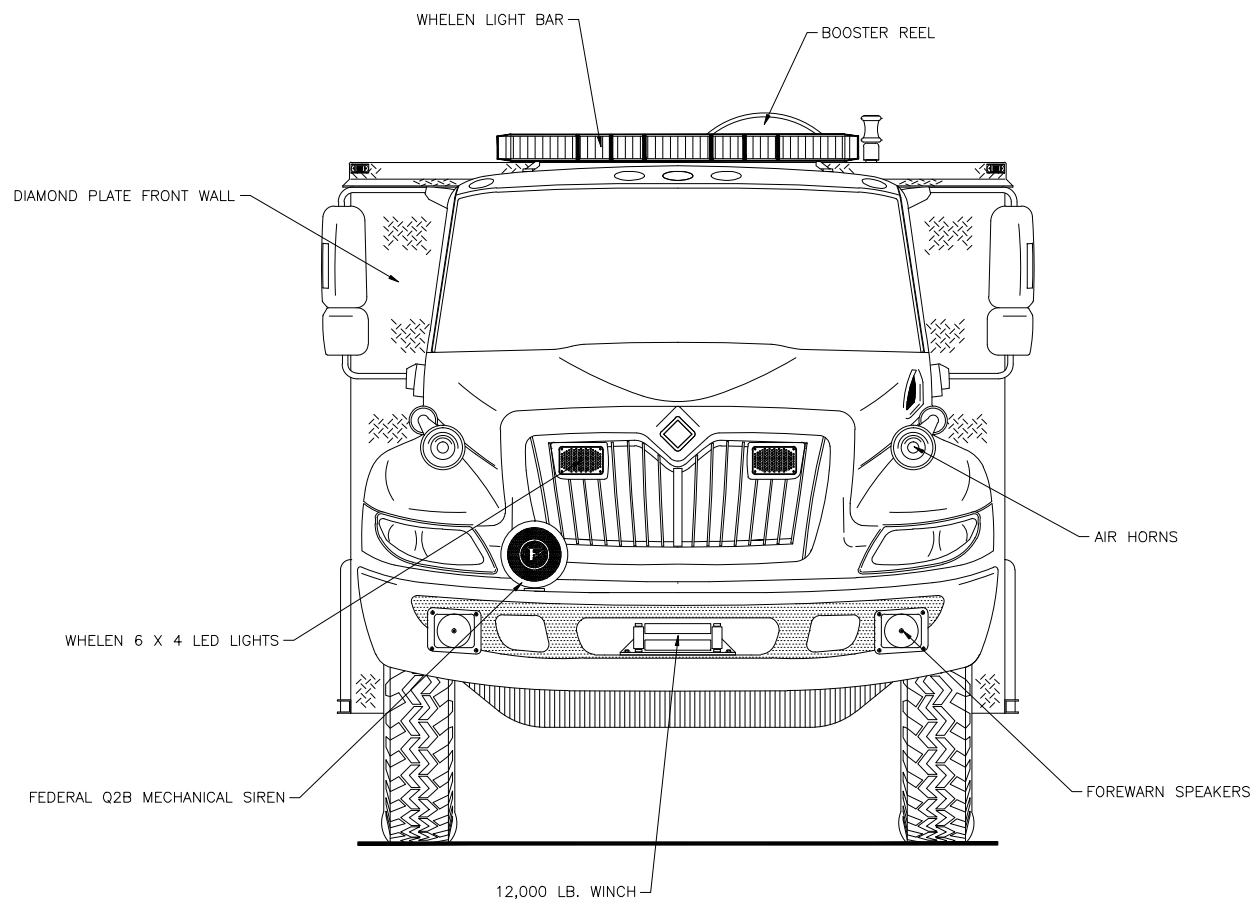


Curbside Overall

THESE DESIGN/ENGINEERING DRAWING(S) ARE THE PROPERTY OF EMERGENCY VEHICLES, INC. THEY ARE PROPRIETARY, AND ARE FOR THE EXCLUSIVE USE OF YOUR ENTITY. ANY DIVULGING OF THIS DATA TO A THIRD PARTY IS PROHIBITED.

DATE: 10/20/04

REVISION 1	-
REVISION 2	-
REVISION 3	-
REVISION 4	-
REVISION 5	-



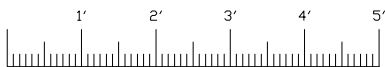
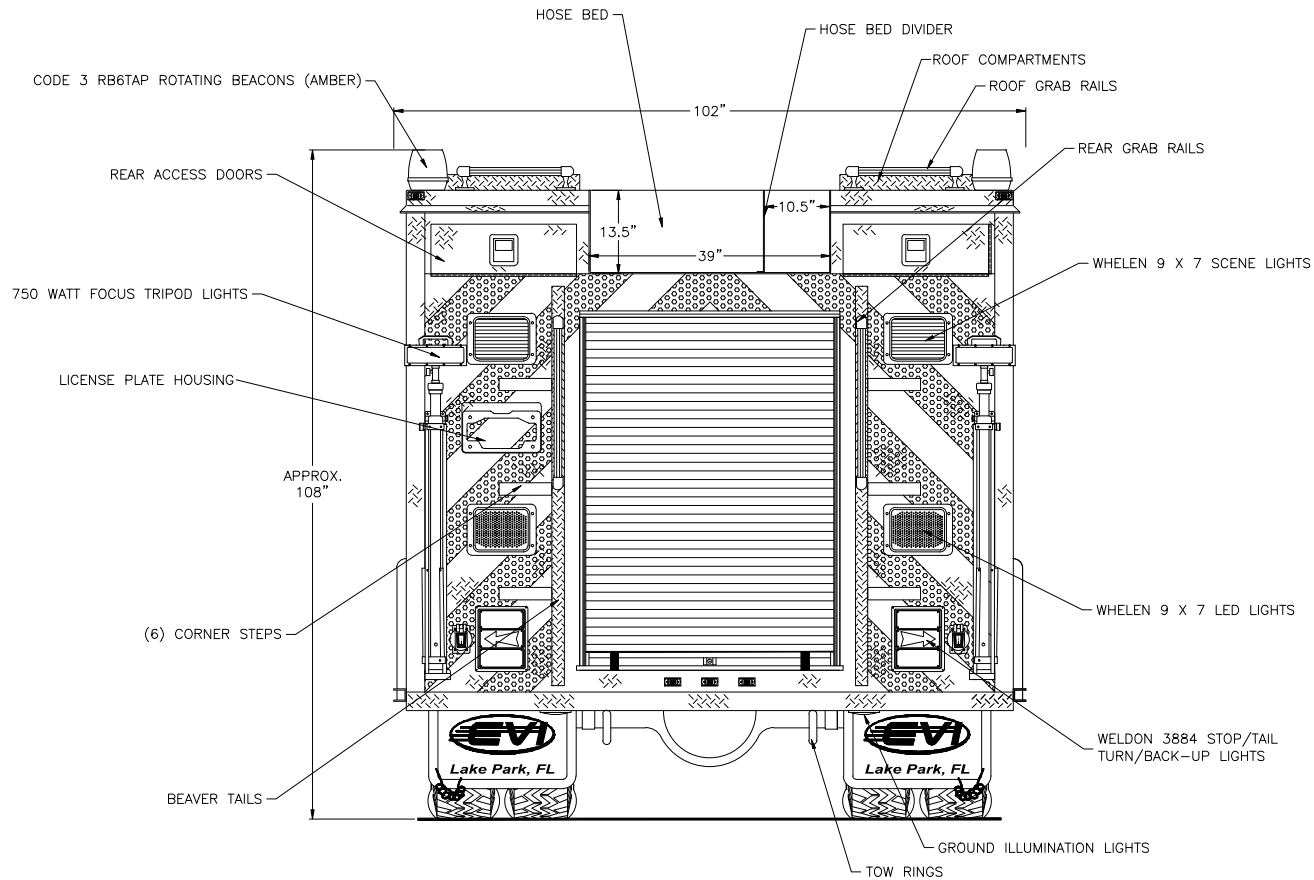
Front View

THESE DESIGN/ENGINEERING DRAWING(S) ARE THE PROPERTY OF EMERGENCY VEHICLES, INC. THEY ARE PROPRIETARY, AND ARE FOR THE EXCLUSIVE USE OF YOUR ENTITY. ANY DIVULGING OF THIS DATA TO A THIRD PARTY IS PROHIBITED.

[Signature] DATE: 10/20/04

REVISION 1	-
REVISION 2	-
REVISION 3	-
REVISION 4	-
REVISION 5	-

*EVI 14' Rescue Pumper
Lake Park, Florida*



Rear View

THESE DESIGN/ENGINEERING DRAWING(S) ARE THE PROPERTY OF EMERGENCY VEHICLES, INC. THEY ARE PROPRIETARY, AND ARE FOR THE EXCLUSIVE USE OF YOUR ENTITY. ANY DIVULGING OF THIS DATA TO A THIRD PARTY IS PROHIBITED.

DATE:	10/20/04
REVISION 1	NS - 04/25/08
REVISION 2	-
REVISION 3	-
REVISION 4	-
REVISION 5	-