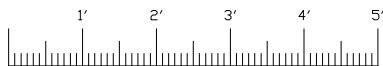
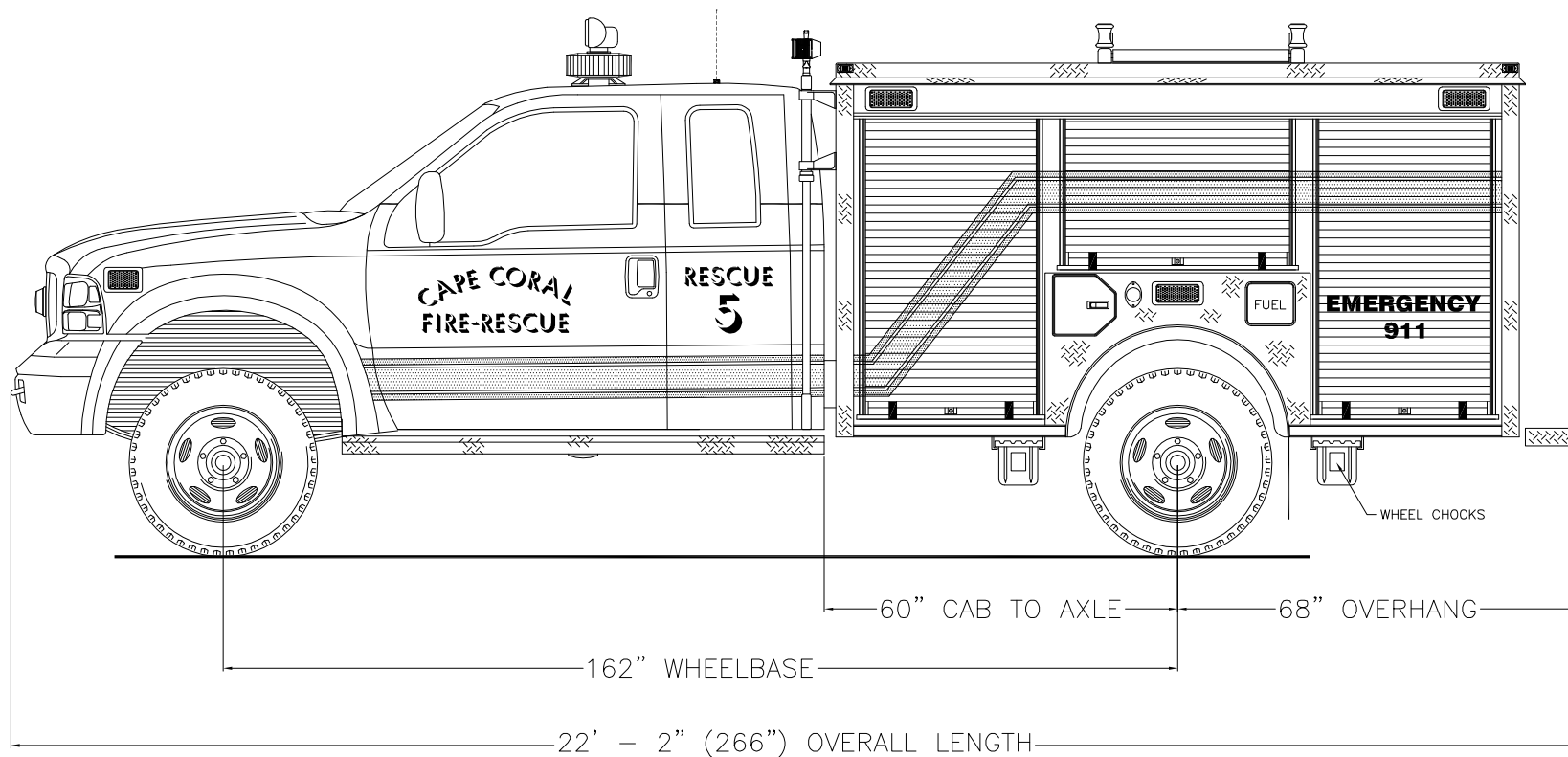


*EMERGENCY VEHICLES, INC.*

*Cape Coral Fire Rescue  
Cape Coral, Florida*



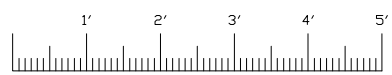
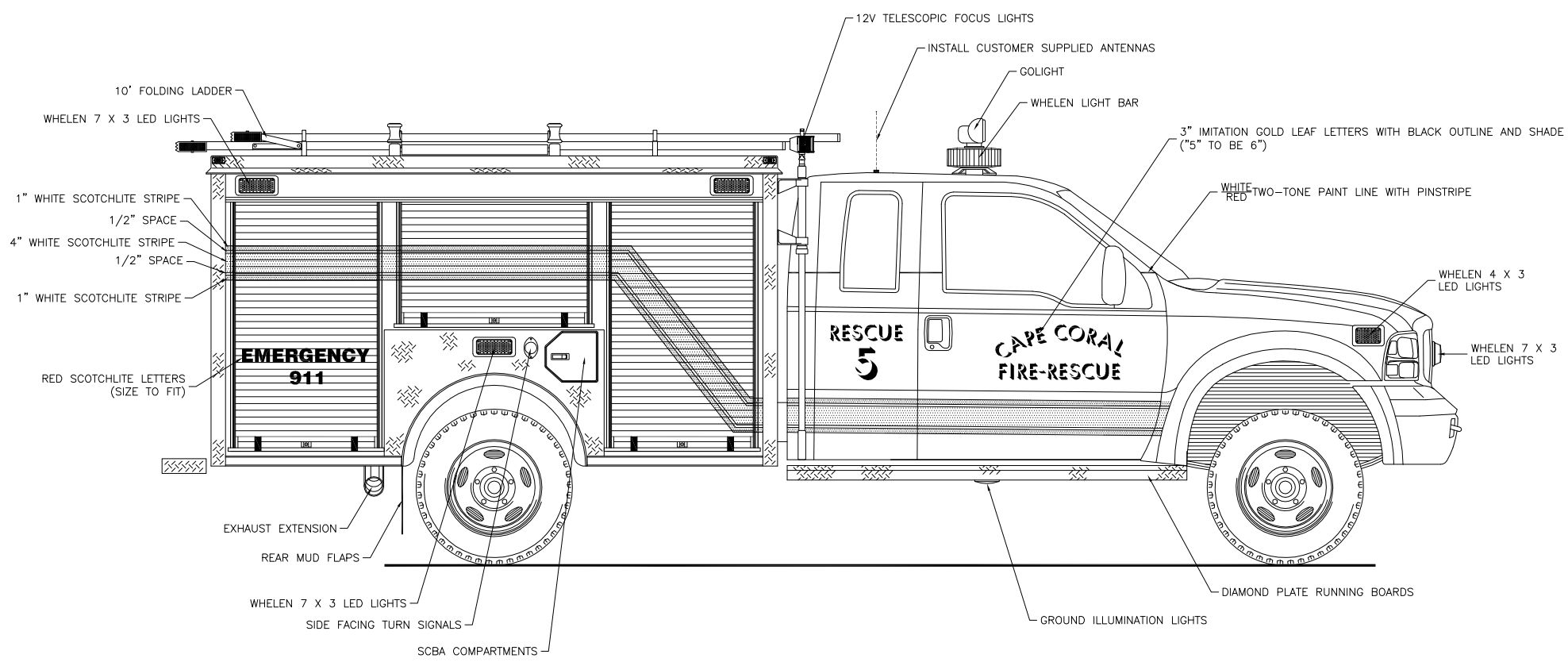
*Streetside Overall*

THESE DESIGN/ENGINEERING DRAWING(S) ARE THE PROPERTY OF EMERGENCY VEHICLES, INC. THEY ARE PROPRIETARY, AND ARE FOR THE EXCLUSIVE USE OF YOUR ENTITY. ANY DIVULGING OF THIS DATA TO A THIRD PARTY IS PROHIBITED.

*[Signature]* DATE: 11/16/04

REVISION 1	NS - 03/29/05
REVISION 2	-
REVISION 3	-
REVISION 4	-
REVISION 5	-

*Cape Coral Fire Rescue  
Cape Coral, Florida*

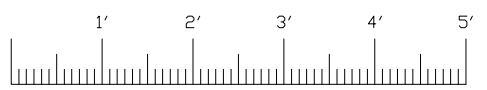
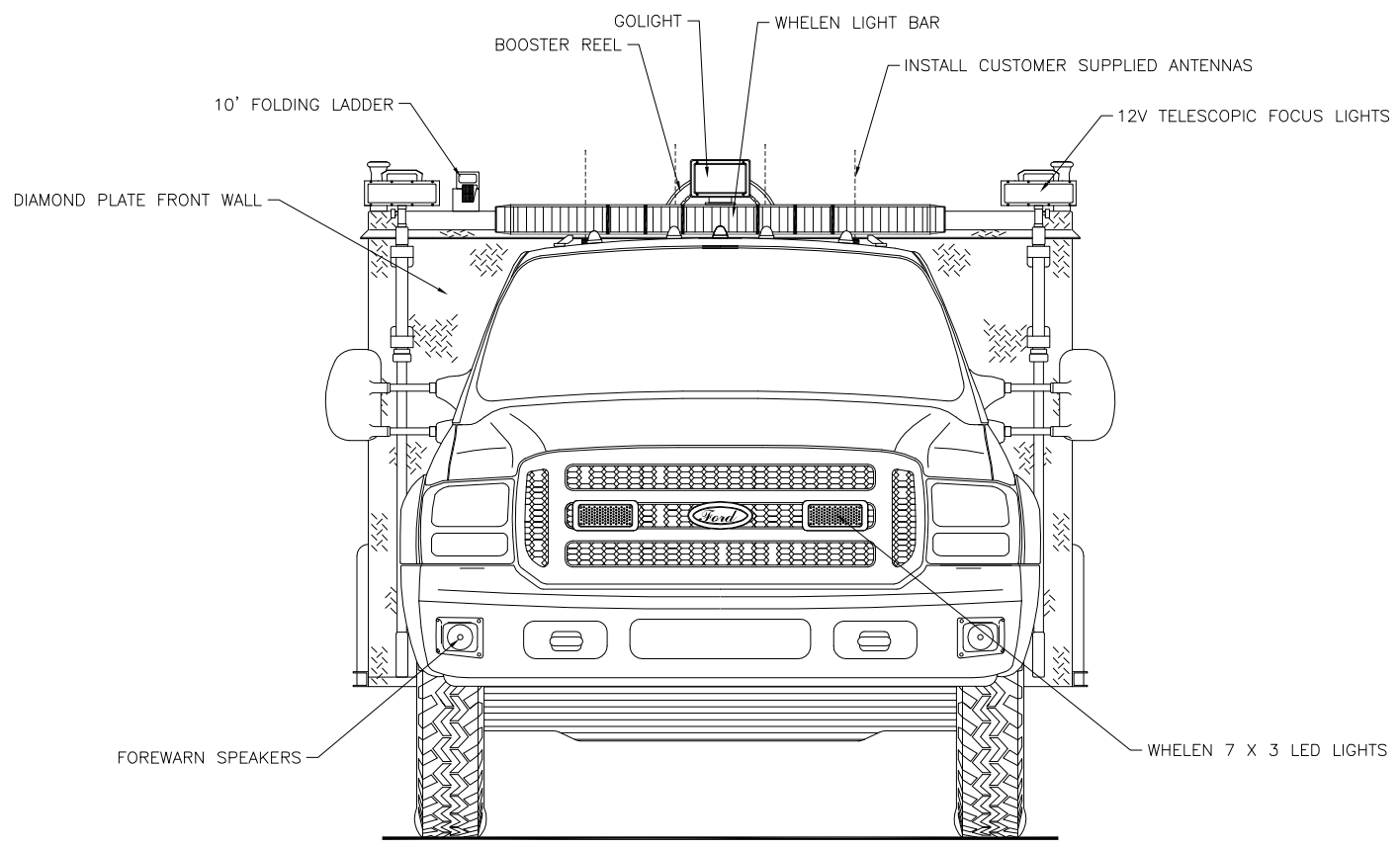


*Curbside Overall*

THESE DESIGN/ENGINEERING DRAWING(S) ARE THE PROPERTY OF EMERGENCY VEHICLES, INC. THEY ARE PROPRIETARY, AND ARE FOR THE EXCLUSIVE USE OF YOUR ENTITY. ANY DIVULGING OF THIS DATA TO A THIRD PARTY IS PROHIBITED.

*[Signature]* DATE: 11/16/04

REVISION 1	NS - 03/29/05
REVISION 2	-
REVISION 3	-
REVISION 4	-
REVISION 5	-



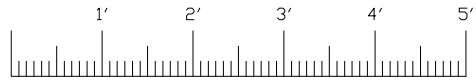
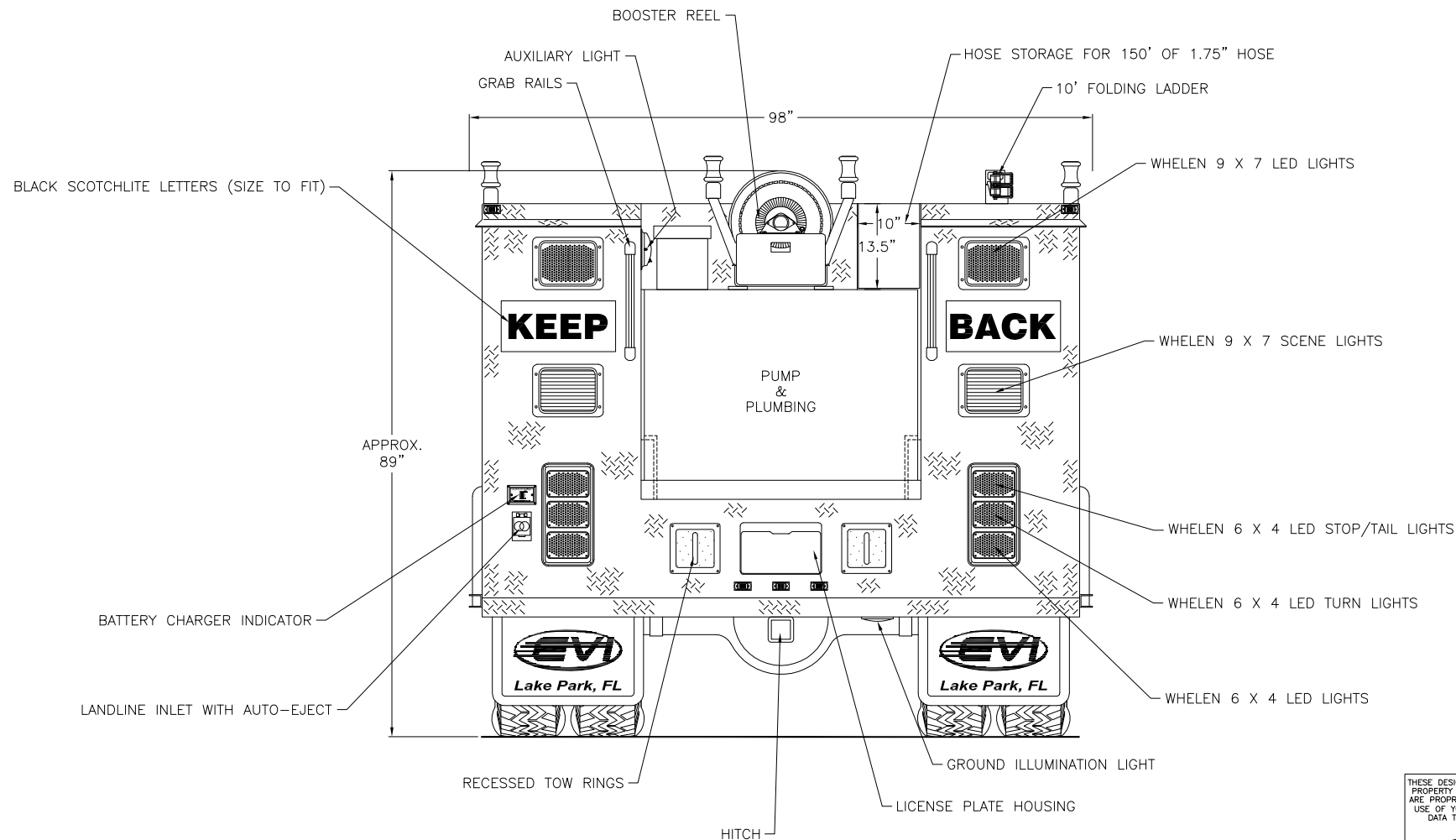
*Front View*

THESE DESIGN/ENGINEERING DRAWING(S) ARE THE PROPERTY OF EMERGENCY VEHICLES, INC. THEY ARE PROPRIETARY, AND ARE FOR THE EXCLUSIVE USE OF YOUR ENTITY. ANY DIVULGING OF THIS DATA TO A THIRD PARTY IS PROHIBITED.

*[Signature]* DATE: 11/16/04

REVISION 1	NS - 03/29/05
REVISION 2	-
REVISION 3	-
REVISION 4	-
REVISION 5	-

*Cape Coral Fire Rescue  
Cape Coral, Florida*



*Rear View*

THESE DESIGN/ENGINEERING DRAWING(S) ARE THE PROPERTY OF EMERGENCY VEHICLES, INC. THEY ARE PROPRIETARY, AND ARE FOR THE EXCLUSIVE USE OF YOUR ENTITY. ANY DIVULGING OF THIS DATA TO A THIRD PARTY IS PROHIBITED.

*[Signature]* DATE: 11/16/04

REVISION 1	NS - 03/29/05
REVISION 2	-
REVISION 3	-
REVISION 4	-
REVISION 5	-