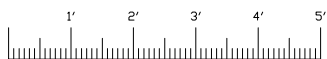
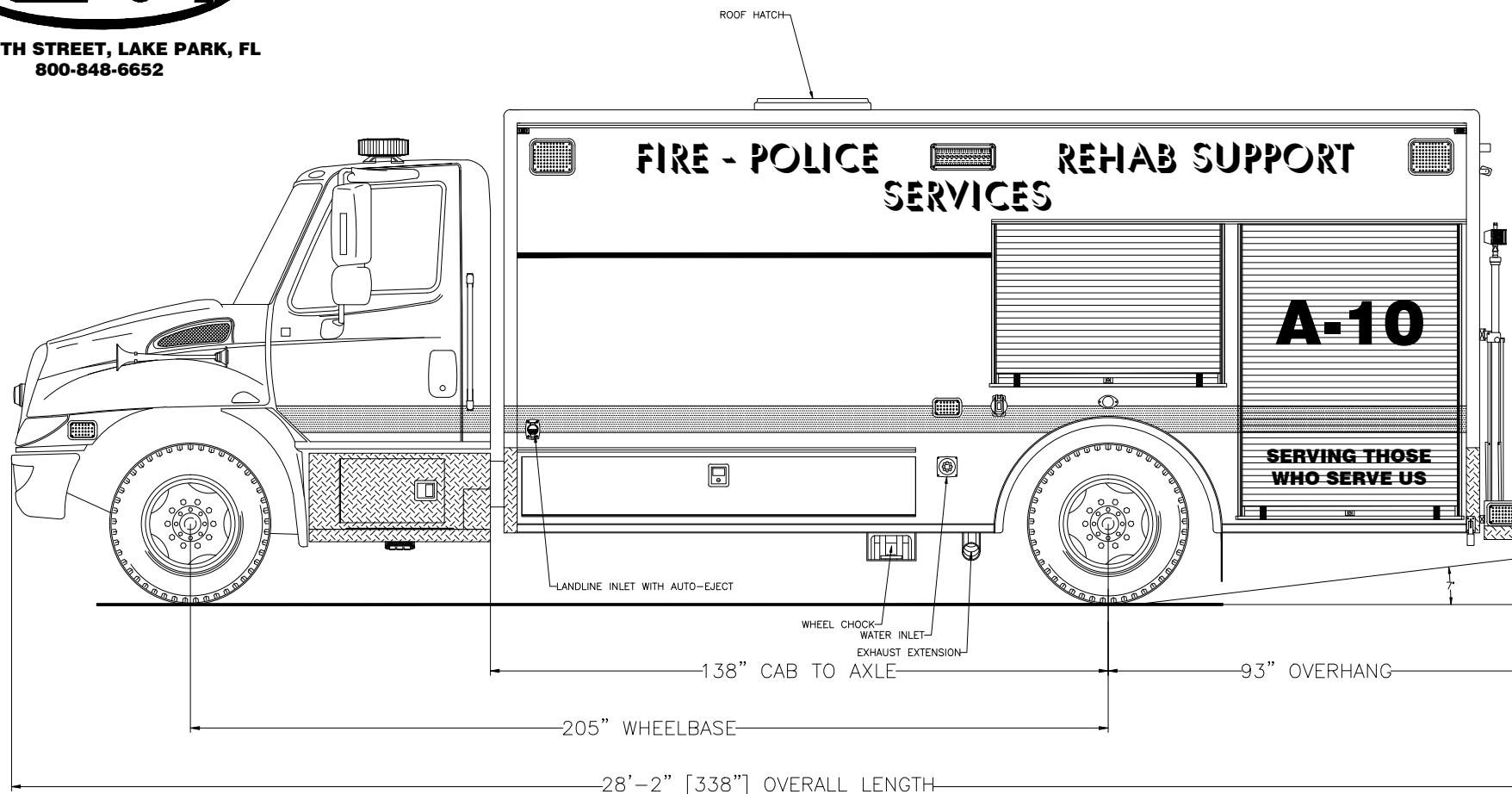




705 13TH STREET, LAKE PARK, FL
800-848-6652

Boston Sparks



Streetside Overall

THESE DESIGN/ENGINEERING DRAWING(S) ARE THE PROPERTY OF EMERGENCY VEHICLES, INC. THEY ARE PROPRIETARY, AND ARE FOR THE EXCLUSIVE USE OF YOUR ENTITY. ANY DIVULGING OF THIS DATA TO A THIRD PARTY IS PROHIBITED.

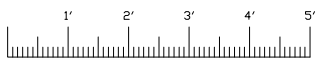
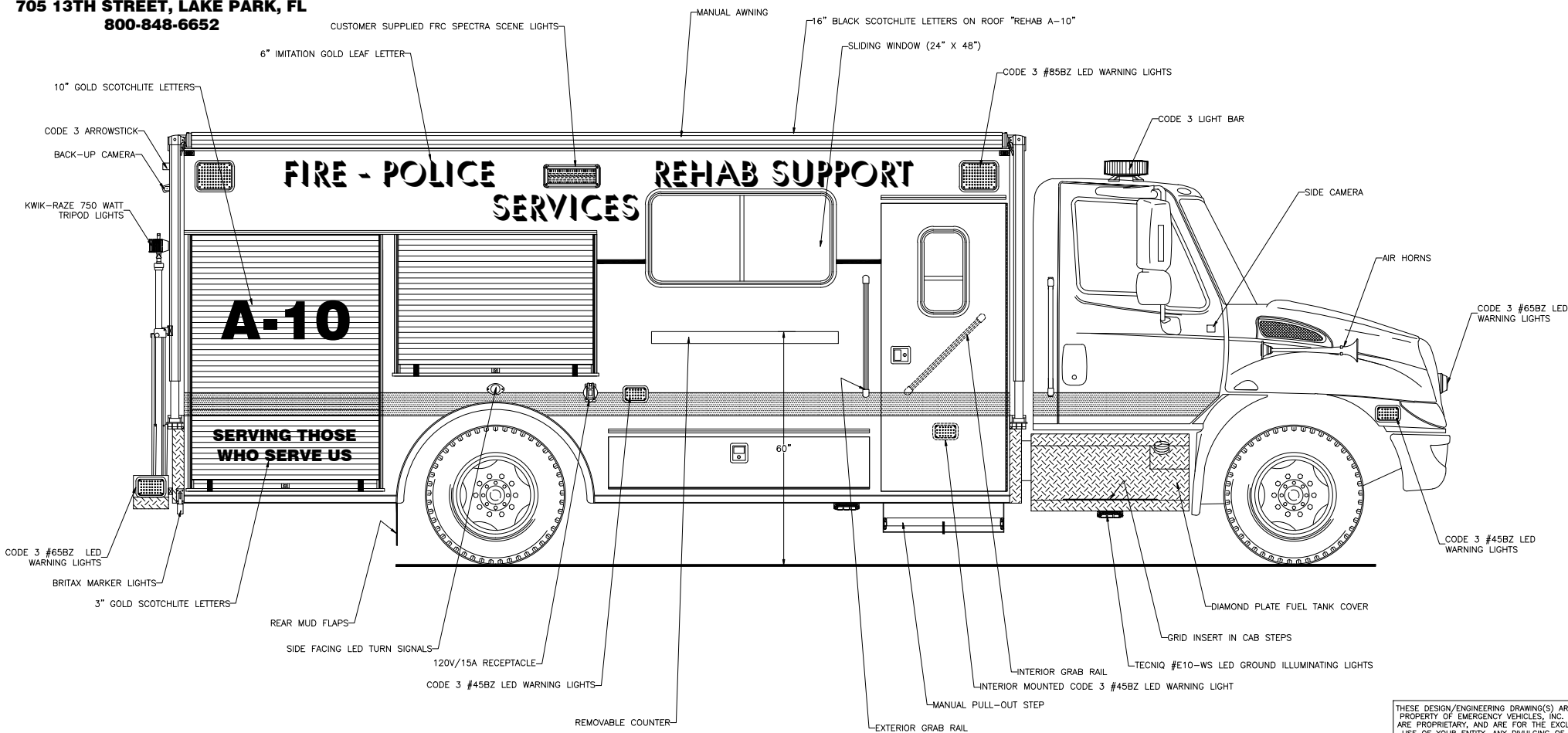
E. J. ... DATE: 09/08/14

REVISION 1	ACS - 09/16/14
REVISION 2	NS - 10/17/14
REVISION 3	-
REVISION 4	-
REVISION 5	-



705 13TH STREET, LAKE PARK, FL
800-848-6652

Boston Sparks



Curbside Overall

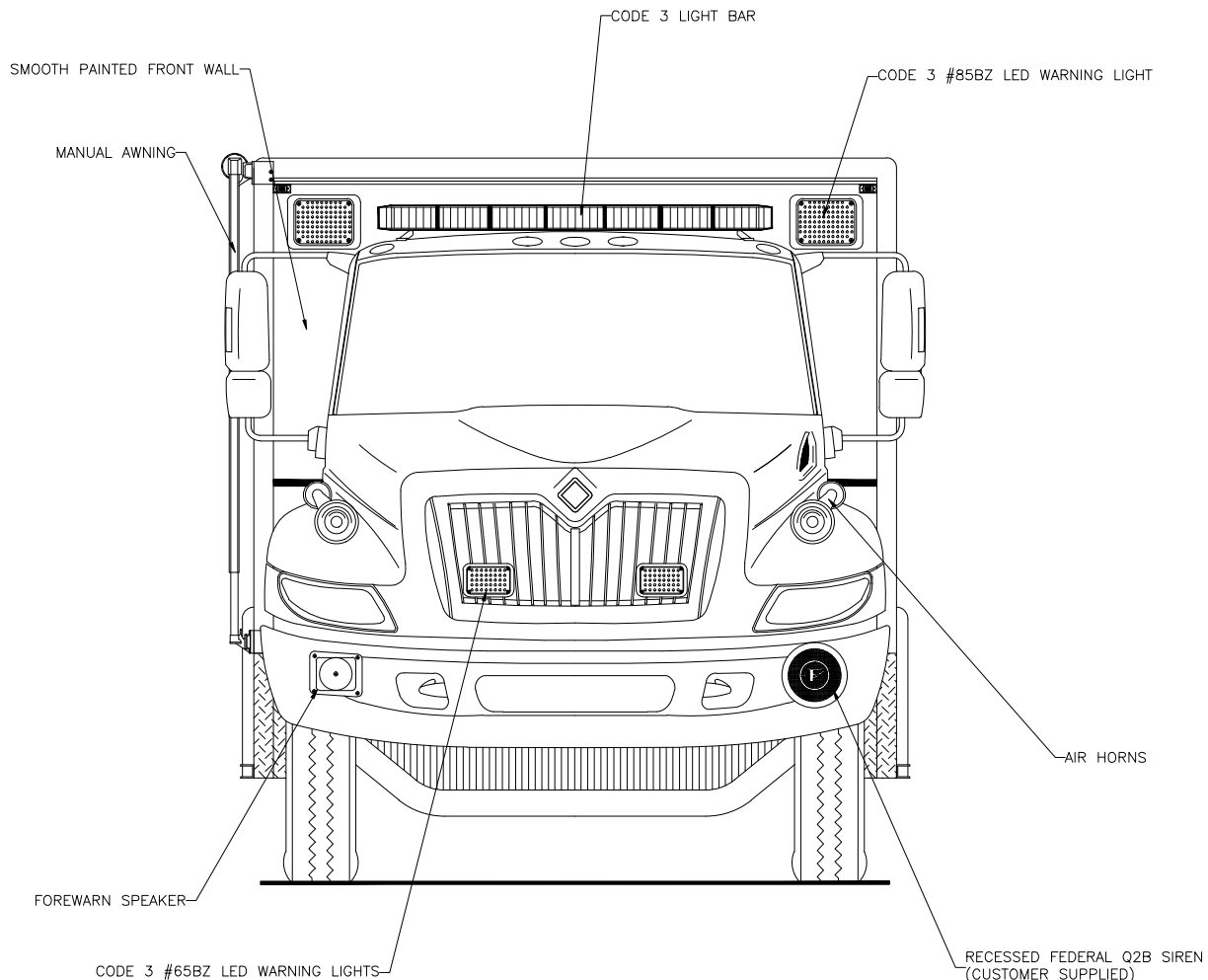
THESE DESIGN/ENGINEERING DRAWING(S) ARE THE PROPERTY OF EMERGENCY VEHICLES, INC. THEY ARE PROPRIETARY, AND ARE FOR THE EXCLUSIVE USE OF YOUR ENTITY. ANY DIVULGING OF THIS DATA TO A THIRD PARTY IS PROHIBITED.

		DATE: 09/08/14
REVISION 1	ACS	09/16/14
REVISION 2	NS	10/17/14
REVISION 3	-	-
REVISION 4	-	-
REVISION 5	-	-



705 13TH STREET, LAKE PARK, FL
800-848-6652

Boston Sparks



Front View

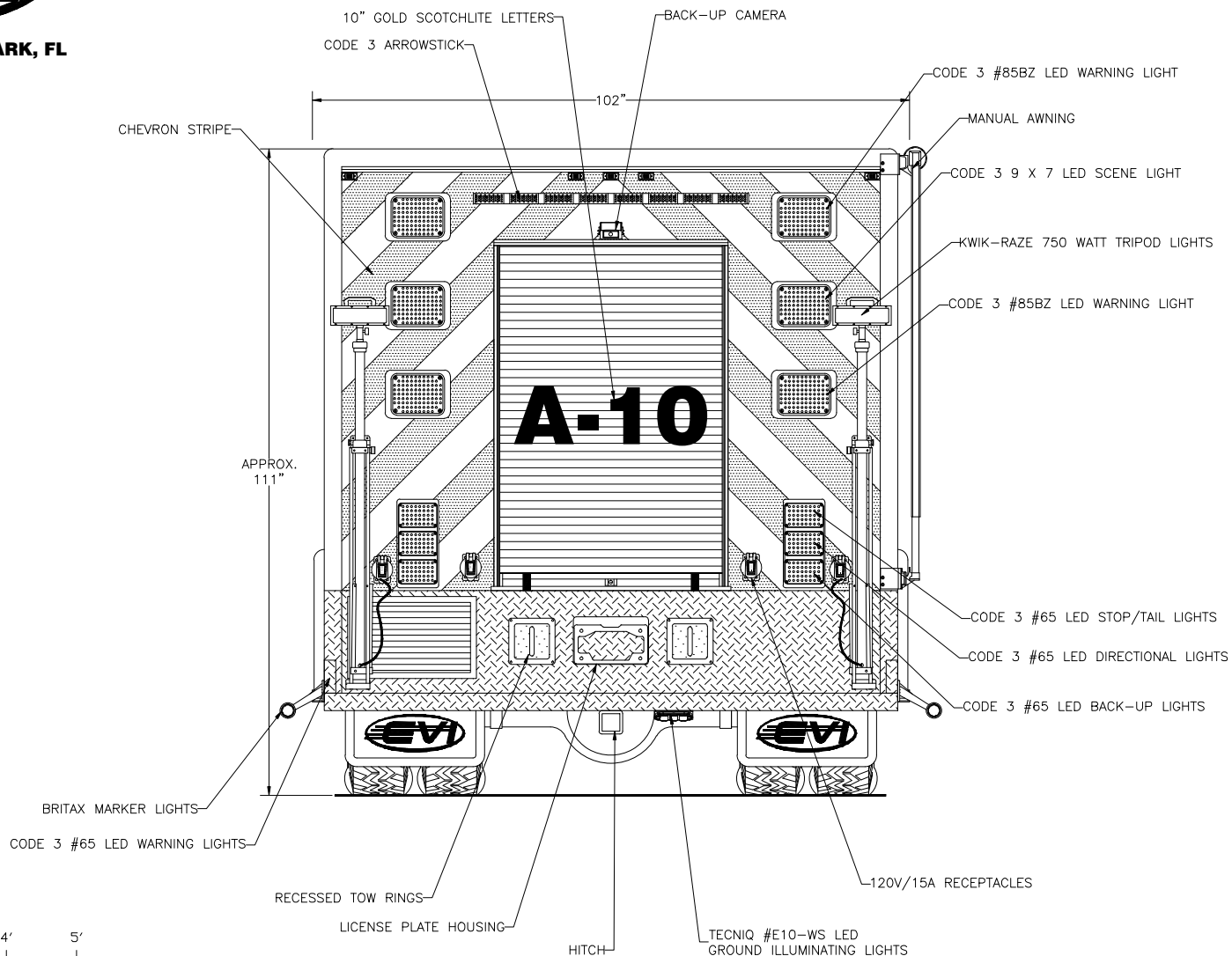
THESE DESIGN/ENGINEERING DRAWING(S) ARE THE PROPERTY OF EMERGENCY VEHICLES, INC. THEY ARE PROPRIETARY, AND ARE FOR THE EXCLUSIVE USE OF YOUR ENTITY. ANY DIVULGING OF THIS DATA TO A THIRD PARTY IS PROHIBITED.

		DATE: 09/08/14
REVISION 1	ACS	09/16/14
REVISION 2	NS	10/17/14
REVISION 3	-	-
REVISION 4	-	-
REVISION 5	-	-



705 13TH STREET, LAKE PARK, FL
800-848-6652

Boston Sparks



Rear View

THESE DESIGN/ENGINEERING DRAWING(S) ARE THE PROPERTY OF EMERGENCY VEHICLES, INC. THEY ARE PROPRIETARY, AND ARE FOR THE EXCLUSIVE USE OF YOUR ENTITY. ANY DIVULGING OF THIS DATA TO A THIRD PARTY IS PROHIBITED.

		DATE: 09/08/14
REVISION 1	ACS	09/16/14
REVISION 2	NS	10/17/14
REVISION 3	-	-
REVISION 4	-	-
REVISION 5	-	-