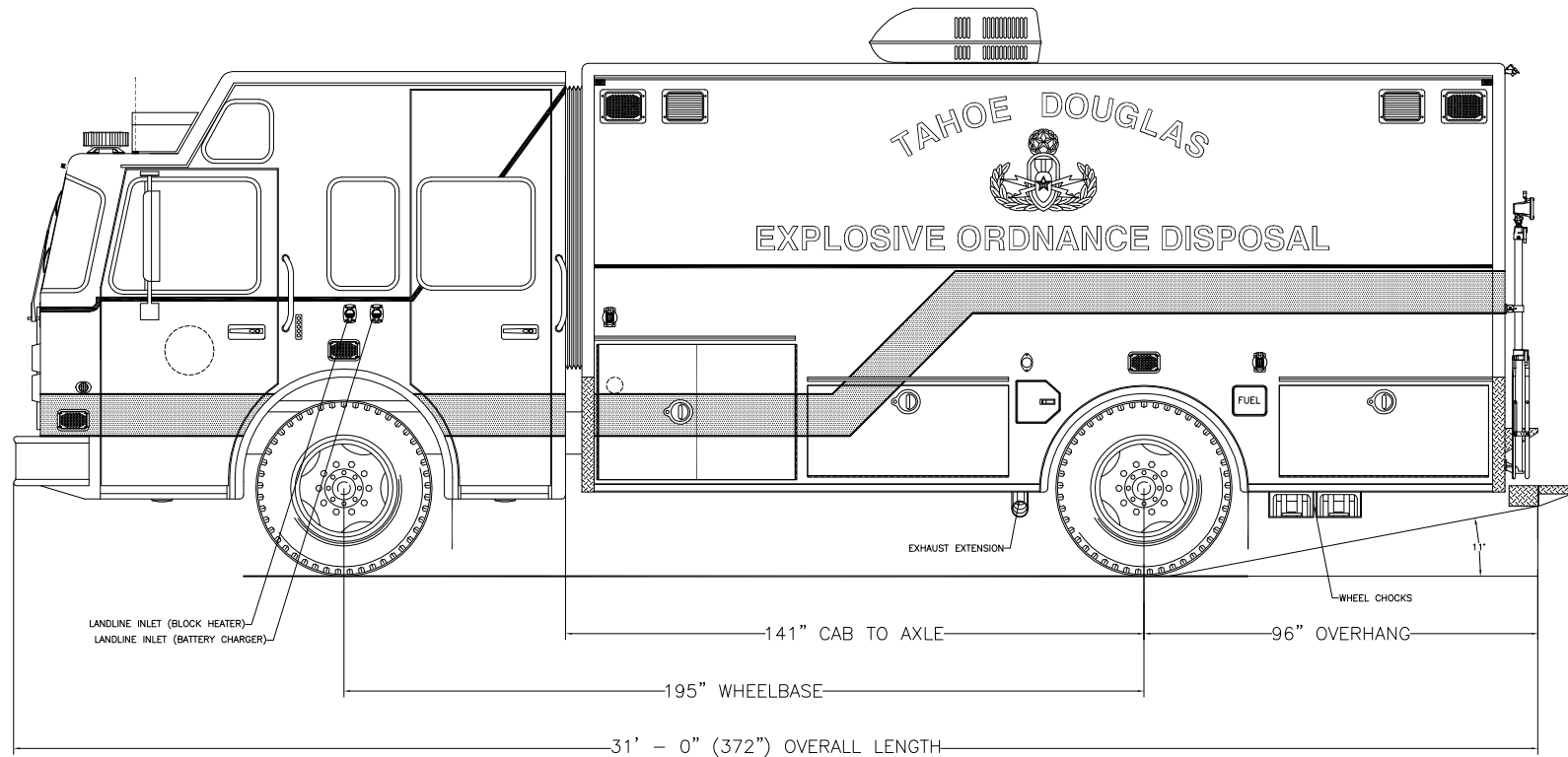


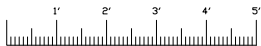
EMERGENCY VEHICLES, INC.

*Tahoe Douglas Fire Protection District
Zephyr Cove, Nevada*



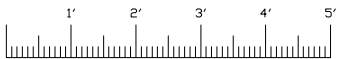
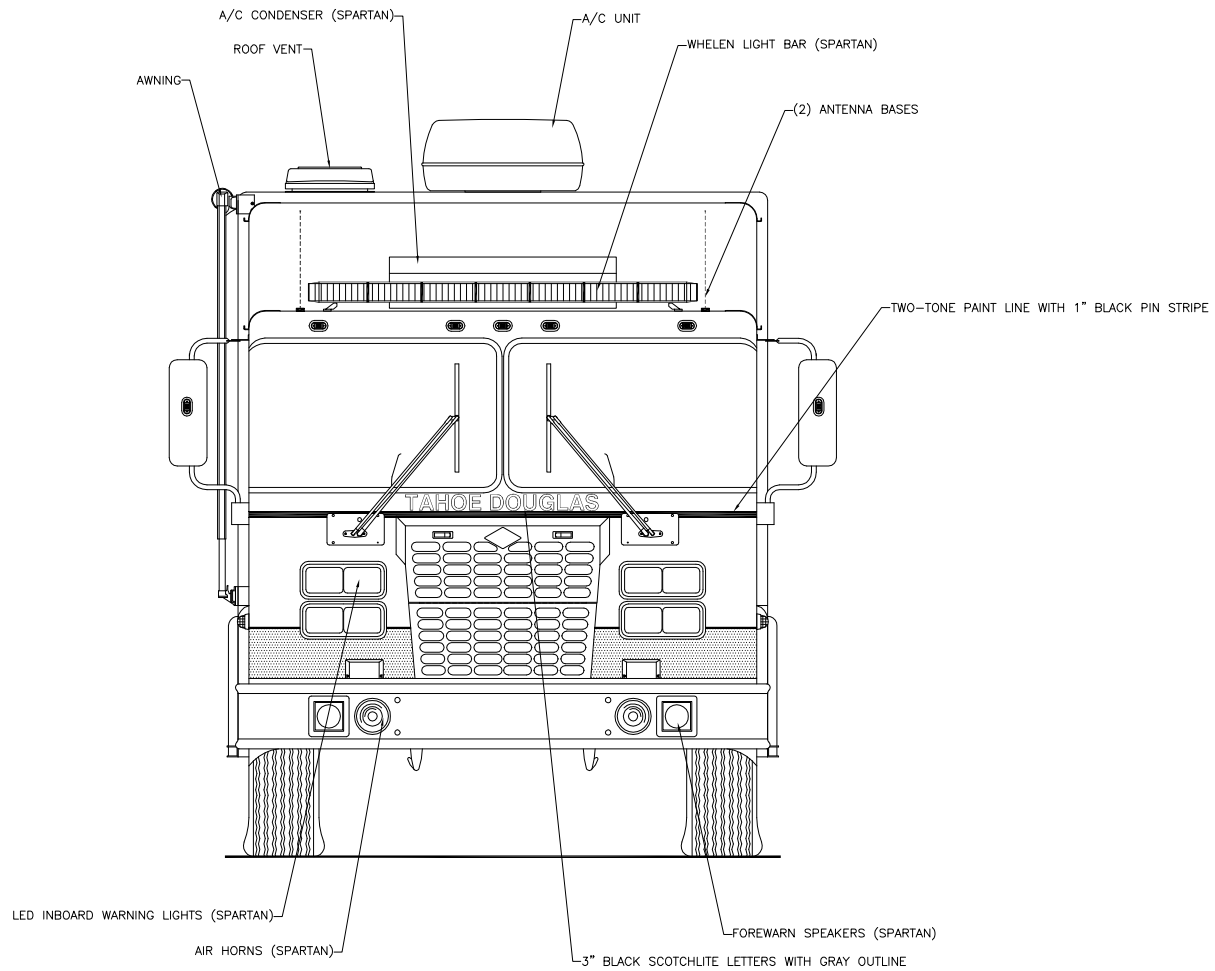
THESE DESIGN/ENGINEERING DRAWING(S) ARE THE PROPERTY OF EMERGENCY VEHICLES, INC. THEY ARE PROPRIETARY, AND ARE FOR THE EXCLUSIVE USE OF YOUR ENTITY. ANY DIVULGING OF THIS DATA TO A THIRD PARTY IS PROHIBITED.

| | | |
|------------|---------------|----------------|
| <i>EJ</i> | | DATE: 09/24/08 |
| REVISION 1 | NS - 10/13/08 | |
| REVISION 2 | NS - 10/30/08 | |
| REVISION 3 | NS - 11/25/08 | |
| REVISION 4 | NS - 12/17/08 | |
| REVISION 5 | - | |



Streetside Overall

*Tahoe Douglas Fire Protection District
Zephyr Cove, Nevada*



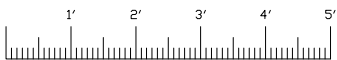
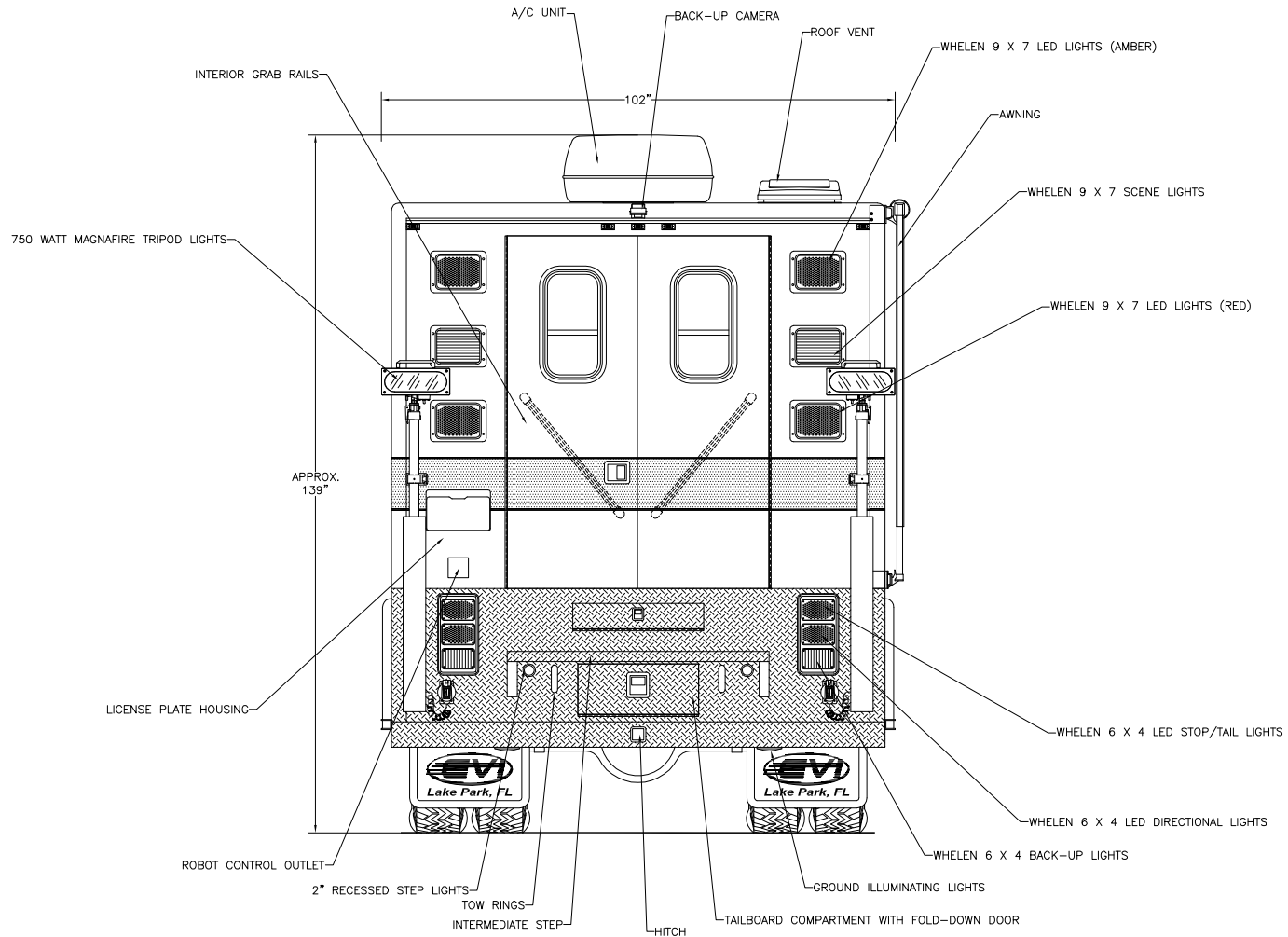
Front View

THESE DESIGN/ENGINEERING DRAWING(S) ARE THE PROPERTY OF EMERGENCY VEHICLES, INC. THEY ARE PROPRIETARY, AND ARE FOR THE EXCLUSIVE USE OF YOUR ENTITY. ANY DIVULGING OF THIS DATA TO A THIRD PARTY IS PROHIBITED.

EJ DATE: 09/24/08

| | |
|------------|---------------|
| REVISION 1 | NS - 10/13/08 |
| REVISION 2 | NS - 10/30/08 |
| REVISION 3 | NS - 11/25/08 |
| REVISION 4 | NS - 12/17/08 |
| REVISION 5 | - |

*Tahoe Douglas Fire Protection District
Zephyr Cove, Nevada*



Rear View

THESE DESIGN/ENGINEERING DRAWING(S) ARE THE PROPERTY OF EMERGENCY VEHICLES, INC. THEY ARE PROPRIETARY, AND ARE FOR THE EXCLUSIVE USE OF YOUR ENTITY. ANY DIVULGING OF THIS DATA TO A THIRD PARTY IS PROHIBITED.

| | | |
|------------|---------------|----------------|
| REVISION 1 | NS - 10/13/08 | DATE: 09/24/08 |
| REVISION 2 | NS - 10/30/08 | |
| REVISION 3 | NS - 11/25/08 | |
| REVISION 4 | NS - 12/17/08 | |
| REVISION 5 | - | |