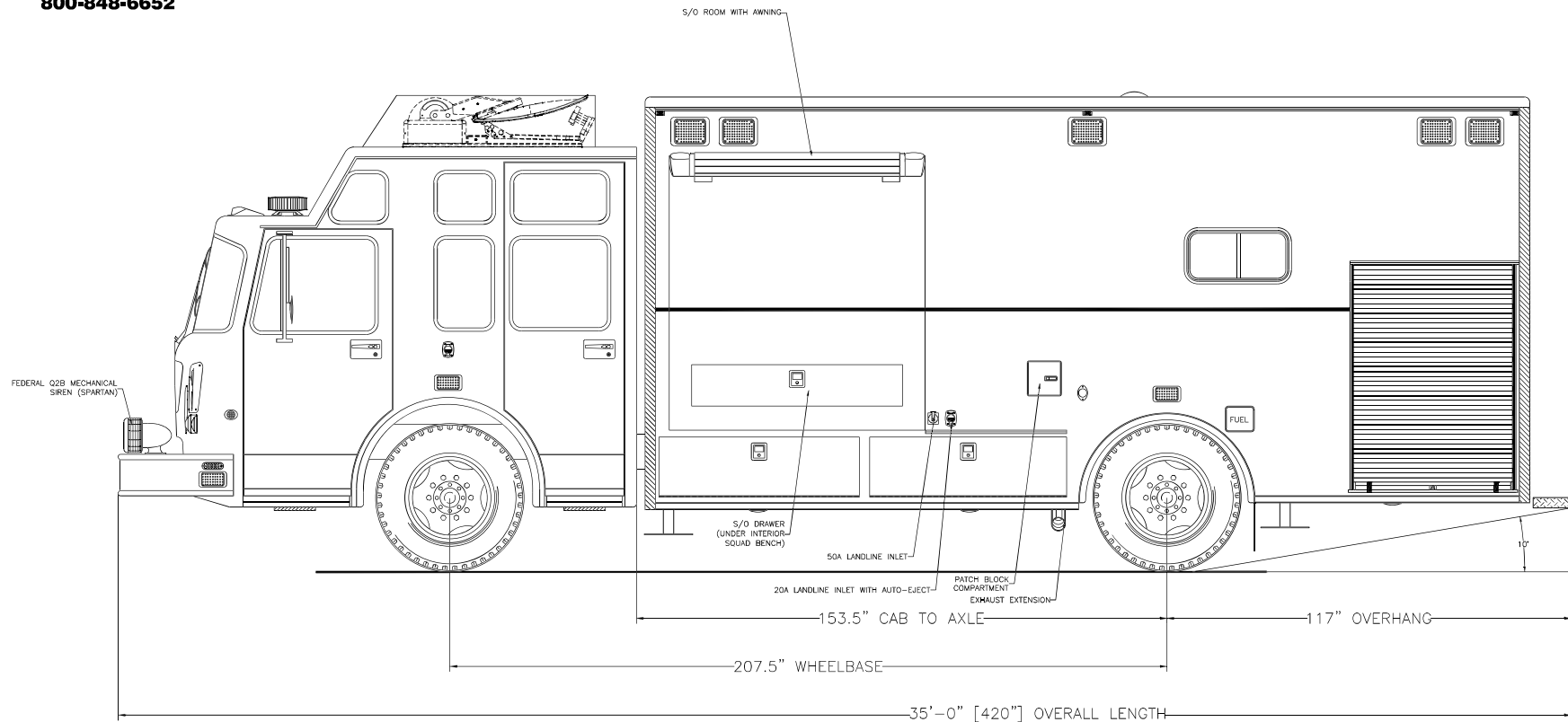




705 13TH STREET, LAKE PARK, FL
800-848-6652

Monroeville Fire Co. #3
Monroeville, Pennsylvania



THESE DESIGN/ENGINEERING DRAWING(S) ARE THE PROPERTY OF EMERGENCY VEHICLES, INC. THEY ARE PROPRIETARY, AND ARE FOR THE EXCLUSIVE USE OF YOUR ENTITY. ANY DIVULGING OF THIS DATA TO A THIRD PARTY IS PROHIBITED.

Signature DATE: 05/14/14

REVISION 1	NS - 05/28/15
REVISION 2	NS - 09/09/15
REVISION 3	NS - 11/02/15
REVISION 4	ACS - 06/02/16
REVISION 5	NS - 09/02/16

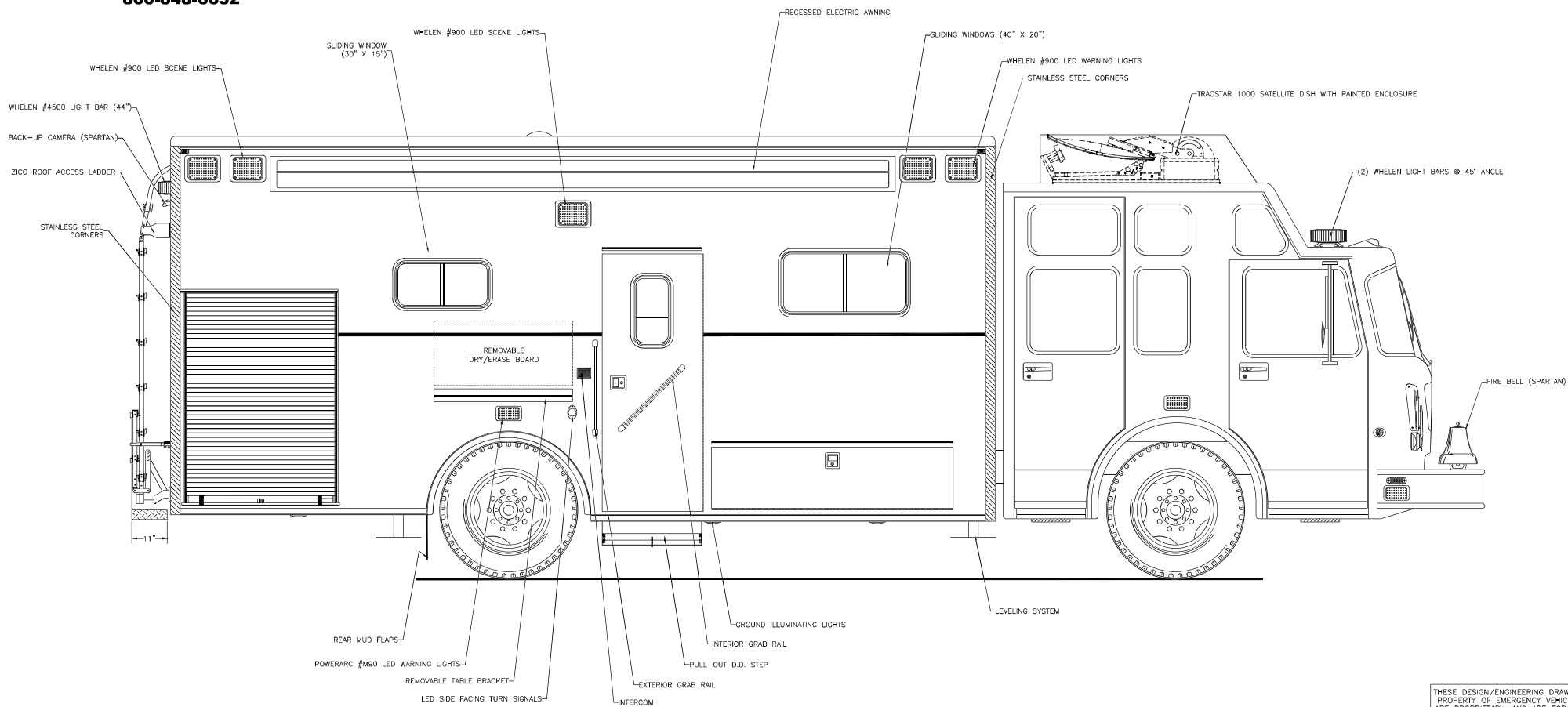


Streetside Overall



705 13TH STREET, LAKE PARK, FL
800-848-6652

Monroeville Fire Co. #3 Monroeville, Pennsylvania



Curbside Overall

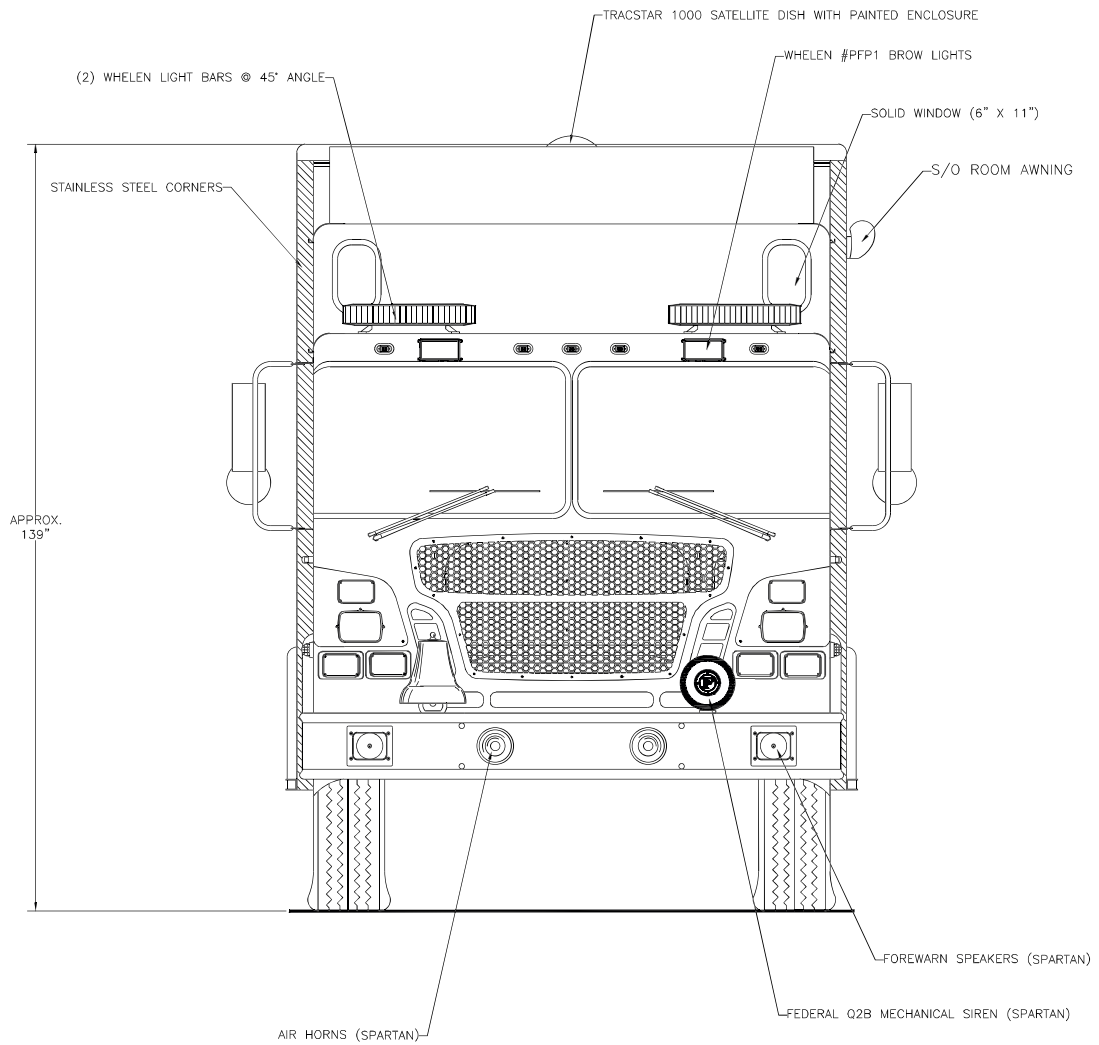
THESE DESIGN/ENGINEERING DRAWING(S) ARE THE PROPERTY OF EMERGENCY VEHICLES, INC. THEY ARE PROPRIETARY, AND ARE FOR THE EXCLUSIVE USE OF YOUR ENTITY. ANY DIVULGING OF THIS DATA TO A THIRD PARTY IS PROHIBITED.

		DATE: 05/14/14
REVISION 1	NS	05/28/15
REVISION 2	NS	09/09/15
REVISION 3	NS	11/02/15
REVISION 4	ACS	06/02/16
REVISION 5	NS	09/02/16

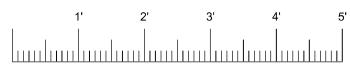


705 13TH STREET, LAKE PARK, FL
800-848-6652

Monroeville Fire Co. #3 Monroeville, Pennsylvania



MAX. HEIGHT
11' - 8"
(140")



Front View

THESE DESIGN/ENGINEERING DRAWING(S) ARE THE PROPERTY OF EMERGENCY VEHICLES, INC. THEY ARE PROPRIETARY, AND ARE FOR THE EXCLUSIVE USE OF YOUR ENTITY. ANY DIVULGING OF THIS DATA TO A THIRD PARTY IS PROHIBITED.

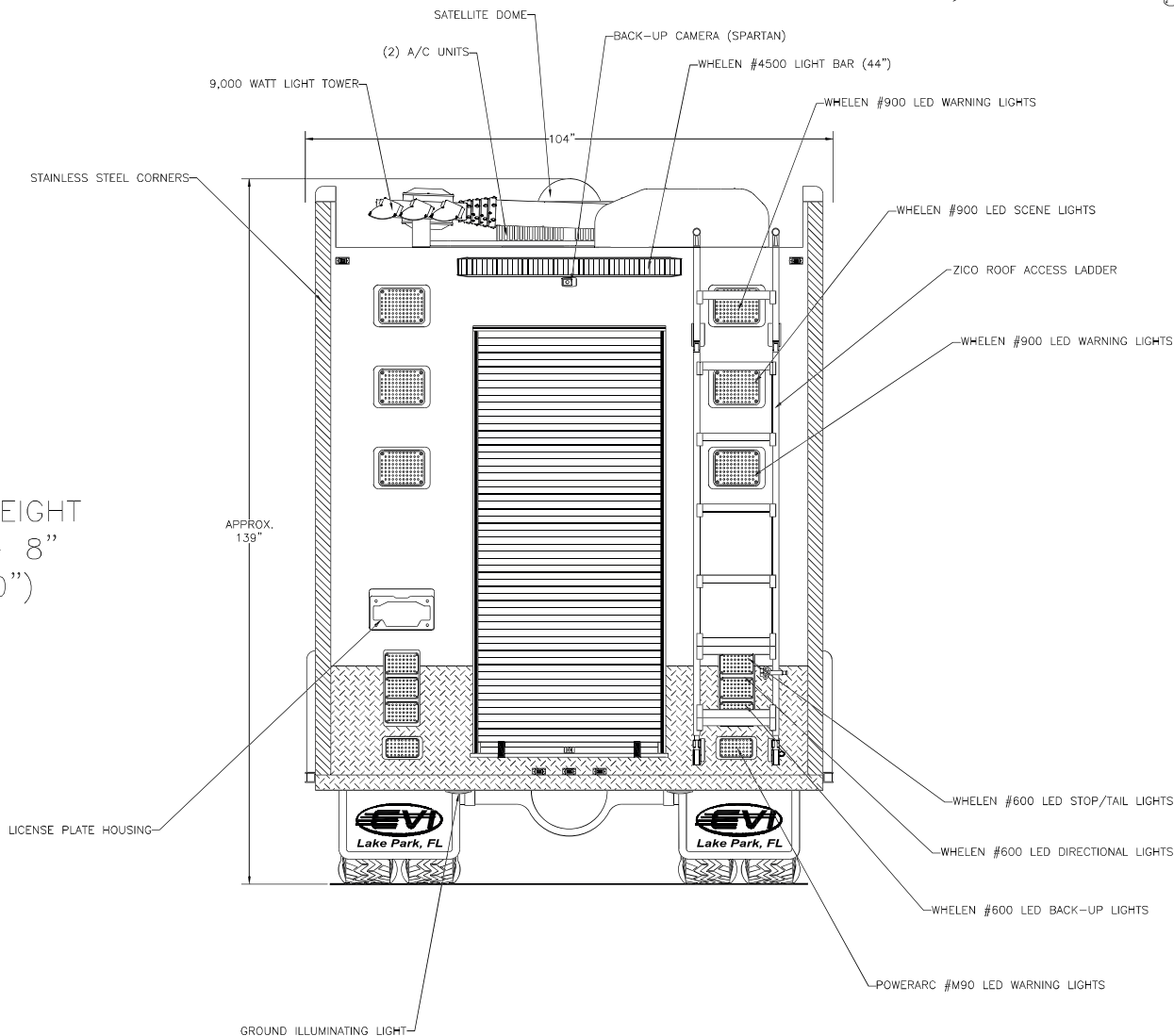
E. Spencer DATE: 05/14/14

REVISION 1	NS - 05/28/15
REVISION 2	NS - 09/09/15
REVISION 3	NS - 11/02/15
REVISION 4	-
REVISION 5	-



705 13TH STREET, LAKE PARK, FL
800-848-6652

Monroeville Fire Co. #3 Monroeville, Pennsylvania



MAX. HEIGHT
11' - 8"
(140")



Rear View

THESE DESIGN/ENGINEERING DRAWING(S) ARE THE PROPERTY OF EMERGENCY VEHICLES, INC. THEY ARE PROPRIETARY, AND ARE FOR THE EXCLUSIVE USE OF YOUR ENTITY. ANY DIVULGING OF THIS DATA TO A THIRD PARTY IS PROHIBITED.

[Signature] DATE: 05/14/14

REVISION 1	NS - 05/28/15
REVISION 2	NS - 09/09/15
REVISION 3	NS - 11/02/15
REVISION 4	-
REVISION 5	-