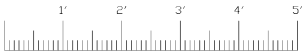
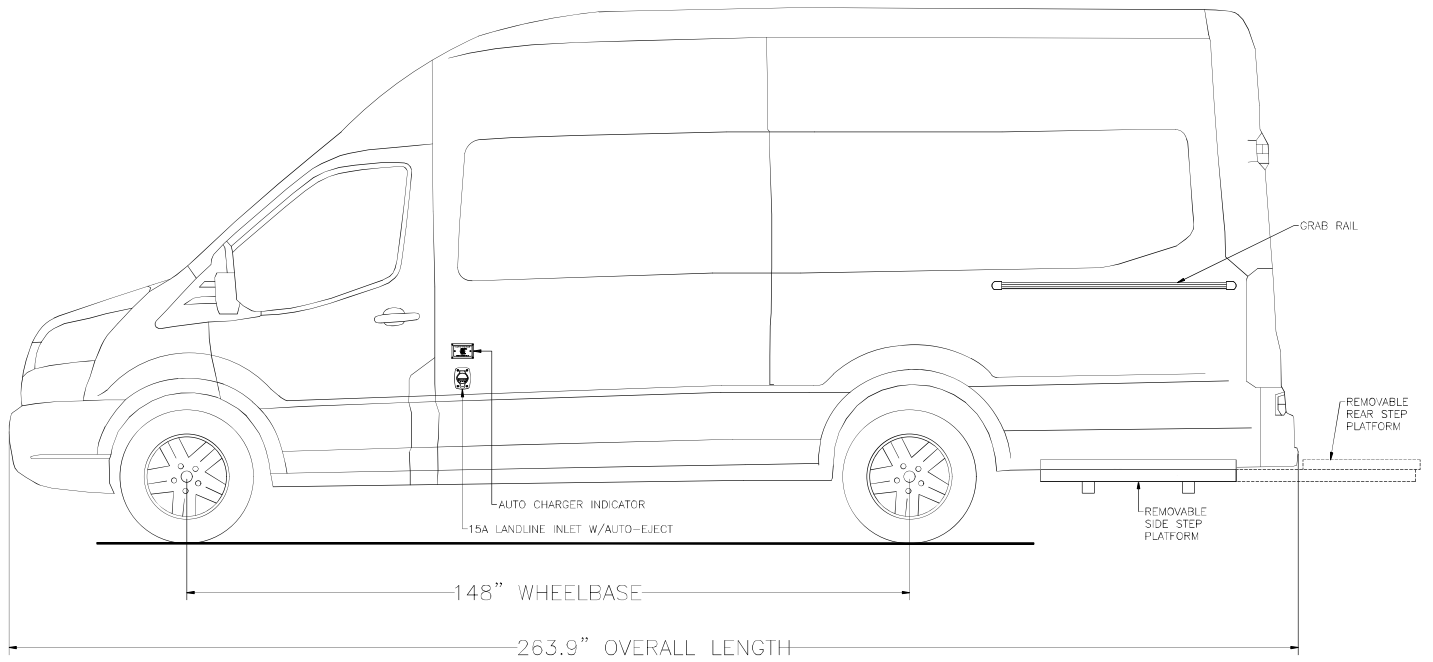




705 13TH STREET, LAKE PARK, FL
800-848-6652

Miami-Dade County Police Department Miami, Florida



Streetside Overall

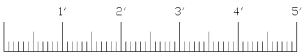
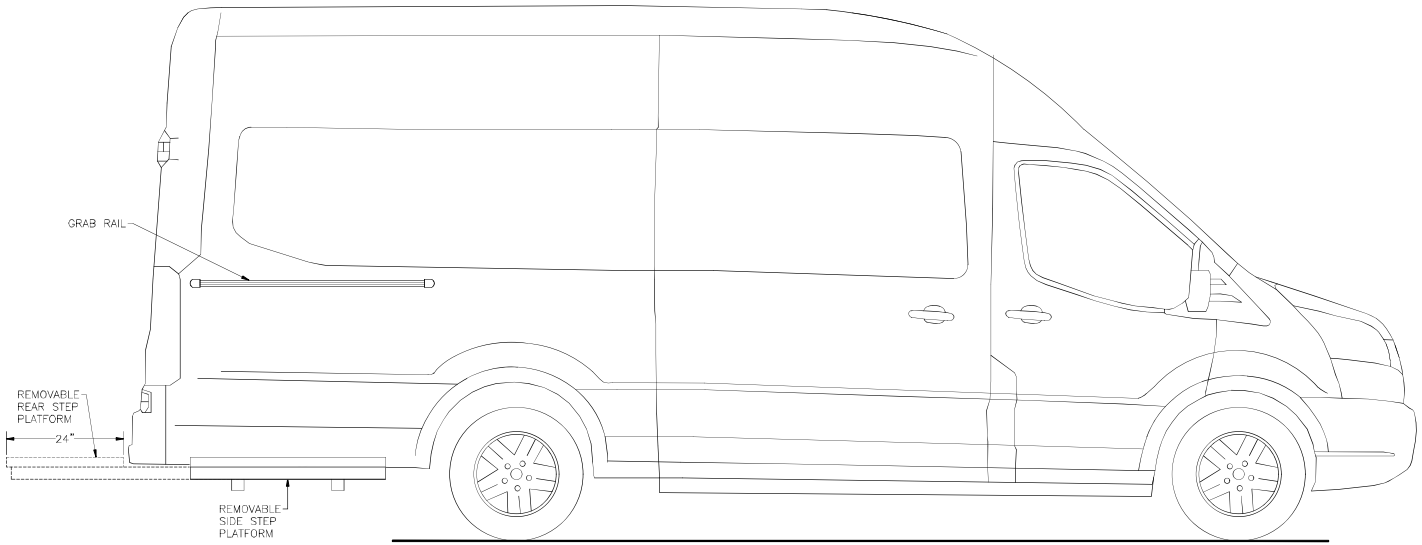
PRELIMINARY		
<small>NOTICE: THIS DRAWING IS A REPRESENTATION OF THE VEHICLE AND/OR COMPONENTS AS DESCRIBED IN THE SPECIFICATIONS FOR THE DATE SHOWN. EVI RESERVES THE RIGHT TO MAKE CHANGES AS NECESSARY DURING THE PRODUCTION PROCESS TO ACCOMMODATE BEST MANUFACTURING PRACTICES AND TO ENSURE WE PROVIDE A CONSISTENTLY HIGH QUALITY PRODUCT.</small>		
REVISION 1	IMP - 01/24/24	THESE DESIGN/ENGINEERING
REVISION 2	-	CHANGES ARE THE PROPERTY
REVISION 3	-	OF THE DRAWING OFFICE. ALL
REVISION 4	-	THEY ARE PROPRIETARY AND ARE
REVISION 5	-	FOR THE EXCLUSIVE USE OF
REVISION 6	-	THIS ENTITY. ANY EVALUATION OF
		THIS DATA TO A THIRD PARTY IS
		DATE: 06/16/21

PRODDWG\3197_MD_PD_FL\CARGO_VAN\LP\06162021



705 13TH STREET, LAKE PARK, FL
800-848-6652

Miami-Dade County Police Department Miami, Florida



Curbside Overall

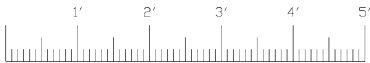
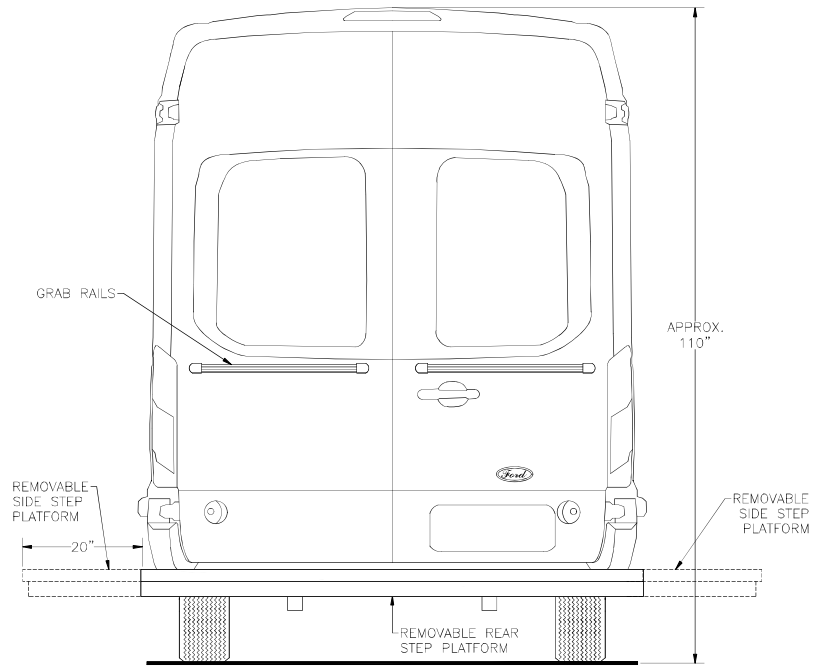
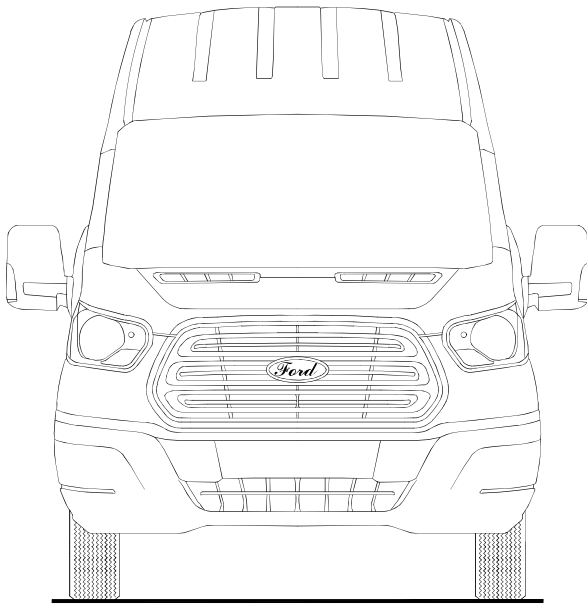
PRELIMINARY	
<small>NOTICE: THIS DRAWING IS A REPRESENTATION OF THE VEHICLE AND/OR COMPONENTS AS DESCRIBED IN THE SPECIFICATIONS FOR THE DATE SHOWN. EVI RESERVES THE RIGHT TO MAKE CHANGES AS NECESSARY DURING THE PRODUCTION PROCESS TO ACCOMMODATE BEST MANUFACTURING PRACTICES AND TO ENSURE WE PROVIDE A CONSISTENTLY HIGH QUALITY PRODUCT.</small>	
REVISION 1	IMP - 02/24/24
REVISION 2	-
REVISION 3	-
REVISION 4	-
REVISION 5	-
REVISION 6	-

PRODDWG\3197_MD_PD_FL\CARGO_VAN\LX06162021



705 13TH STREET, LAKE PARK, FL
800-848-6652

Miami-Dade County Police Department Miami, Florida



Front/Rear View

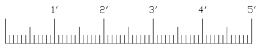
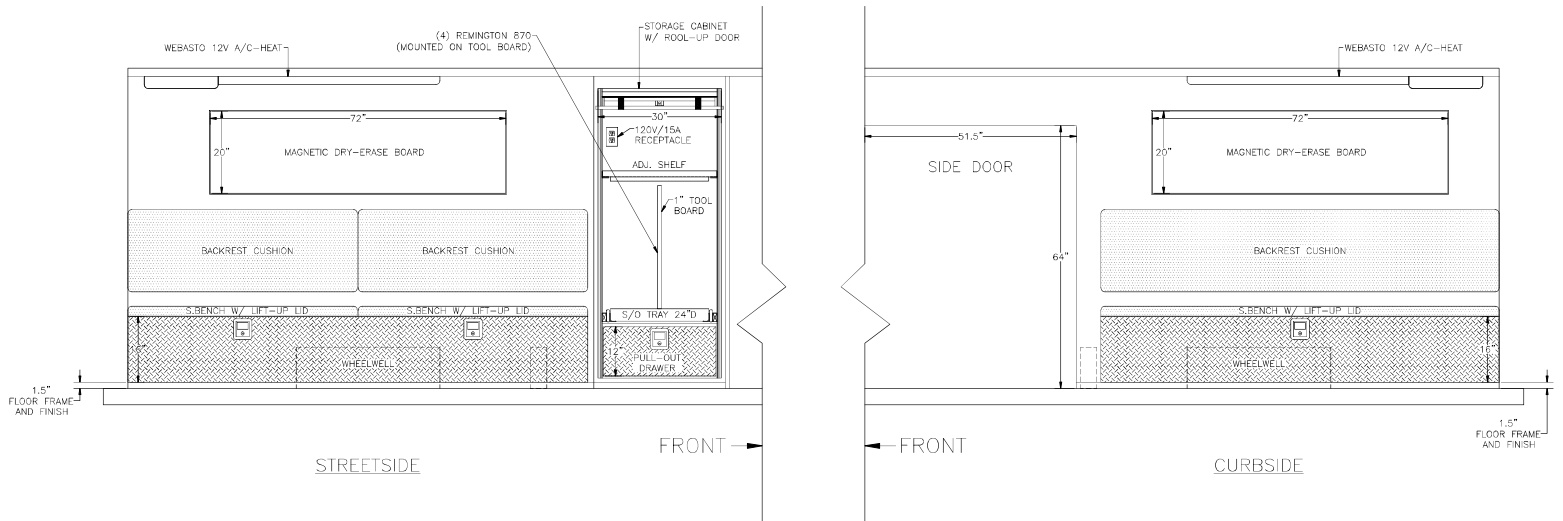
PRELIMINARY			
<small>NOTICE: THIS DRAWING IS A REPRESENTATION OF THE VEHICLE AND/OR COMPONENTS AS DESCRIBED IN THE SPECIFICATIONS PER THE DATE SHOWN. EVI RESERVES THE RIGHT TO MAKE CHANGES, AS NECESSARY, DURING THE PRODUCTION PROCESS TO ACCOMMODATE BEST MANUFACTURING PRACTICES AND TO ENSURE WE PROVIDE A CONSISTENTLY HIGH QUALITY PRODUCT.</small>			
REVISION 1	NP - 01/24/21	THREE DESIGN/ENGINEERING	
REVISION 2	-	DRAWINGS ARE THE PROPERTY	
REVISION 3	-	OF PREMIER VEHICLES, INC.	
REVISION 4	-	THEY ARE NOT TO BE REPRODUCED	
REVISION 5	-	OR FOR THE EXCLUSIVE USE OF	
REVISION 6	-	YOUR ENTITY. ANY REVISIONS OF	
		THIS DATA IS A PROPERTY OF	DATE: 06/16/21
		P R E M I E R V E H I C L E S	

PRODDWG-3197_MD_PD_FL/CARGO_VAN/LP\06162021



705 13TH STREET, LAKE PARK, FL
800-848-6652

Miami-Dade County Police Department Miami, Florida



Streetside/Curbside Interior

PRELIMINARY	
NOTICE: THIS DRAWING IS A REPRESENTATION OF THE VEHICLE AND/OR COMPONENTS AS DESCRIBED IN THE SPECIFICATIONS FOR THE DATE SHOWN. EVI RESERVES THE RIGHT TO MAKE CHANGES AS NECESSARY DURING THE PRODUCTION PROCESS TO ACCOMMODATE BEST MANUFACTURING PRACTICES AND TO ENSURE WE PROVIDE A CONSISTENTLY HIGH QUALITY PRODUCT.	
REVISION 1	IMP - 03/24/24
REVISION 2	-
REVISION 3	-
REVISION 4	-
REVISION 5	-
REVISION 6	-

THESE REVISIONS/ENGINEERING DRAWINGS ARE THE PROPERTY OF EVERETT ENGINEERING. THEY ARE PROPRIETARY AND ARE FOR THE EXCLUSIVE USE OF YOUR ENTITY. ANY DIVULGING OF THIS DATA IS A VIOLATION OF P R O H I B I T E D

DATE: 06/16/21

PRODDWG\3197_MD_PD_FL\CARGO_VAN\LPX06162021