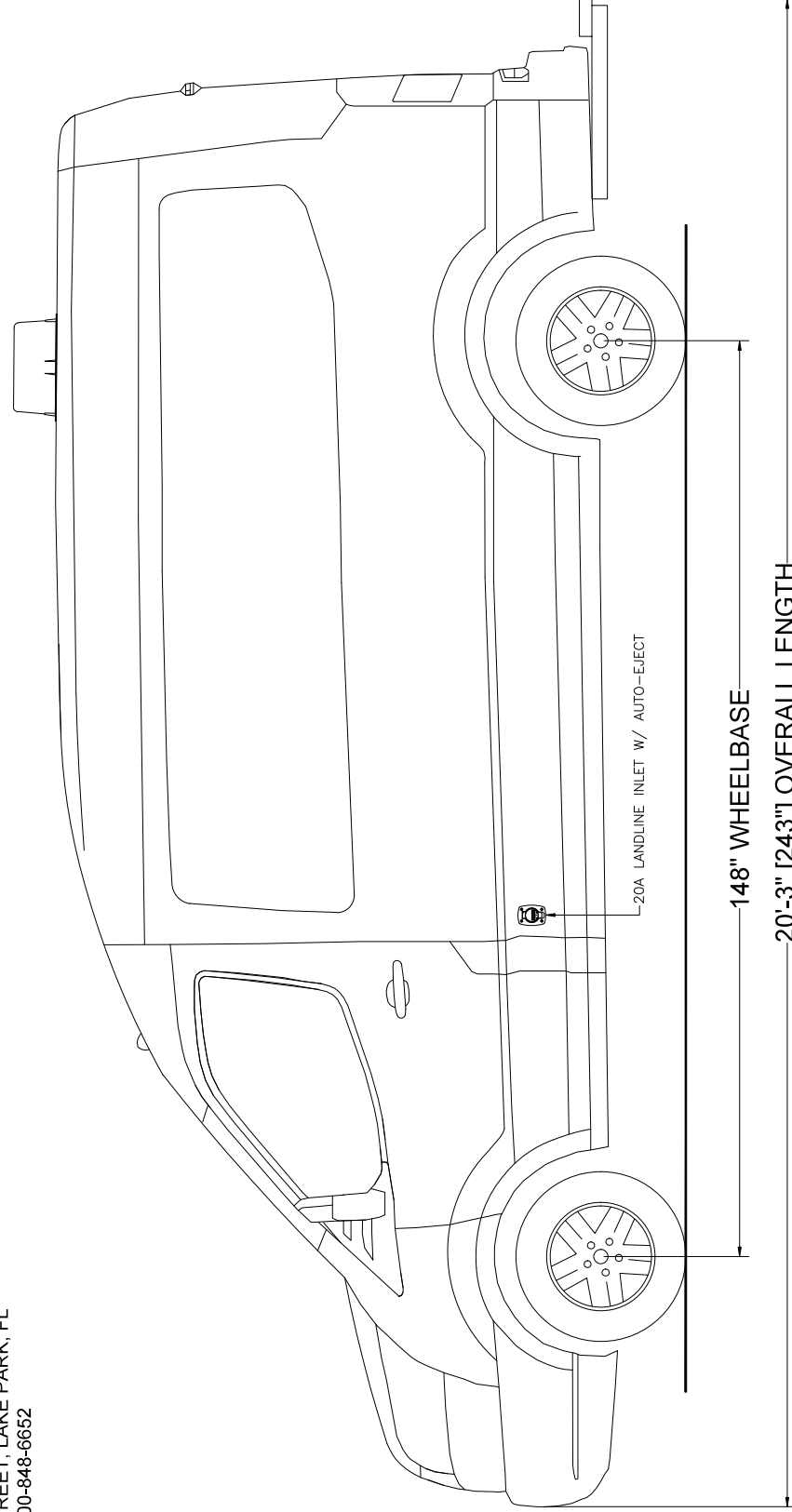


# RALEIGH POLICE DEPARTMENT RALEIGH, NORTH CAROLINA



705 13TH STREET, LAKE PARK, FL  
800-848-6652



**PRELIMINARY**

NOTICE: THIS DRAWING IS A PRELIMINARY DESIGN AND IS SUBJECT TO CHANGE WITHOUT NOTICE. THE PRODUCTION PROCESS TO ACCOMMODATE BEST MANUFACTURING PRACTICES AND TO ENSURE WE PROVIDE A COMPLETE AND QUALITY PRODUCT.

REVISION 1	DATE	DESCRIPTION
REVISION 2	10/17/2023	INITIAL DESIGN
REVISION 3	-	-
REVISION 4	-	-
REVISION 5	-	-
REVISION 6	-	-

THESE DESIGNING MEETING NOTES ARE THE PROPERTY OF THE DESIGNER AND ARE NOT TO BE REPRODUCED OR USED FOR ANY OTHER PURPOSE WITHOUT THE WRITTEN CONSENT OF THE DESIGNER. THESE DESIGNING MEETING NOTES ARE THE PROPERTY OF THE DESIGNER AND ARE NOT TO BE REPRODUCED OR USED FOR ANY OTHER PURPOSE WITHOUT THE WRITTEN CONSENT OF THE DESIGNER.

DATE: 10/17/2023

PROJECT: RALEIGH POLICE DEPARTMENT VEHICLE

DESIGNER: [Name]

CHECKER: [Name]

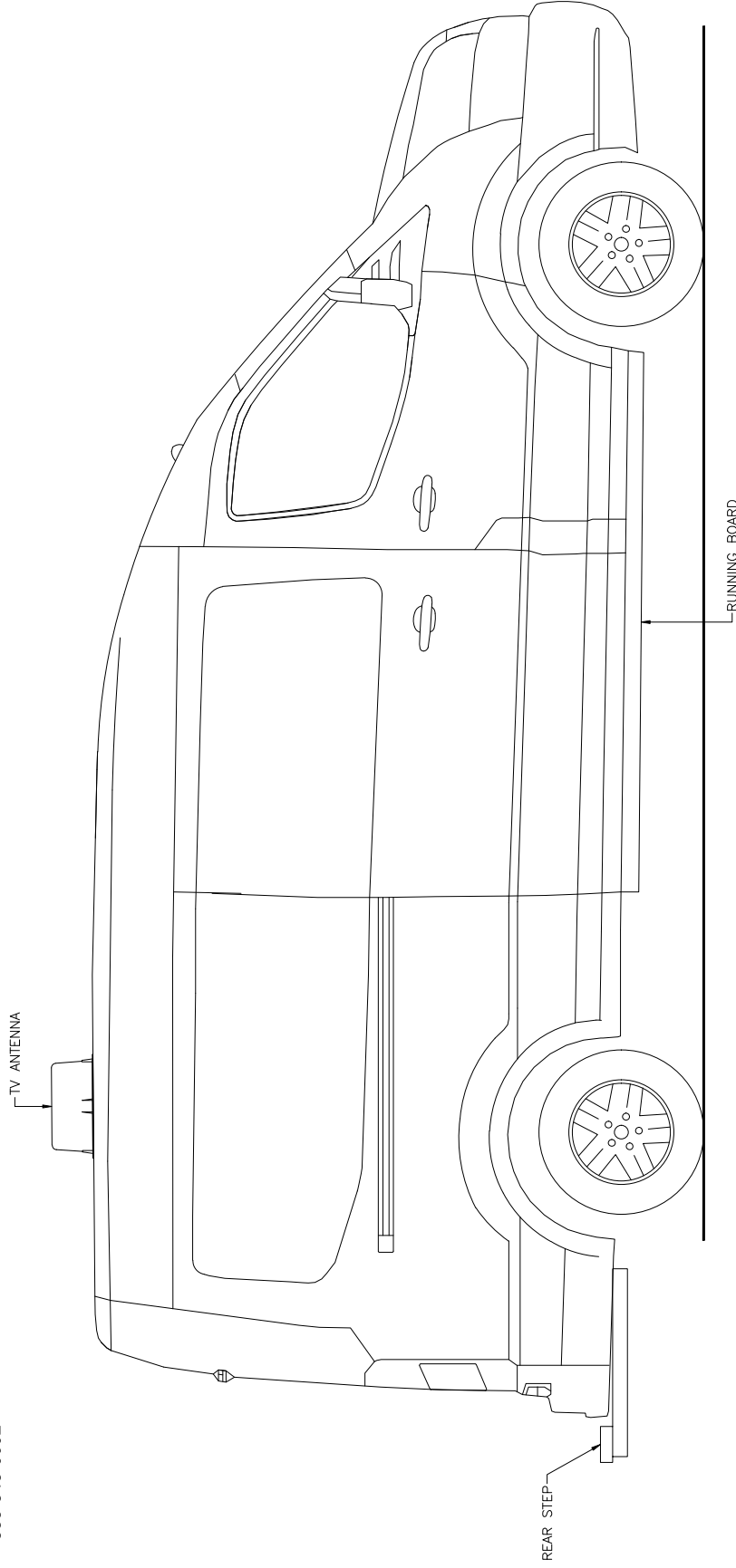
DATE: 10/17/2023

## STREETSIDE OVERALL

# RALEIGH POLICE DEPARTMENT RALEIGH, NORTH CAROLINA



705 13TH STREET, LAKE PARK, FL  
800-848-6652



## PRELIMINARY

NOTICE: THESE DRAWINGS ARE A REPRESENTATION OF THE VEHICLE AND/OR COMPONENTS AS DESCRIBED IN THE SPECIFICATIONS FOR THE DATE SHOWN. EVA RESERVES THE RIGHT TO MAKE CHANGES AS NECESSARY DURING THE PRODUCTION PROGRAM TO ACCOMMODATE BEST MANUFACTURING PRACTICES AND TO ENSURE WE PROVIDE A QUALITY PRODUCT TO OUR CUSTOMERS.

REVISION	DESCRIPTION	DATE
REVISION 1	MP-112823	
REVISION 2		
REVISION 3		
REVISION 4		
REVISION 5		
REVISION 6		

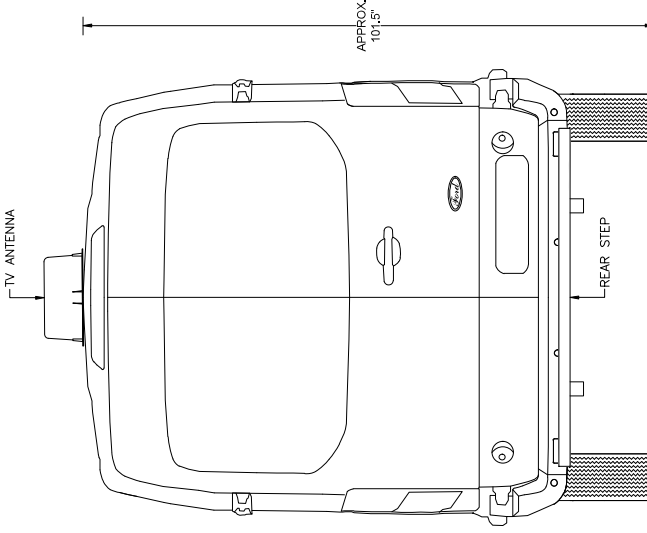
PRODDWG3168\_RALEIGH P.D. Office VarINP107202023  
DATE: 07/20/23

# CURBSIDE OVERALL

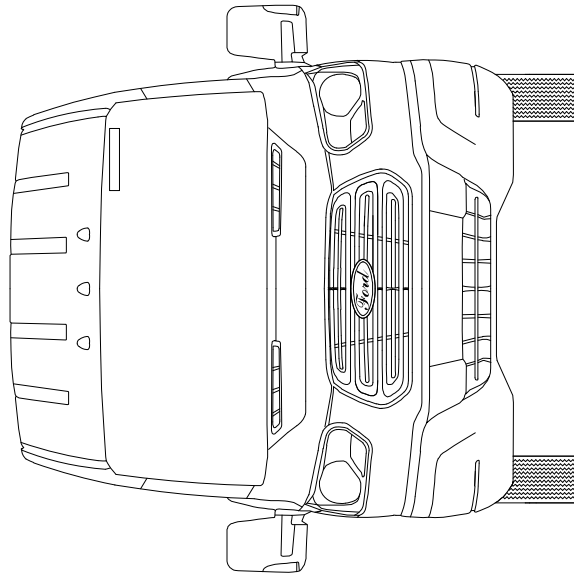
# RALEIGH POLICE DEPARTMENT RALEIGH, NORTH CAROLINA



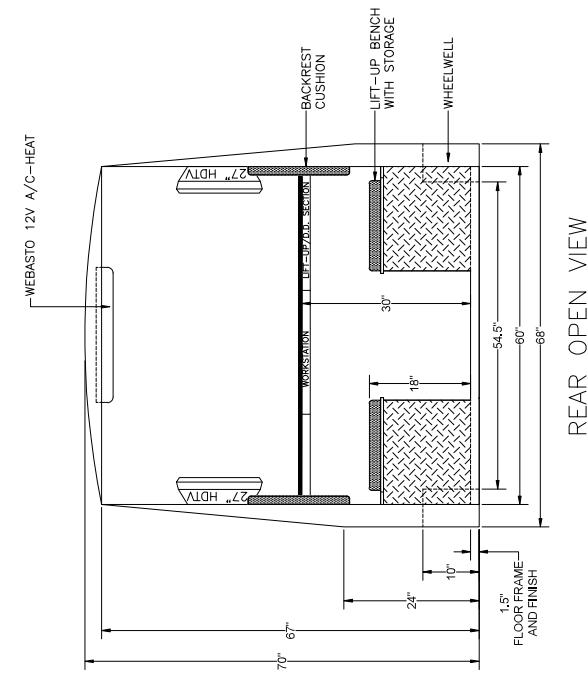
705 13TH STREET, LAKE PARK, FL  
800-848-6652



REAR VIEW



FRONT VIEW



REAR OPEN VIEW

## PRELIMINARY

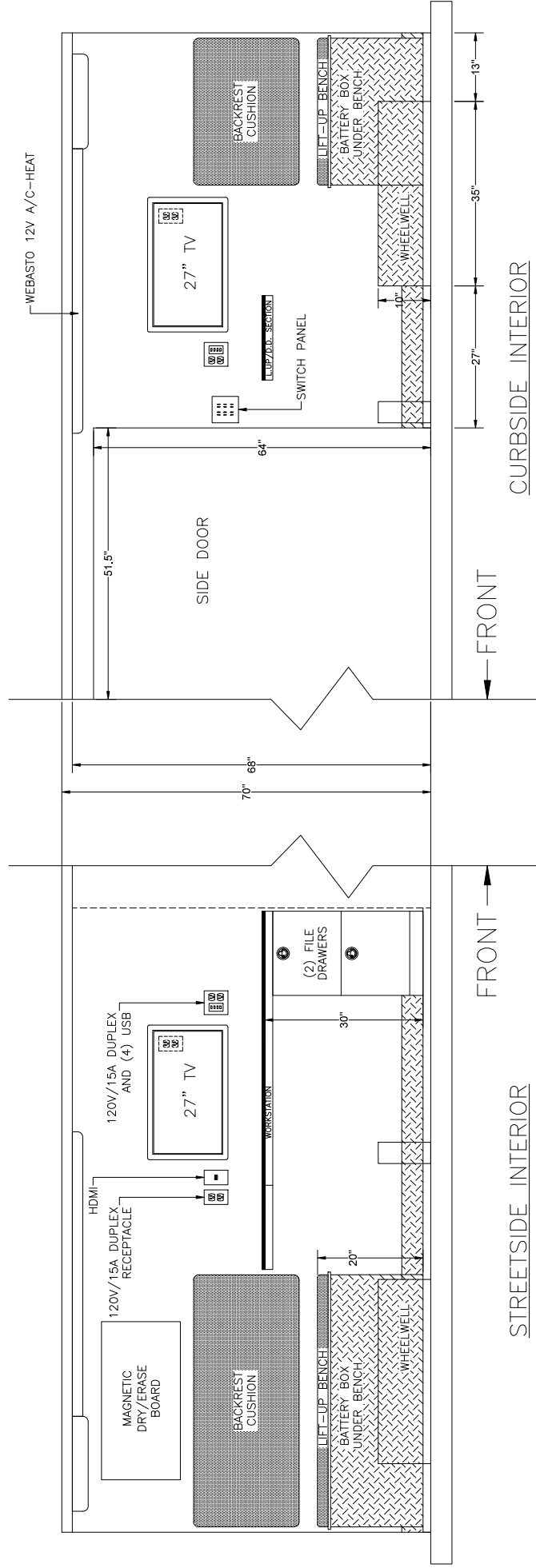
NOTICE: THIS DRAWING IS A PRELIMINARY DESIGN. EVANTRA VEHICLES, INC. RESERVES THE RIGHT TO MAKE CHANGES AS NECESSARY DURING THE PRODUCTION PROCESS TO ACCOMMODATE BEST MANUFACTURING PRACTICES AND TO ENSURE WE PROVIDE A QUALITY PRODUCT.

REVISION	DATE	DESCRIPTION
REV0011	10/25/2023	INITIAL DESIGN
REV0012	-	-
REV0013	-	-
REV0014	-	-
REV0015	-	-
REV0016	-	-

# RALEIGH POLICE DEPARTMENT RALEIGH, NORTH CAROLINA



705 13TH STREET, LAKE PARK, FL  
800-848-6652



# INTERIOR VIEW

**PRELIMINARY**

NOTICE: THIS DRAWING IS A REPRESENTATION OF THE VEHICLE AND/OR COMPONENTS AS DESCRIBED IN THE SPECIFICATIONS FOR THE DATE SHOWN. EVI RESERVES THE RIGHT TO MAKE CHANGES, AS NECESSARY, DURING THE MANUFACTURING PROCESS. THE DRAWING IS NOT TO BE USED FOR REPRODUCTION OR REUSE WITHOUT THE WRITTEN PERMISSION OF EVI. EVI ASSUMES NO LIABILITY FOR ANY DAMAGE OR LOSS OF PROFITS, INCLUDING REASONABLE ATTORNEY'S FEES, ARISING FROM THE USE OF THIS DRAWING. THE USER OF THIS DRAWING AGREES TO HOLD EVI HARMLESS FROM ANY AND ALL SUCH DAMAGES AND LOSSES.

REVISION	DATE	DESCRIPTION
REVISION 1	11/20/2023	INITIAL DESIGN
REVISION 2	-	-
REVISION 3	-	-
REVISION 4	-	-
REVISION 5	-	-
REVISION 6	-	-

DATE: 07/20/2023