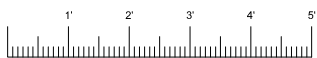
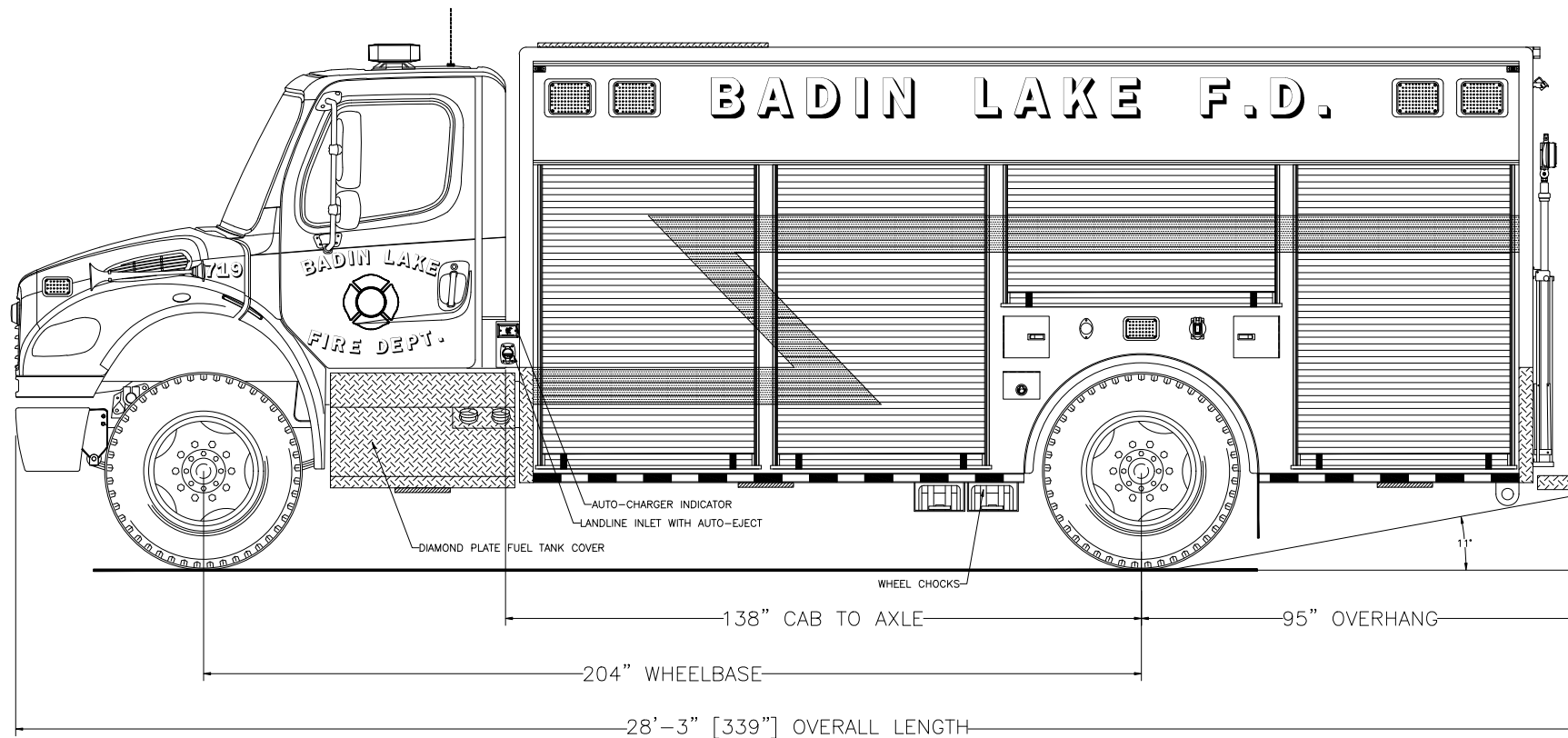




705 13TH STREET, LAKE PARK, FL  
800-848-6652

*Badin Lake Fire Department  
New London, North Carolina*



*Streetside Overall*

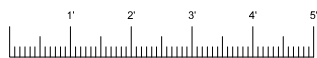
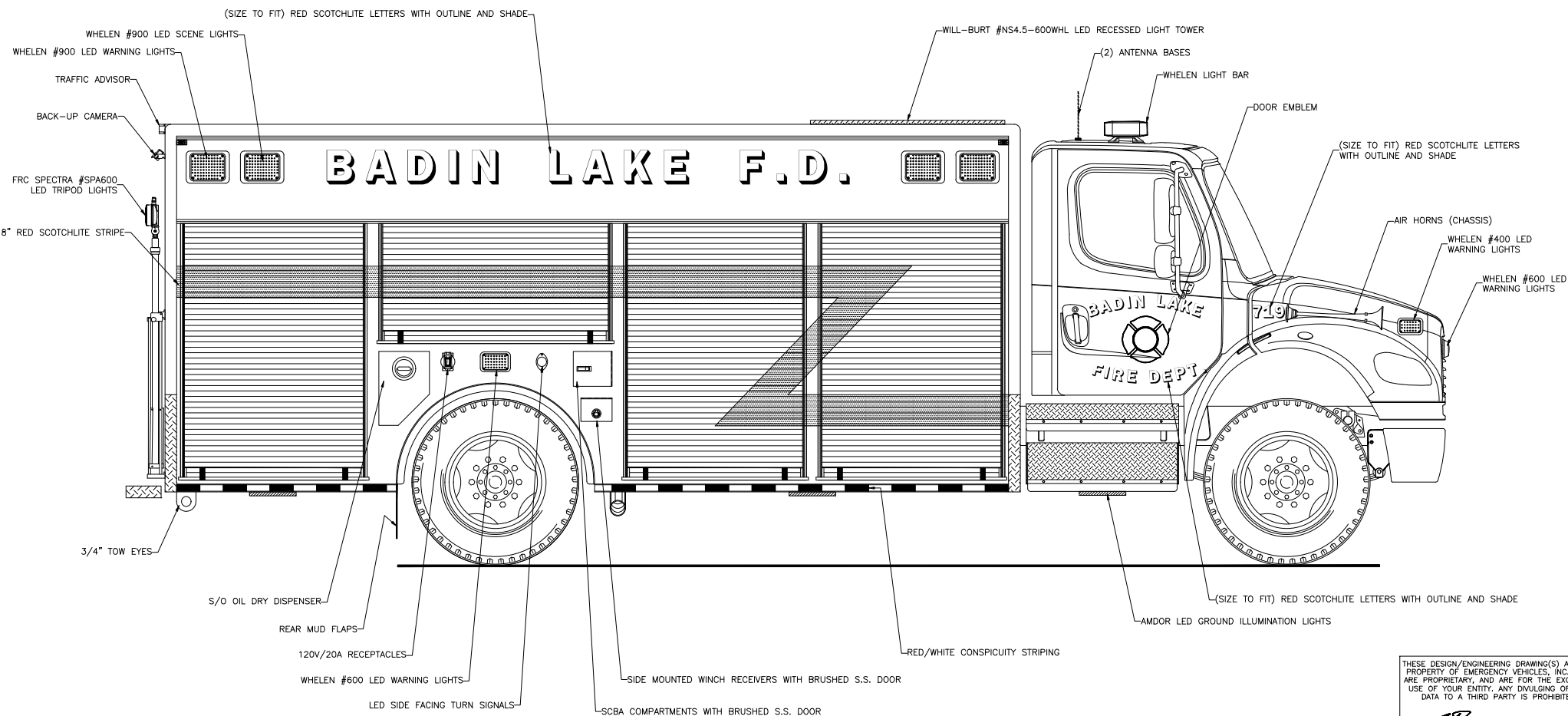
THESE DESIGN/ENGINEERING DRAWING(S) ARE THE PROPERTY OF EMERGENCY VEHICLES, INC. THEY ARE PROPRIETARY, AND ARE FOR THE EXCLUSIVE USE OF YOUR ENTITY. ANY DIVULGING OF THIS DATA TO A THIRD PARTY IS PROHIBITED.

		DATE: 06/21/16
REVISION 1	NS	09/13/16
REVISION 2	NS	10/18/16
REVISION 3	-	-
REVISION 4	-	-
REVISION 5	-	-



705 13TH STREET, LAKE PARK, FL  
800-848-6652

# Badin Lake Fire Department New London, North Carolina



Curbside Overall

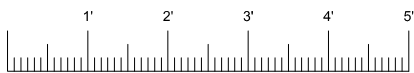
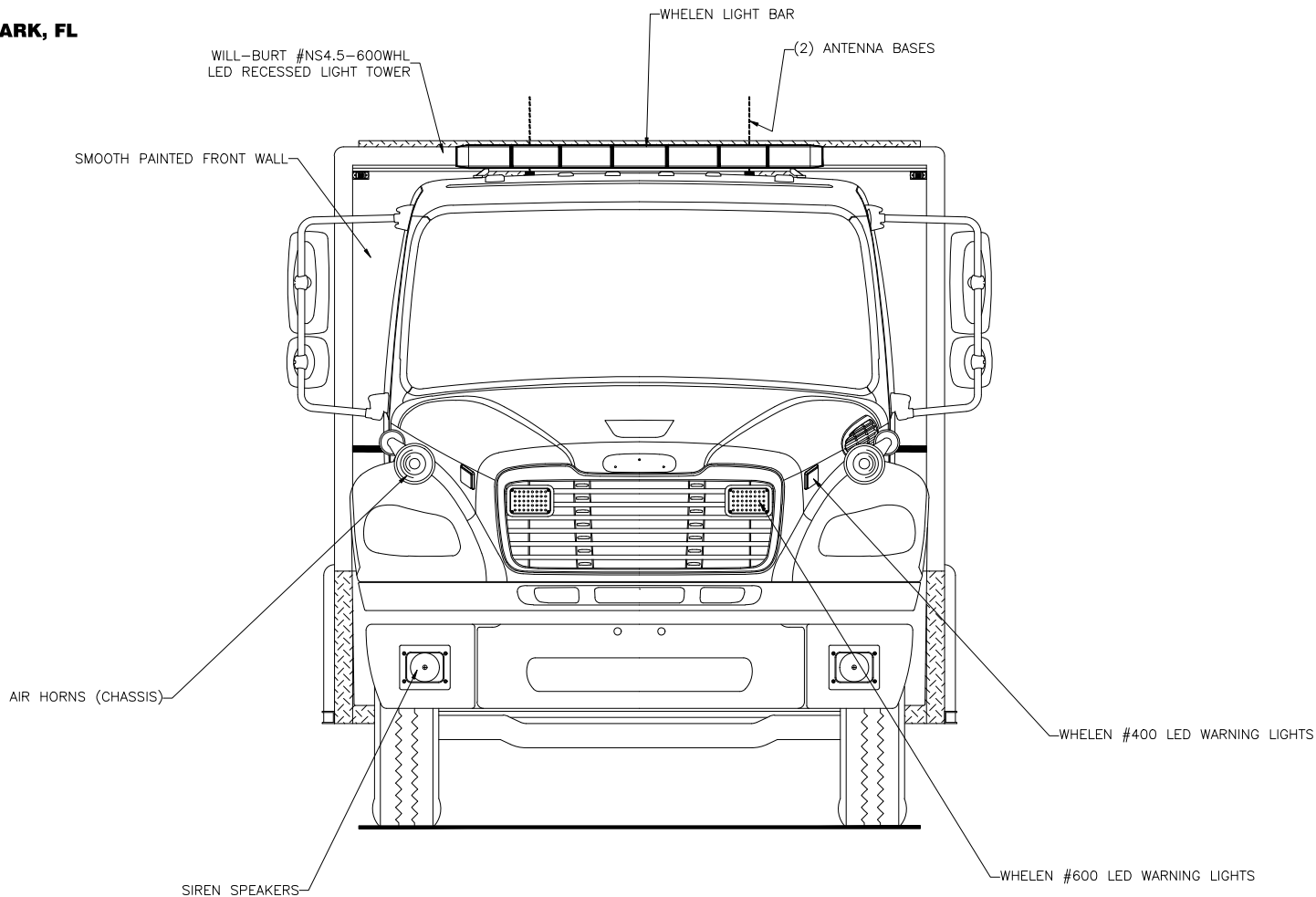
THESE DESIGN/ENGINEERING DRAWING(S) ARE THE PROPERTY OF EMERGENCY VEHICLES, INC. THEY ARE PROPRIETARY, AND ARE FOR THE EXCLUSIVE USE OF YOUR ENTITY. ANY DIVULGING OF THIS DATA TO A THIRD PARTY IS PROHIBITED.

		DATE: 06/21/16
REVISION 1	NS - 09/13/16	
REVISION 2	NS - 10/18/16	
REVISION 3	-	
REVISION 4	-	
REVISION 5	-	



705 13TH STREET, LAKE PARK, FL  
800-848-6652

*Badin Lake Fire Department  
New London, North Carolina*



*Front View*

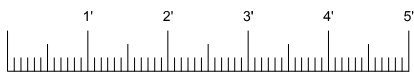
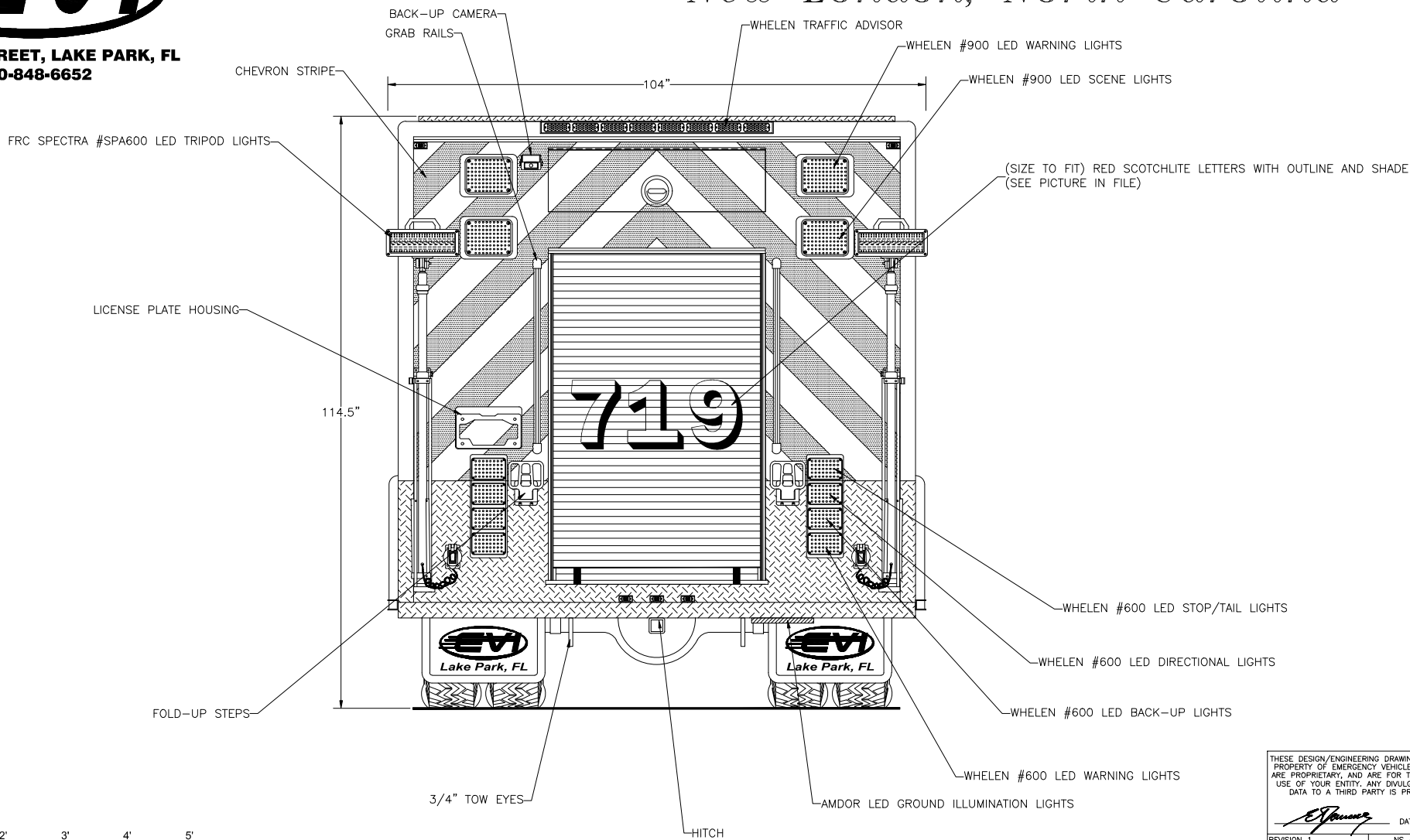
THESE DESIGN/ENGINEERING DRAWING(S) ARE THE PROPERTY OF EMERGENCY VEHICLES, INC. THEY ARE PROPRIETARY, AND ARE FOR THE EXCLUSIVE USE OF YOUR ENTITY. ANY DIVULGING OF THIS DATA TO A THIRD PARTY IS PROHIBITED.

		DATE: 06/21/16
REVISION 1		NS - 09/13/16
REVISION 2	-	
REVISION 3	-	
REVISION 4	-	
REVISION 5	-	



705 13TH STREET, LAKE PARK, FL  
800-848-6652

# Badin Lake Fire Department New London, North Carolina



Rear View

THESE DESIGN/ENGINEERING DRAWING(S) ARE THE PROPERTY OF EMERGENCY VEHICLES, INC. THEY ARE PROPRIETARY, AND ARE FOR THE EXCLUSIVE USE OF YOUR ENTITY. ANY DIVULGING OF THIS DATA TO A THIRD PARTY IS PROHIBITED.

*E. J. ...* DATE: 06/21/16

REVISION 1	NS - 09/13/16
REVISION 2	NS - 10/18/16
REVISION 3	-
REVISION 4	-
REVISION 5	-