

REVISED:

GAINESVILLE POLICE DEPARTMENT
GAINESVILLE, FLORIDA

REVISIONS

1	NP - 02/23/23
2	
3	
4	
5	
6	

SCALE
N.T.S.
ALL DIMS IN INCHES

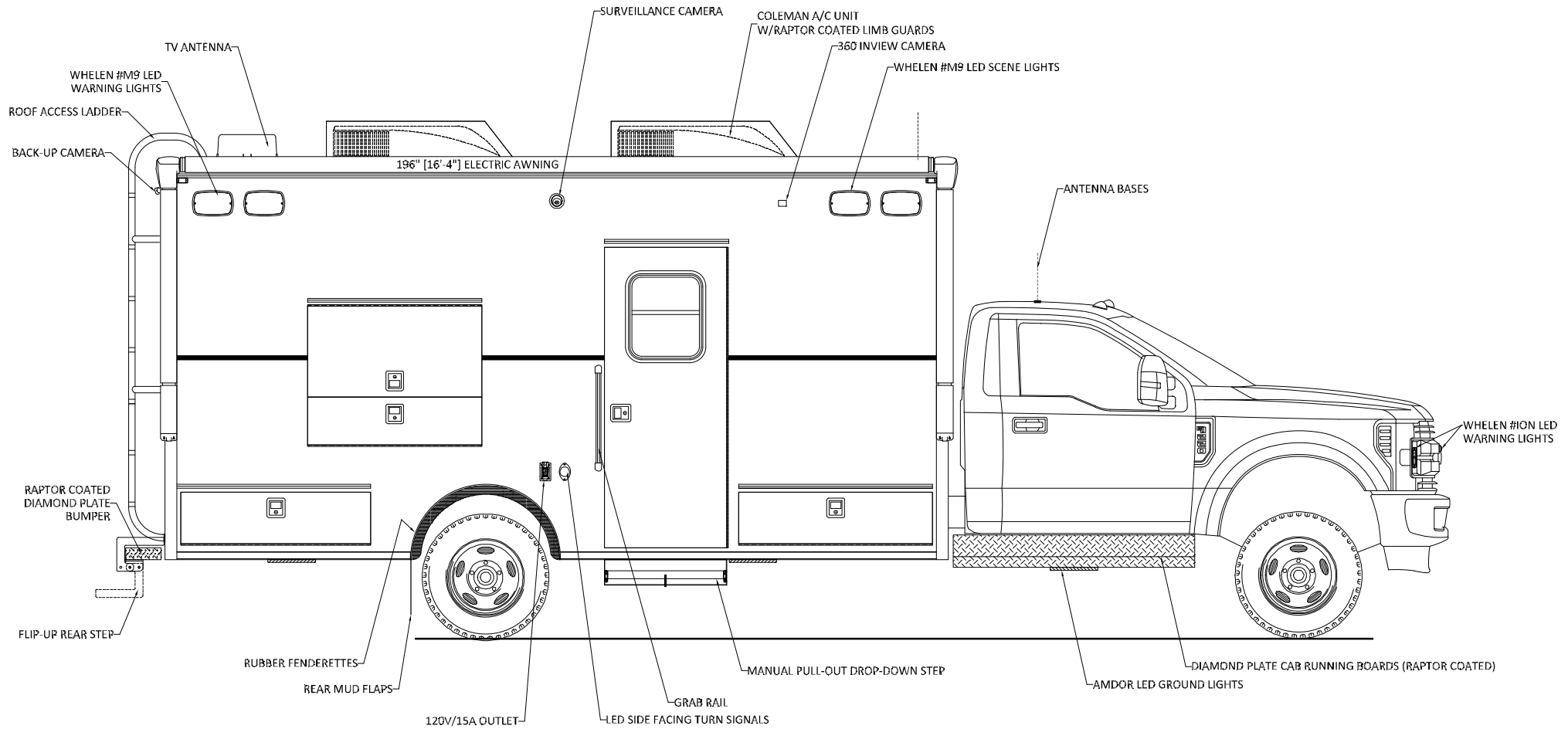
DRAWN BY
L.POTTER

DRAWING NO.
RM3156

DATE
06/29/22

CHANGE ORDER REFERENCE:

STREETSIDE OVERALL



REVISED:

GAINESVILLE POLICE DEPARTMENT
GAINESVILLE, FLORIDA

REVISIONS

1	NP - 02/23/23
2	
3	
4	
5	
6	

SCALE

N.T.S.
ALL DIMS IN INCHES

DRAWN BY

L.POTTER

CHANGE ORDER REFERENCE:

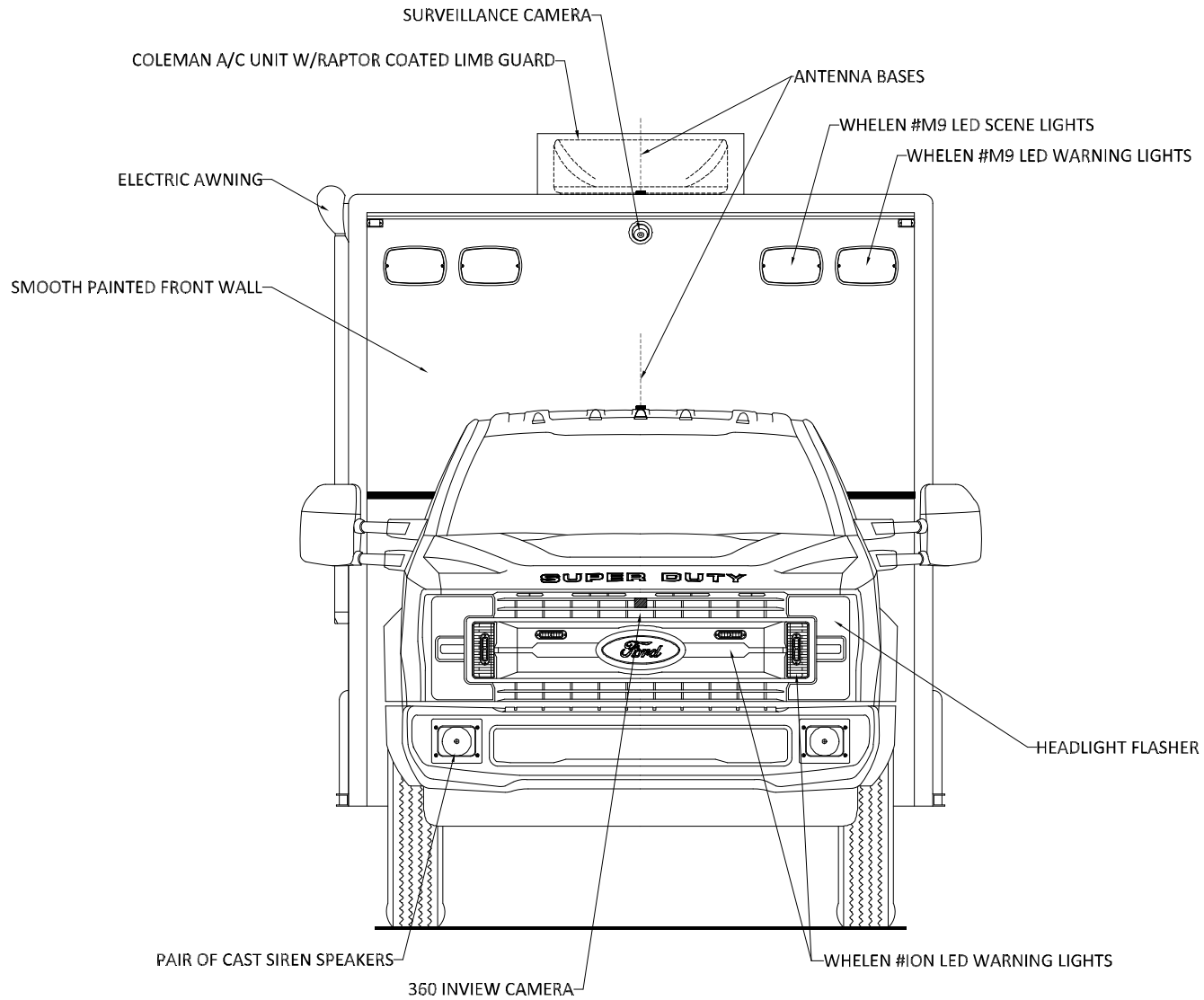
CURBSIDE OVERALL

DRAWING NO.

RM3156

DATE

06/29/22



REVISED:

GAINESVILLE POLICE DEPARTMENT
GAINESVILLE, FLORIDA

REVISIONS

1	NP-02/23/23
2	
3	
4	
5	
6	

SCALE N.T.S.
ALL DIMS IN INCHES

DRAWN BY
L.POTTER

CHANGE ORDER REFERENCE:

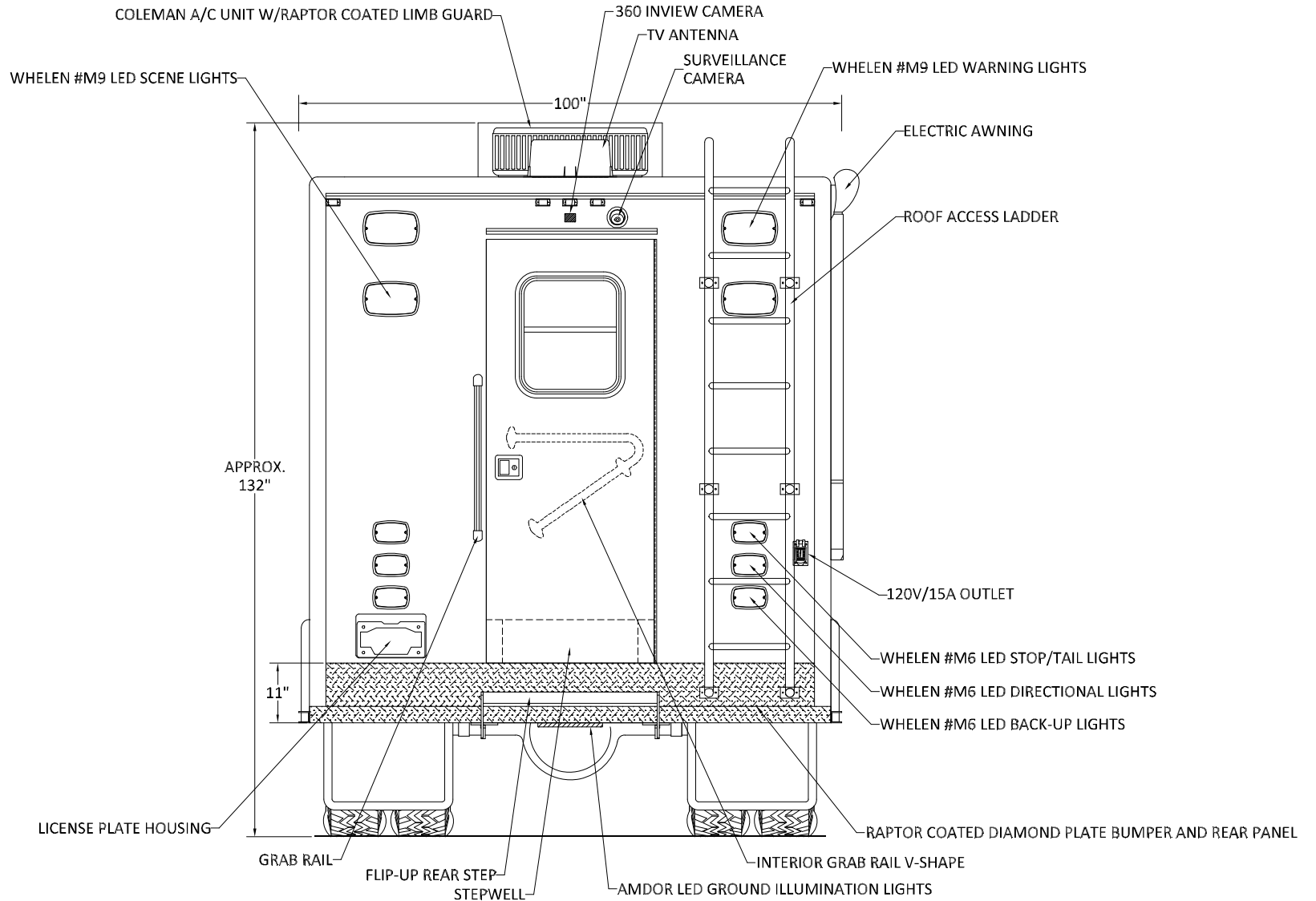
FRONT VIEW

DRAWING NO.

RM3156

DATE

06/29/22



REVISED: 05/23/23

GAINESVILLE POLICE DEPARTMENT
GAINESVILLE, FLORIDA

REVISIONS	
1	NP - 02/23/23
2	
3	
4	
5	
6	

SCALE N.T.S.
ALL DIMS IN INCHES

DRAWING NO.
RM3156

DRAWN BY
L.POTTER

DATE
06/29/22

CHANGE ORDER REFERENCE:

- 1 -

REAR VIEW