

REVISED: 05/09/23

Handwritten signature

STAFFORD COUNTY REHAB
STAFFORD COUNTY, VIRGINIA

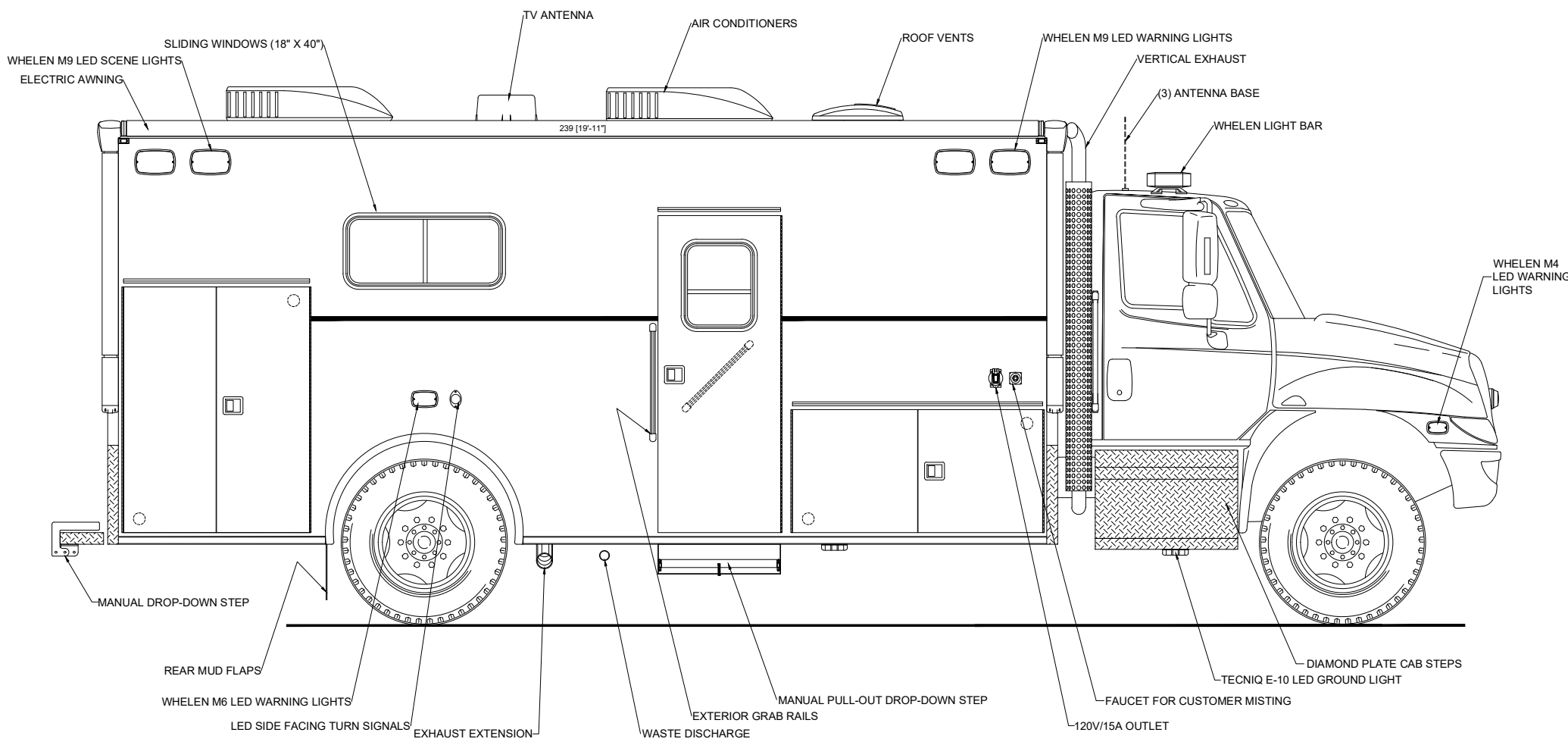
STREETSIDE OVERALL

REVISIONS	
1	NP-03/03/23
2	NP-04/03/23
3	NS-04/07/23PR
4	NS-05/09/23CO
5	
6	

SCALE	N.T.S. ALL DIMS IN INCHES
DRAWING NO.	RM3151

DRAWN BY	N.SUAREZ
DATE	05/06/22

CHANGE ORDER REFERENCE:



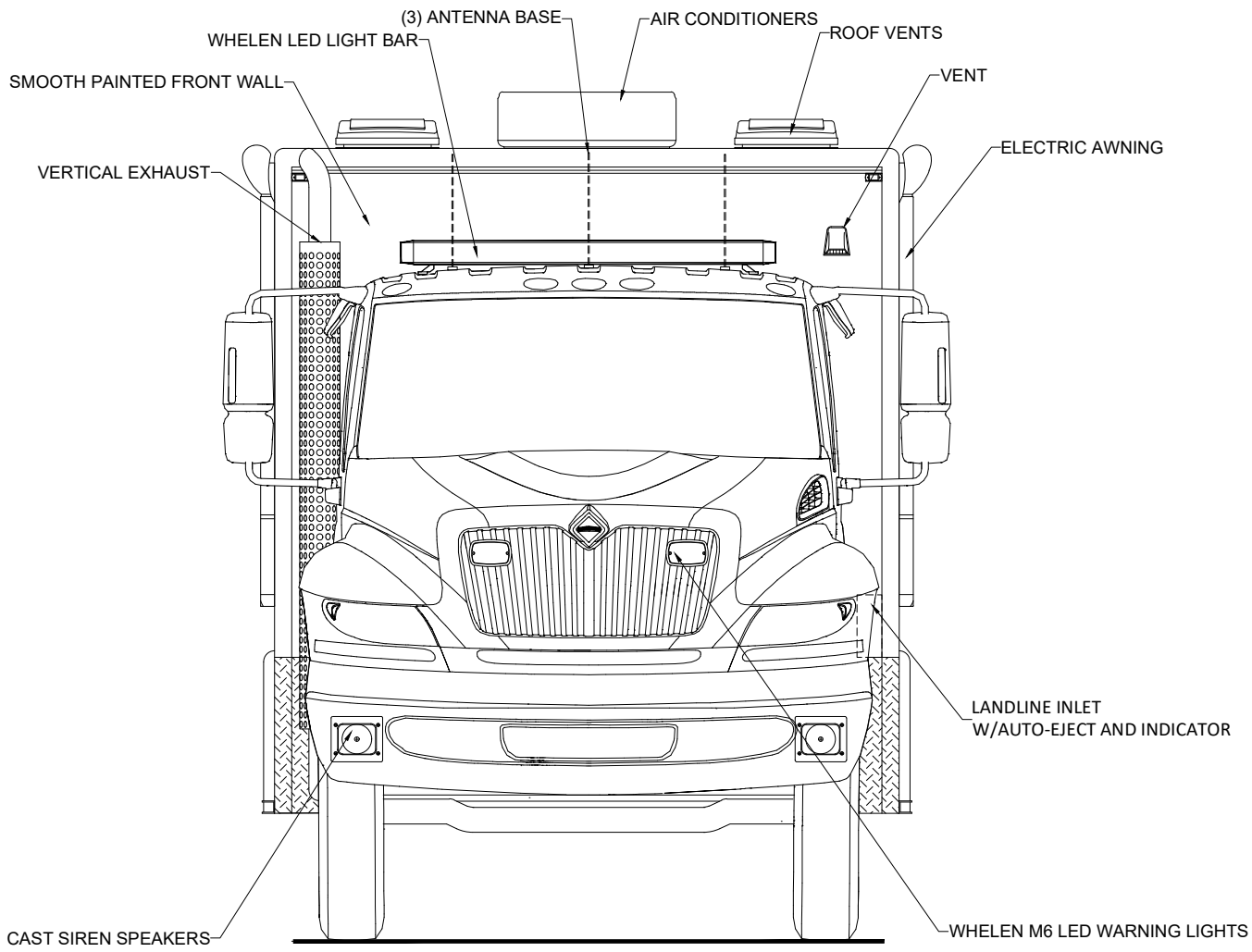
REVISED: 05/09/23

STAFFORD COUNTY REHAB
STAFFORD COUNTY, VIRGINIA

REVISIONS		SCALE	DRAWN BY
1	NP -03/03/23	N.T.S.	N.SUAREZ
2	NP -04/03/23	ALL DIMS IN INCHES	
3	NS -04/07/23PR		
4	NS -05/09/23CO	DRAWING NO.	DATE
5		RM3151	05/06/22
6			

CURBSIDE OVERALL

CHANGE ORDER REFERENCE:



REVISED: NONE

STAFFORD COUNTY REHAB
STAFFORD COUNTY, VIRGINIA

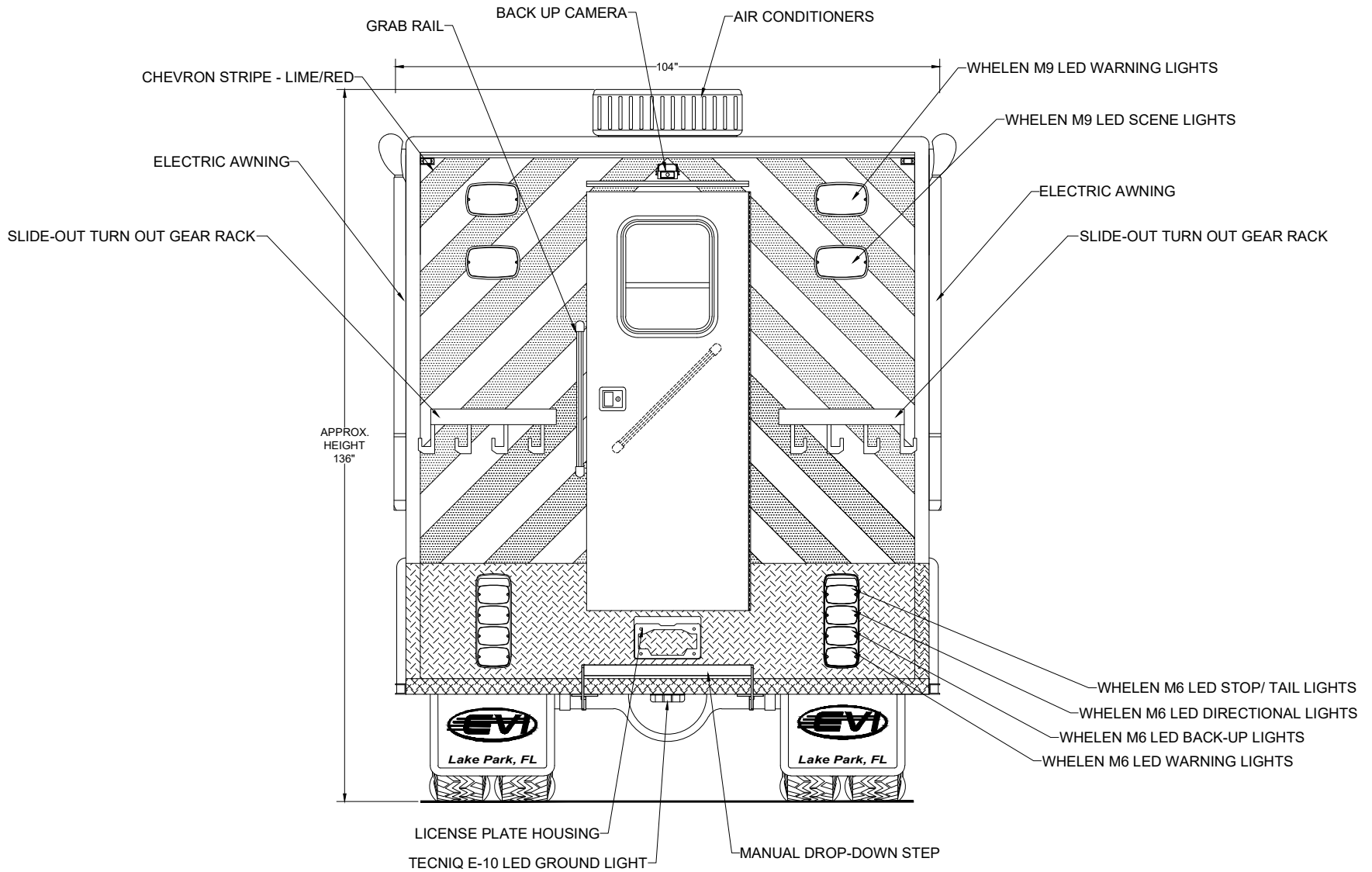
REVISIONS	
1	NP - 03/03/23
2	NP - 04/03/23
3	NS - 04/07/23PR
4	NS - 05/09/23CO
5	
6	

SCALE	N.T.S. ALL DIMS IN INCHES
DRAWING NO.	RM3151

DRAWN BY	N.SUAREZ
DATE	05/06/22

CHANGE ORDER REFERENCE:

FRONT VIEW



REVISED: NONE

Handwritten signature

STAFFORD COUNTY REHAB
STAFFORD COUNTY, VIRGINIA

REVISIONS	
1	NP -03/03/23
2	NP -04/03/23
3	NS -04/07/23PR
4	NS -05/09/23CO
5	
6	

SCALE	N.T.S. ALL DIMS IN INCHES
DRAWING NO.	RM3151

DRAWN BY	N.SUAREZ
DATE	05/06/22

REAR VIEW

CHANGE ORDER REFERENCE: