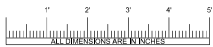
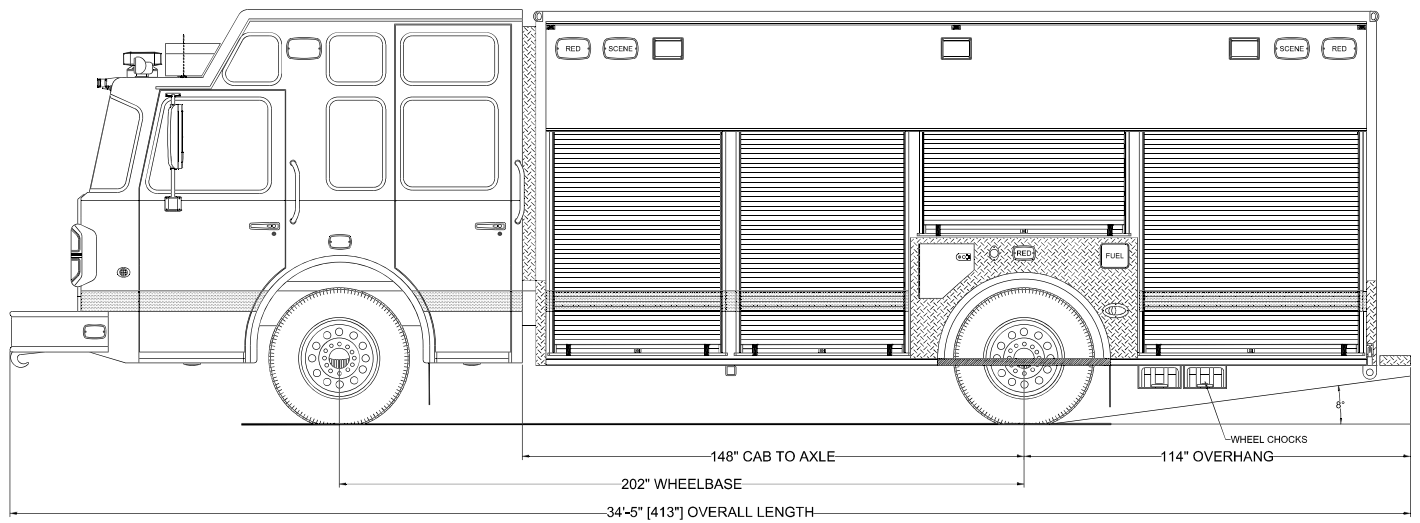




705 13TH STREET, LAKE PARK, FL
800-848-6652

Brockton Fire Department
Brockton, Massachusetts



Streetside Overall

NOTICE
THIS DRAWING IS A REPRESENTATION OF THE VEHICLE AND/OR COMPONENTS AS DESCRIBED IN THE SPECIFICATIONS PER THE DATE SHOWN. EVI RESERVES THE RIGHT TO MAKE CHANGES, AS NECESSARY, DURING THE PRODUCTION PROCESS TO ACCOMMODATE BEST MANUFACTURING PROCESSES AND TO ENSURE WE PROVIDE A CONSISTENTLY HIGH QUALITY PRODUCT.

| | | |
|------------|----|----------|
| REVISION 1 | NS | 11/05/20 |
| REVISION 2 | NS | 01/19/21 |
| REVISION 3 | - | - |
| REVISION 4 | - | - |
| REVISION 5 | - | - |
| REVISION 6 | - | - |

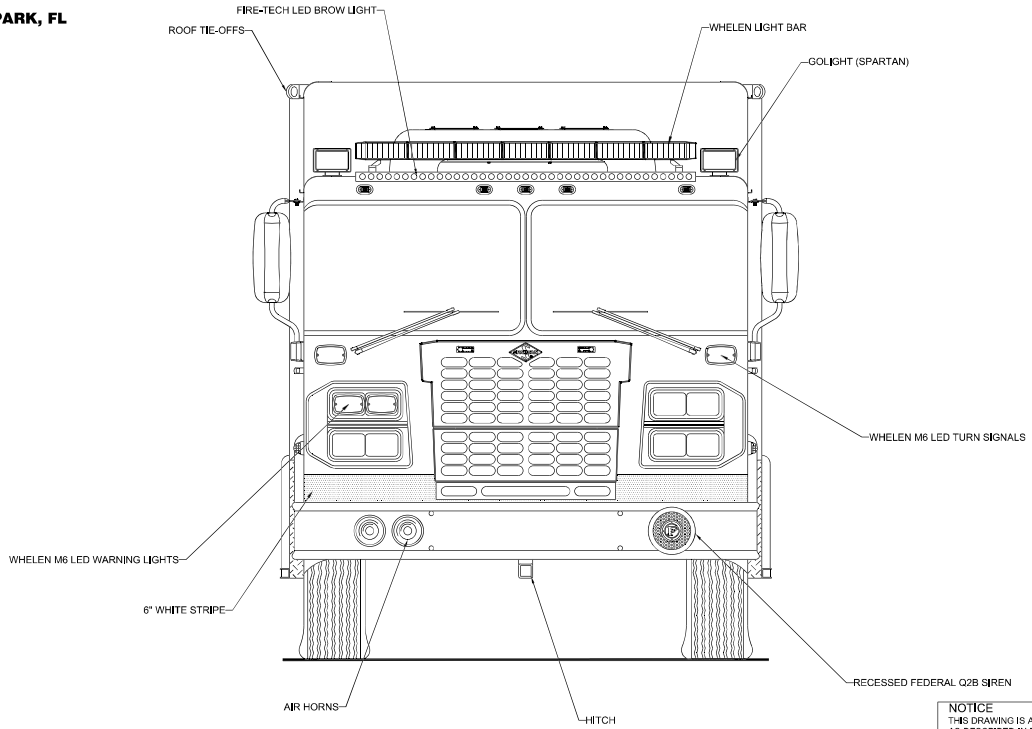
THESE DESIGN/ENGINEERING DRAWINGS ARE THE PROPERTY OF EMERSON CIVIL SERVICES, INC. THEY ARE LOANED TO YOU AND ARE NOT TO BE REPRODUCED OR COPIED IN ANY MANNER WITHOUT THE WRITTEN PERMISSION OF EMERSON CIVIL SERVICES, INC. DATE: 10/08/20

PRODDWG\3094_BROCKTON_MA\3094_20WICA\NS\100610



705 13TH STREET, LAKE PARK, FL
800-848-6652

*Brockton Fire Department
Brockton, Massachusetts*



Front View

NOTICE
THIS DRAWING IS A REPRESENTATION OF THE VEHICLE AND/OR COMPONENTS AS DESCRIBED IN THE SPECIFICATIONS PER THE DATE SHOWN. EVI RESERVES THE RIGHT TO MAKE CHANGES, AS NECESSARY, DURING THE PRODUCTION PROCESS TO ACCOMMODATE BEST MANUFACTURING PROCESSES AND TO ENSURE WE PROVIDE A CONSISTENTLY HIGH QUALITY PRODUCT.

| | |
|------------|---------------|
| REVISION 1 | NS - 11/05/20 |
| REVISION 2 | NS - 01/19/21 |
| REVISION 3 | - |
| REVISION 4 | - |
| REVISION 5 | - |
| REVISION 6 | - |

THESE DESIGN/ENGINEERING DRAWINGS ARE THE PROPERTY OF EMERGENCY SERVICES, INC. THEY ARE LOANED TO YOU AND ARE NOT TO BE REPRODUCED OR COPIED IN ANY MANNER WITHOUT THE WRITTEN PERMISSION OF EMERGENCY SERVICES, INC. DATE: 10/08/20

