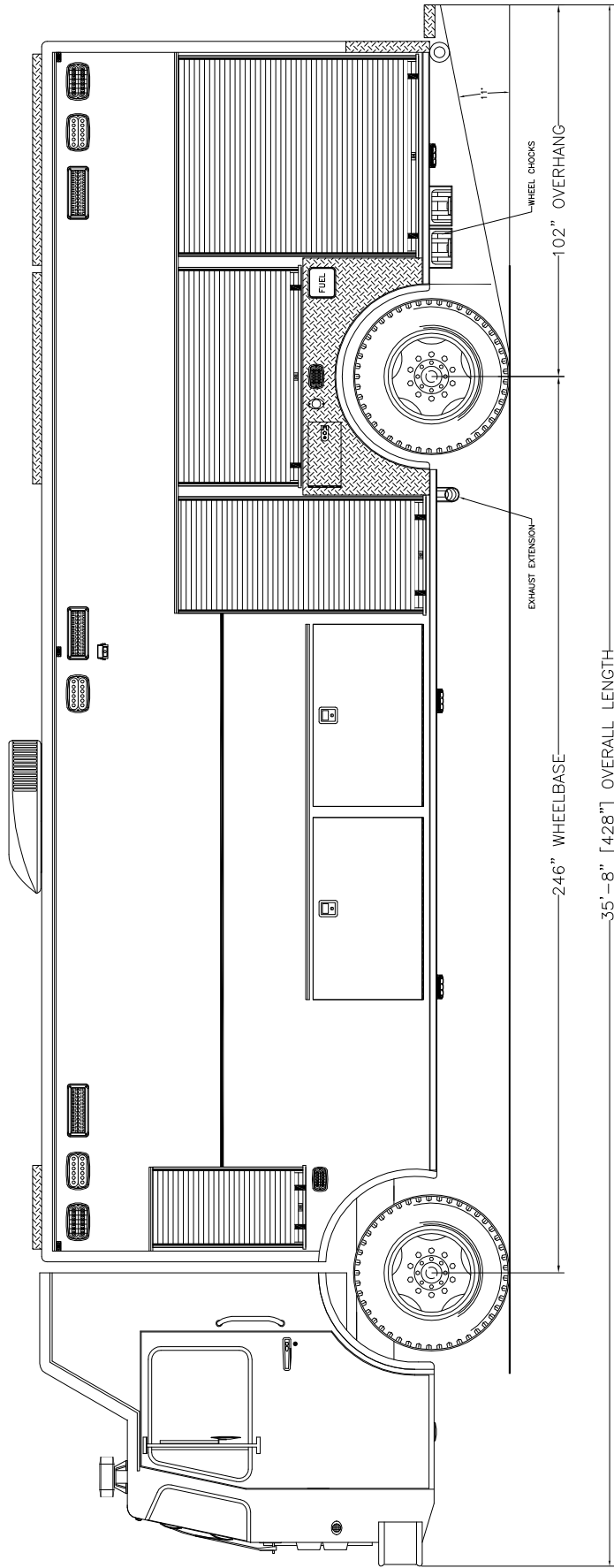


705 13TH STREET, LAKE PARK, FL
800-848-6652

Orange County, New York

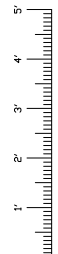


35'-8" [428"] OVERALL LENGTH

PRELIMINARY
THESE REVISED DRAWINGS ARE THE PROPERTY OF ENGINEERING PROJECTS, INC. AND ARE FOR THE EXCLUSIVE USE OF YOUR ENTITY. ANY DIVULGING OF THIS DATA TO A THIRD PARTY IS PROHIBITED.

EJ
DATE: 04/07/16

REVISION 1	
REVISION 2	
REVISION 3	
REVISION 4	
REVISION 5	

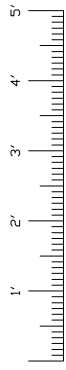
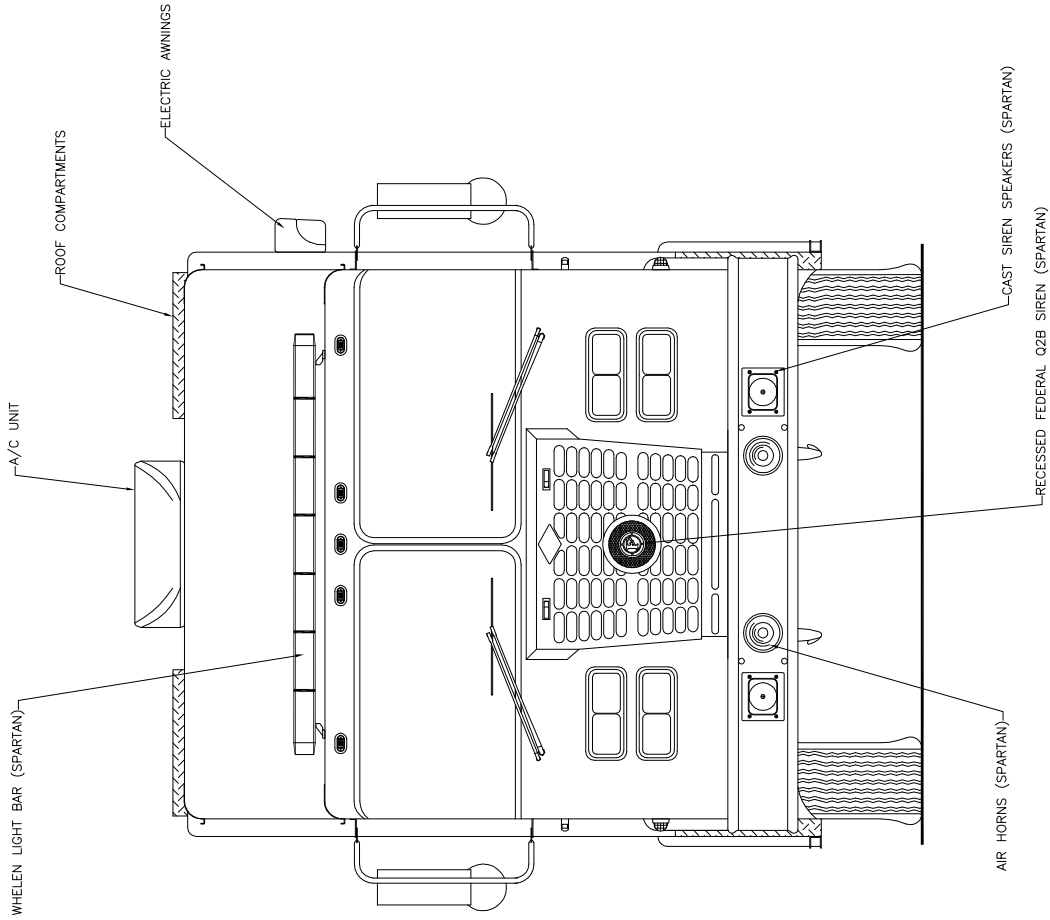


Streetside Overall



705 13TH STREET, LAKE PARK, FL
800-848-6652

Orange County, New York



Front View

PRELIMINARY

THESE DESIGN ENGINEERING PRODUCTS ARE THE PROPERTY OF EVI ENGINEERING AND SHALL BE USED ONLY FOR THE PROJECT AND SITE SPECIFICALLY IDENTIFIED HEREIN. ANY UNAUTHORIZED REPRODUCTION OR USE OF YOUR ENTITY WITHOUT THE WRITTEN CONSENT OF EVI ENGINEERING IS PROHIBITED.

EVI

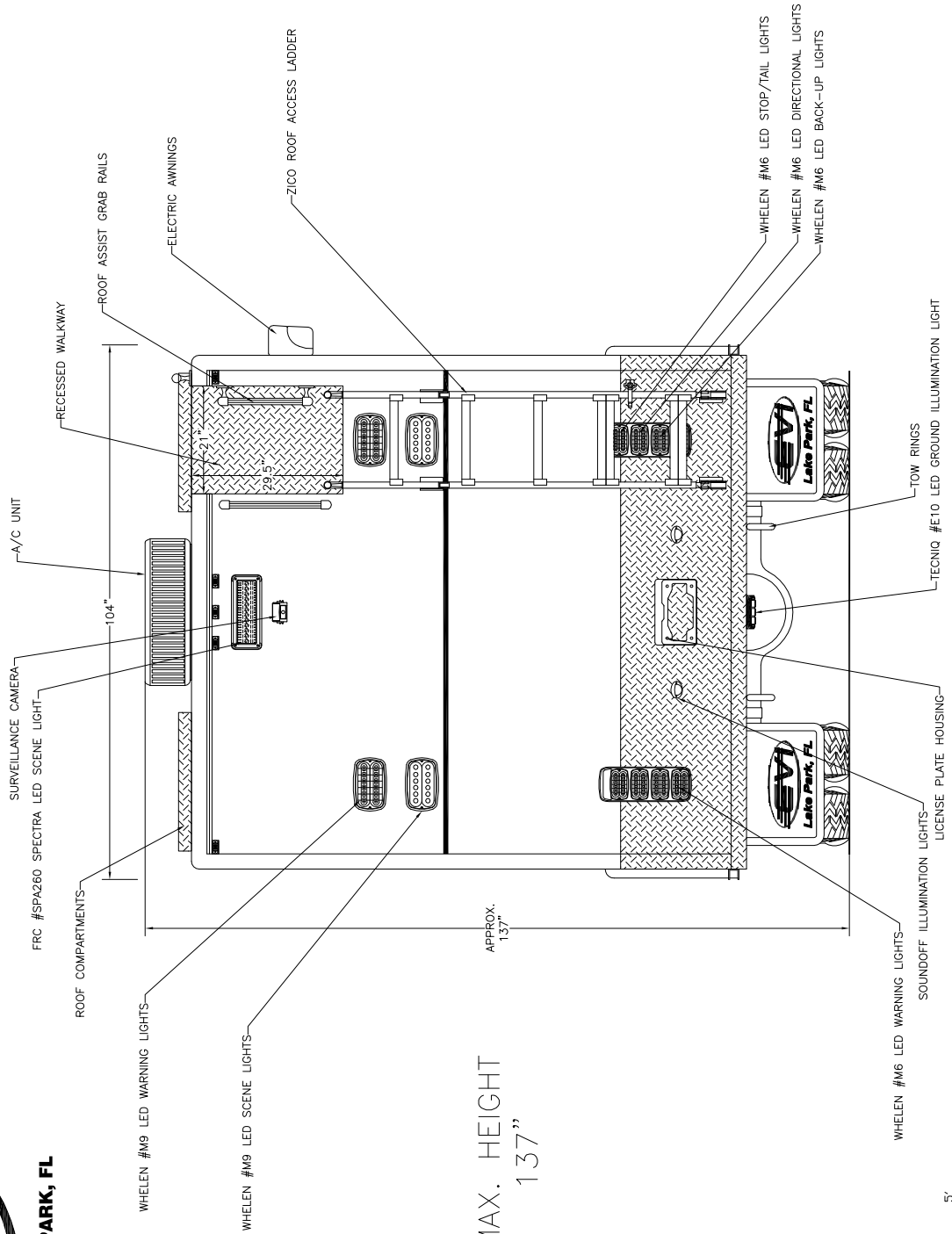
DATE: 04/07/16

REVISION 1
REVISION 2
REVISION 3
REVISION 4
REVISION 5

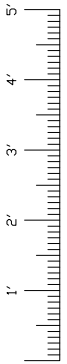


**705 13TH STREET, LAKE PARK, FL
800-848-6652**

Orange County, New York



MAX. HEIGHT
137"



Rear View

PRELIMINARY

THESE DESIGN/ENGINEERING DRAWINGS ARE THE PROPERTY OF EVI ENGINEERING, INC. AND ARE FOR THE EXCLUSIVE USE OF YOUR ENTITY. ANY DIVULGING OF THIS DATA TO A THIRD PARTY IS PROHIBITED.

EVI ENGINEERING

DATE: 04/07/16

REVISION 1
REVISION 2
REVISION 3
REVISION 4
REVISION 5