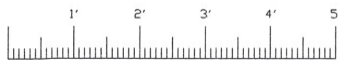
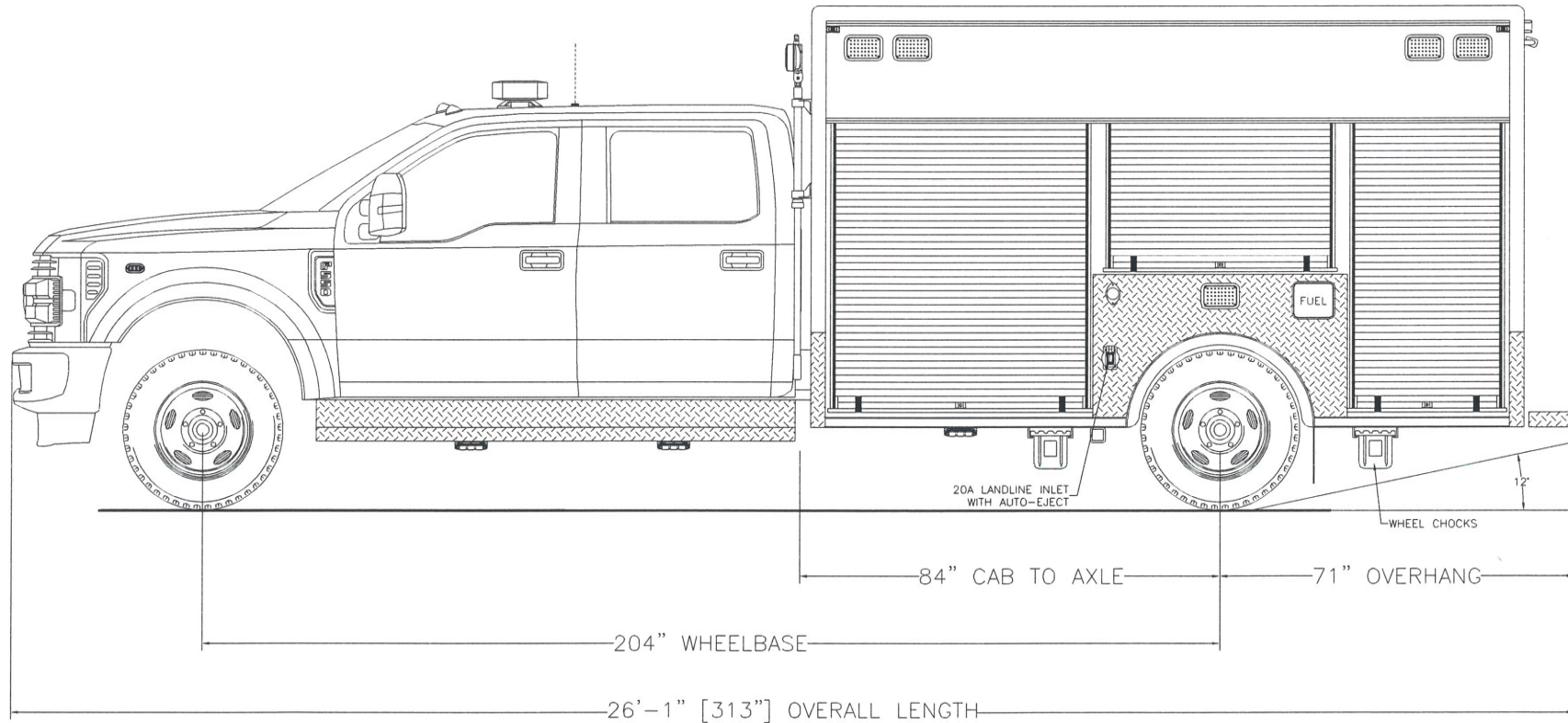




705 13TH STREET, LAKE PARK, FL
800-848-6652

REVISED
01-14-19

*Parker Fire Department
Parker, Pennsylvania*



Streetside Overall

THESE DESIGN/ENGINEERING DRAWING(S) ARE THE PROPERTY OF EMERGENCY VEHICLES, INC. THEY ARE PROPRIETARY, AND ARE FOR THE EXCLUSIVE USE OF YOUR ENTITY. ANY DIVULGING OF THIS DATA TO A THIRD PARTY IS PROHIBITED.

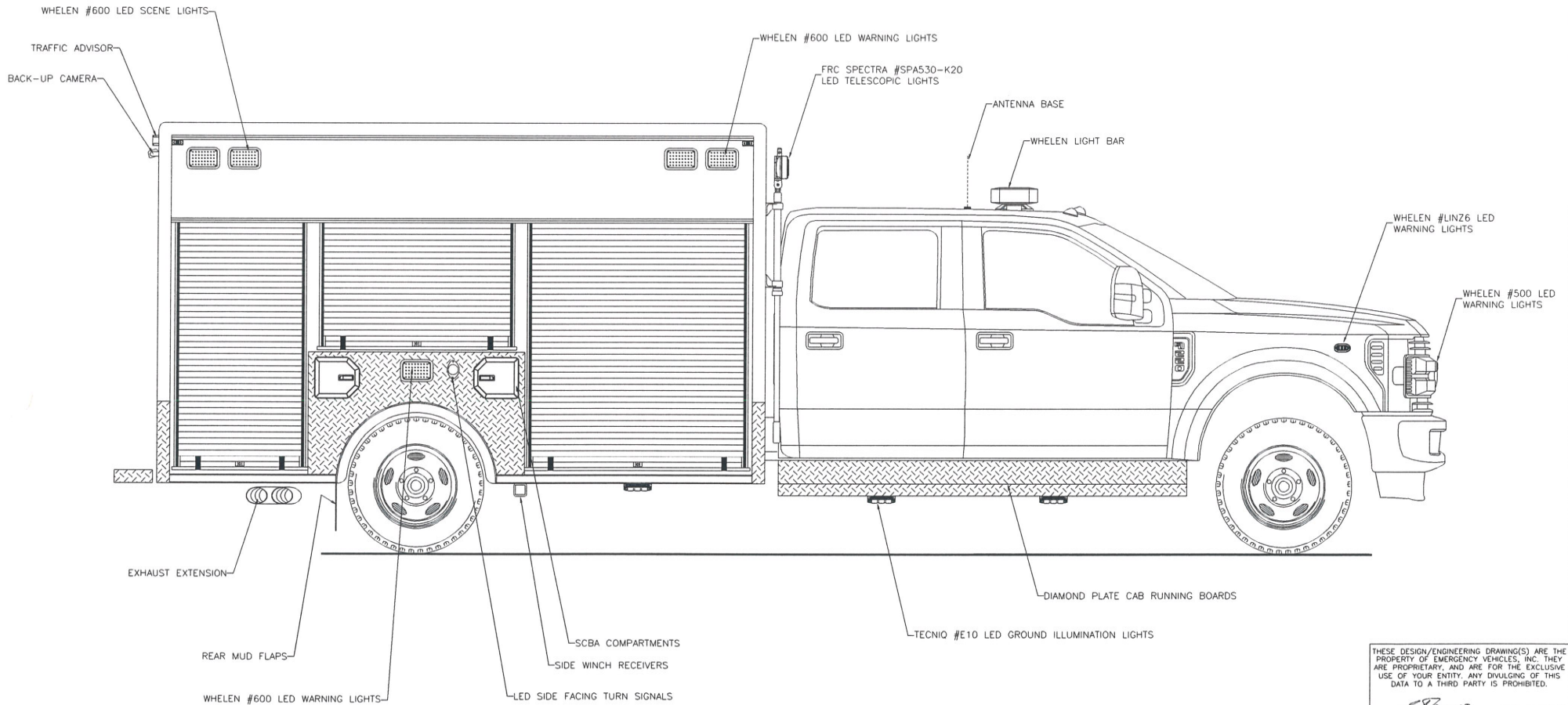
<i>E. J. [Signature]</i>		DATE: 08/17/17
REVISION 1	ACS - 09/13/17	
REVISION 2	NS - 11/03/17	
REVISION 3	ACS - 11/16/17	
REVISION 4	NS - 12/11/18	
REVISION 5	BL - 01/14/19	



705 13TH STREET, LAKE PARK, FL
800-848-6652

REVISED
01-14-19

Parker Fire Department Parker, Pennsylvania



Curbside Overall

THESE DESIGN/ENGINEERING DRAWING(S) ARE THE PROPERTY OF EMERGENCY VEHICLES, INC. THEY ARE PROPRIETARY, AND ARE FOR THE EXCLUSIVE USE OF YOUR ENTITY. ANY DIVULGING OF THIS DATA TO A THIRD PARTY IS PROHIBITED.

E. J. Spencer DATE: 08/17/17

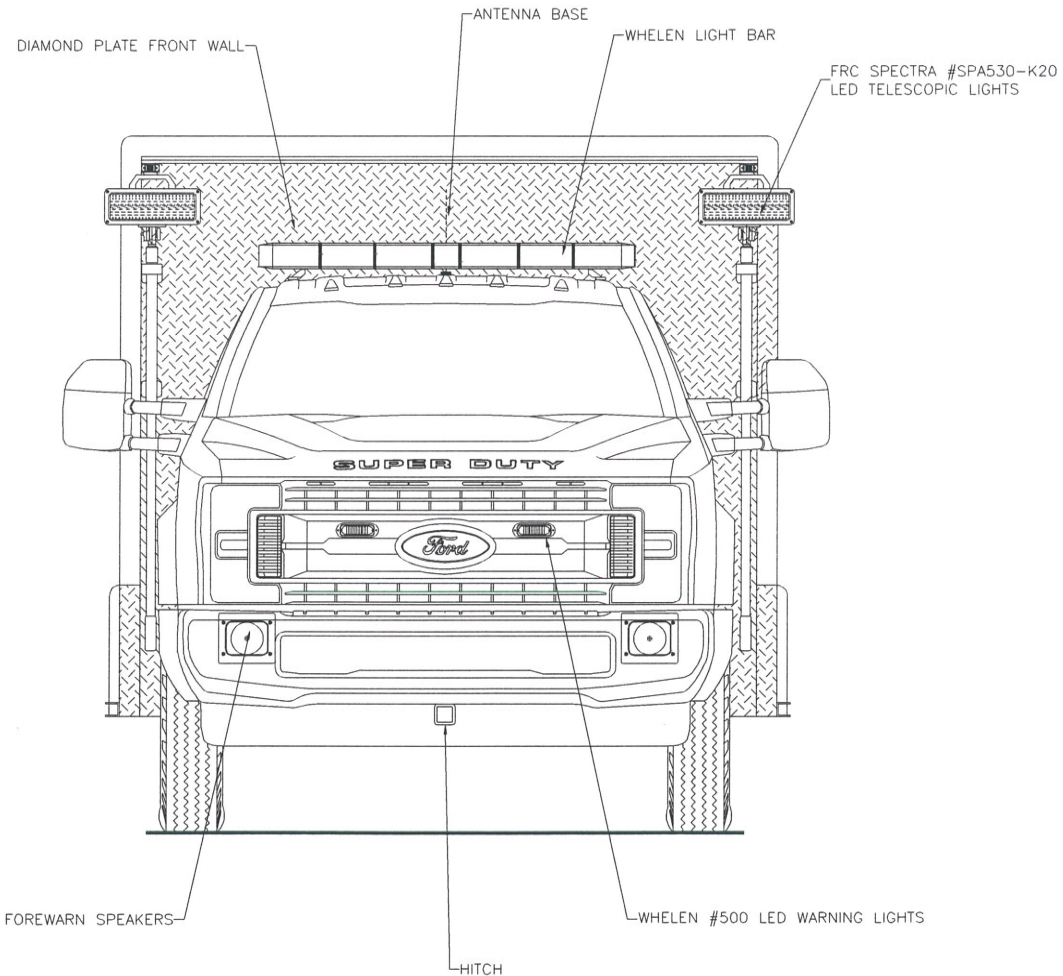
REVISION 1	ACS - 09/13/17
REVISION 2	NS - 11/03/17
REVISION 3	ACS - 11/16/17
REVISION 4	NS - 12/11/18
REVISION 5	BL - 01/14/19



705 13TH STREET, LAKE PARK, FL
800-848-6652

Parker Fire Department Parker, Pennsylvania

REVISED
01-14-19



Front View

THESE DESIGN/ENGINEERING DRAWING(S) ARE THE PROPERTY OF EMERGENCY VEHICLES, INC. THEY ARE PROPRIETARY, AND ARE FOR THE EXCLUSIVE USE OF YOUR ENTITY. ANY DIVULGING OF THIS DATA TO A THIRD PARTY IS PROHIBITED.

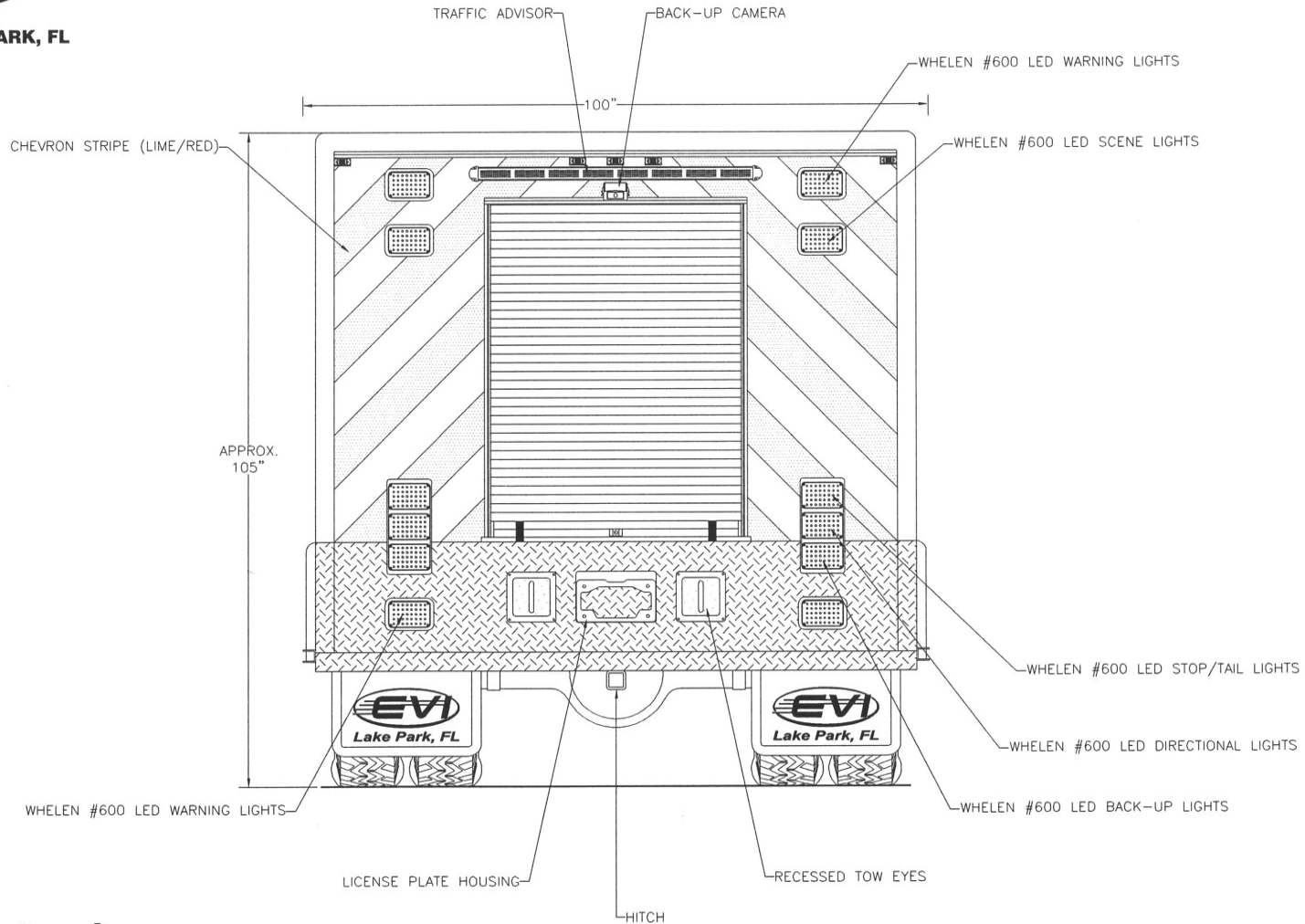
E. J. [Signature] DATE: 08/17/17

REVISION 1	ACS - 09/13/17
REVISION 2	NS - 11/03/17
REVISION 3	ACS - 11/16/17
REVISION 4	BL - 01/14/19
REVISION 5	-



705 13TH STREET, LAKE PARK, FL
800-848-6652

Parker Fire Department Parker, Pennsylvania



Rear View

THESE DESIGN/ENGINEERING DRAWING(S) ARE THE PROPERTY OF EMERGENCY VEHICLES, INC. THEY ARE PROPRIETARY, AND ARE FOR THE EXCLUSIVE USE OF YOUR ENTITY. ANY DIVULGING OF THIS DATA TO A THIRD PARTY IS PROHIBITED.

E. Vance DATE: 08/17/17

REVISION 1	ACS - 09/13/17
REVISION 2	NS - 11/03/17
REVISION 3	ACS - 11/16/17
REVISION 4	-
REVISION 5	-